

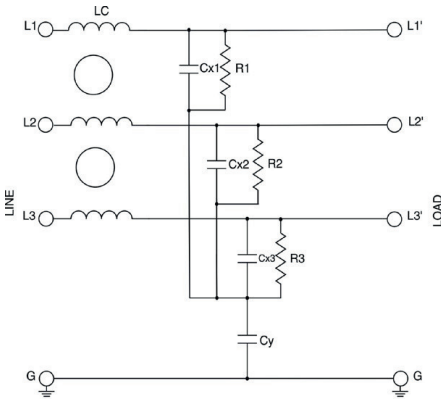
Features

- Standard Attenuation Performance
- Rated up to 60A
- Chassis mounting 3 Phase Filter
- Low Cost

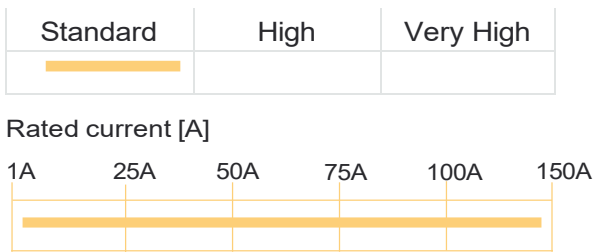
Applications

- CNC Machines
- Electronic Equipment
- Rectifier
- UPS/Inverters

Typical Circuit Diagram



Performance Indicator






Approvals & Compliances



Technical Specifications

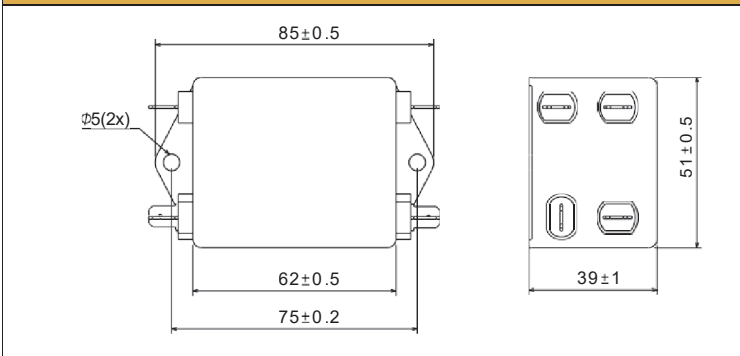
Maximum Continuous Operating Voltage	440/520VAC
Operating Frequency	50/60 Hz
Current ratings	1A to 150A @ 40°C
High Potential test voltage	L to G 2660Vdc for 1 Minute L to L 1950Vdc for 1 Minute
Overload Capability	135% of Rated current for 15 minutes
Design Corresponding to	UL 60939-3, CSA 22.2 No.8-13 and IEC60939-1&2
Flammability corresponding to	UL 94 V-0
Temperature range	-25°C to +85°C
Climatic Category	25/85/21

Selection Table

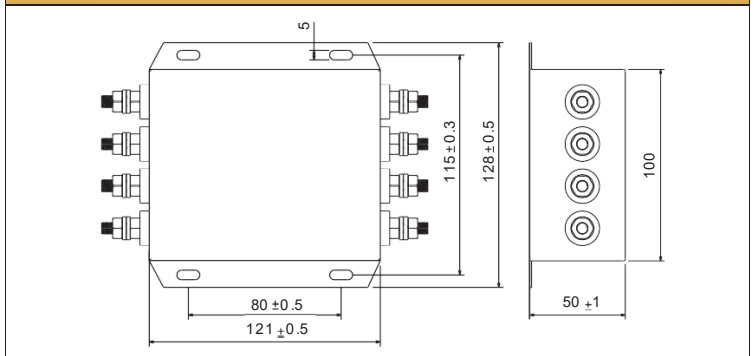
Available Part Numbers (for 440VAC)	Available Part Numbers (for 520VAC)	Leakage Current (mA)	Rated Current @40°C	Termination			Weight (Kg)
							
AMI-3355-1-1	AMI-3355H-1-1	3	1A	6.3 X 0.8			0.26
AMI-3355-3-1	AMI-3355H-3-1	3	3A	6.3 X 0.8			0.26
AMI-3355-6-1	AMI-3355H-6-1	3	6A	6.3 X 0.8			0.26
AMI-3355-10-1	AMI-3355H-10-1	3	10A	6.3 X 0.8			0.26
AMI-3355-15-M5	AMI-3355H-15-M5	3	15A		M5		0.7
AMI-3355-16-M5	AMI-3355H-16-M5	3	16A		M5		0.7
AMI-3355-20-M5	AMI-3355H-20-M5	3	20A		M5		0.7
AMI-3355-25-M5	AMI-3355H-25-M5	5	25A		M5		0.7
AMI-3355-26-M5	AMI-3355H-26-M5	5	26A		M5		0.7
AMI-3355-30-M5	AMI-3355H-30-M5	5	30A		M5		0.7
AMI-3355-32-M5	AMI-3355H-32-M5	5	32A		M5		0.7
AMI-3355-40-M5	AMI-3355H-40-M5	5	40A		M5		0.7
AMI-3355-50-M6	AMI-3355H-50-M6	5	50A		M6		1.2
AMI-3355-60-M6	AMI-3355H-60-M6	5	60A		M6		1.2
AMI-3355-75-M8	AMI-3355H-75-M8	6	75A		M8		8
AMI-3355-75-16	AMI-3355H-75-16	6	75A			16	8
AMI-3355-80-M8	AMI-3355H-80-M8	6	80A		M8		8
AMI-3355-80-25	AMI-3355H-80-25	6	80A			25	8
AMI-3355-100-M10	AMI-3355H-100-M10	6	100A		M10		8
AMI-3355-100-25	AMI-3355H-100-25	6	100A			25	8
AMI-3355-125-M10	AMI-3355H-125-M10	8	125A		M10		8
AMI-3355-150-M10	AMI-3355H-150-M10	8	150A		M10		8

Mechanical Drawing

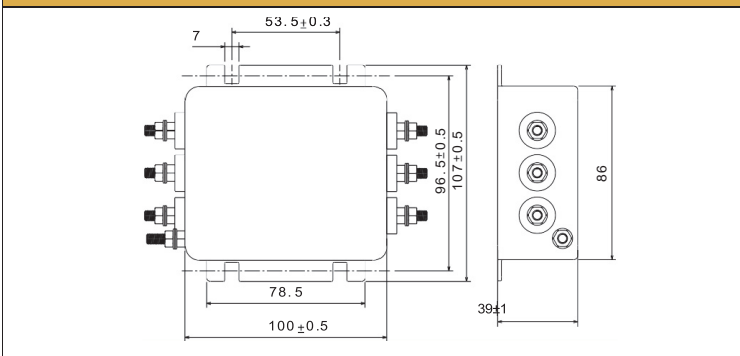
1A to 10A



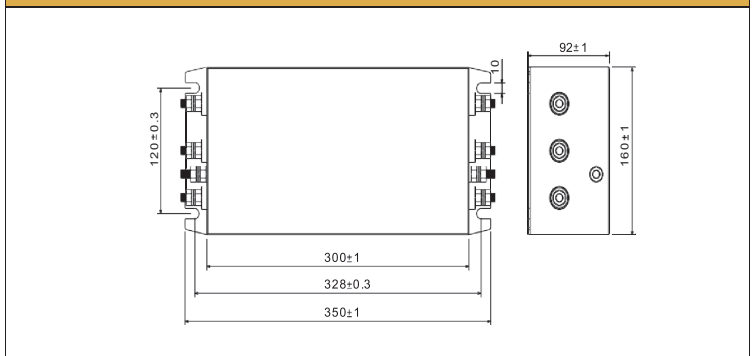
50A to 60A



15A to 40A



75A to 150A



Connectors Cross Sections

	16	25
Wire Section (mm ²)	16mm ²	25mm ²
Wire Section (AWG)	6 AWG	4 AWG
Wire Stripping	Max 17mm	Max 17mm
Max Recommended Torque	2 Nm / 18 in.lbs	2 Nm / 18 in.lbs

For Screw Type Connections

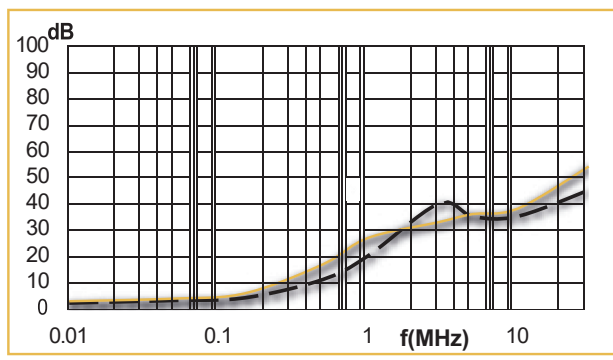
Thread Size	M5	M6	M8	M10
Recommended Torque (Nm)	2-2.2	3.5-4	8-9	15-17
Earth Terminal (Nm)	2-2.2	3.5-4	8-9	15-17

Typical Insertion Loss

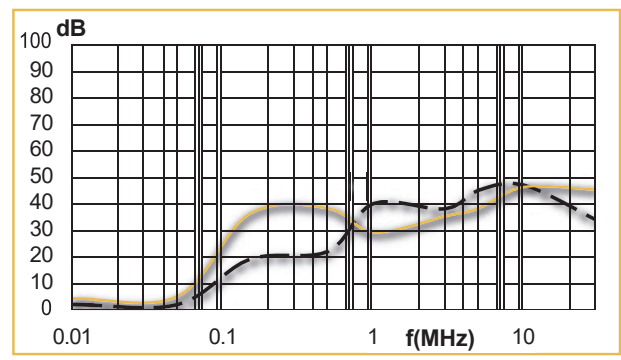
According to CISPR17 in 50 Ω system

— Common Mode / Asymmetrical (L-G)
— Differential Mode / Symmetrical (L-L)

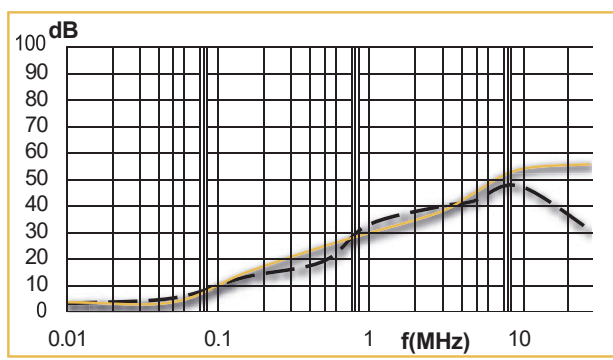
1A



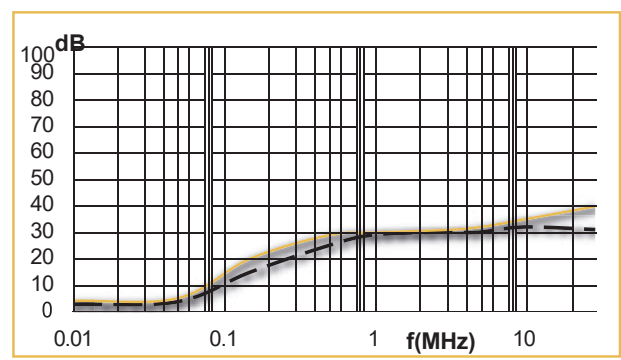
3A



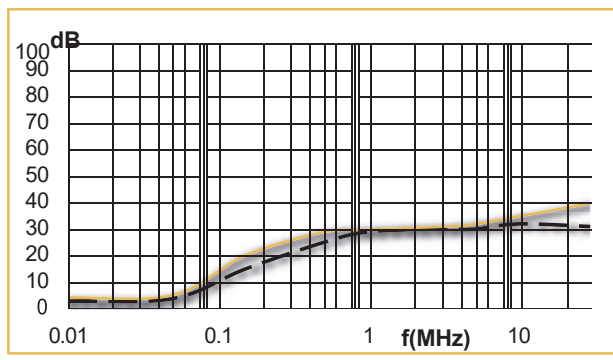
6A



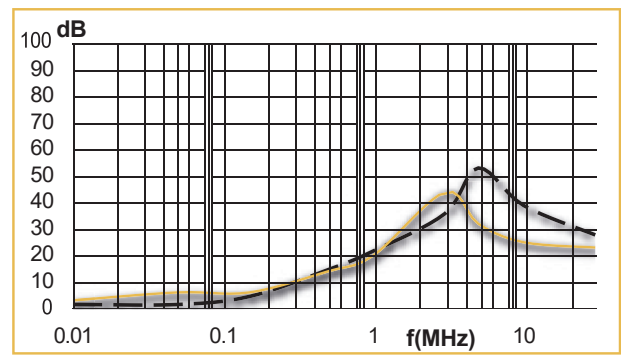
10A



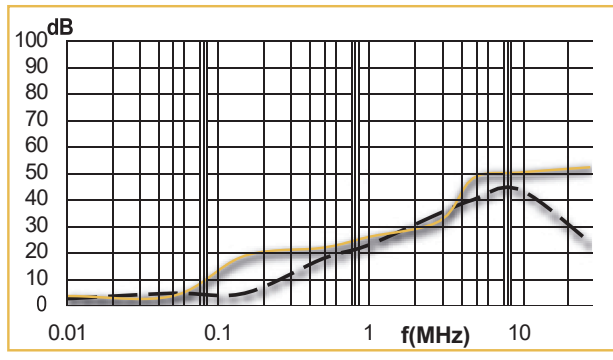
15A



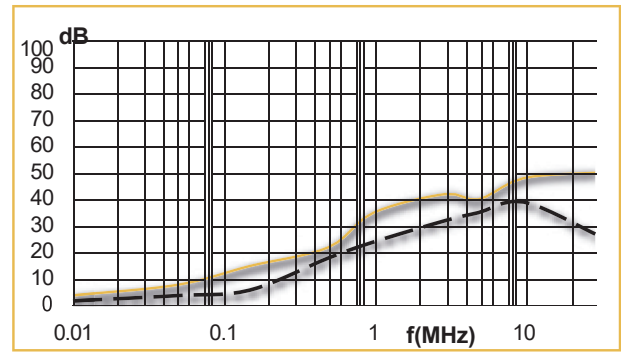
20A



25A



30A

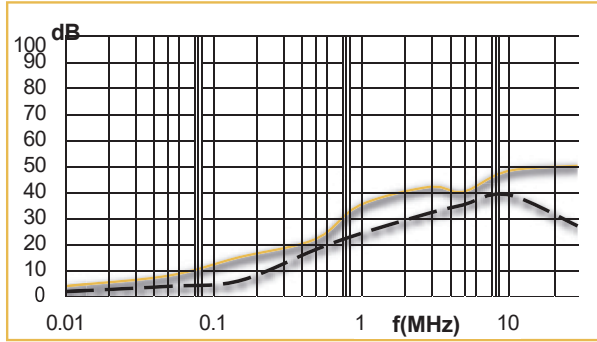


Typical Insertion Loss

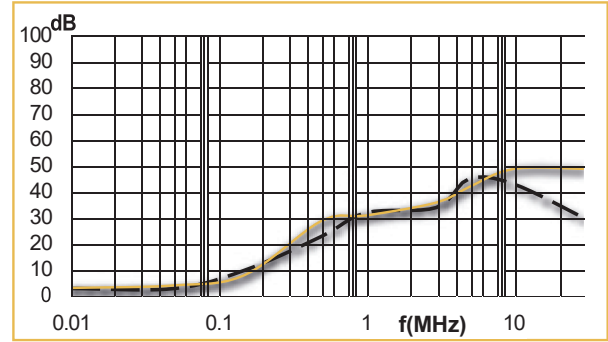
According to CISPR17 in 50 Ω system

— Common Mode / Asymmetrical (L-G)
— Differential Mode / Symmetrical (L-L)

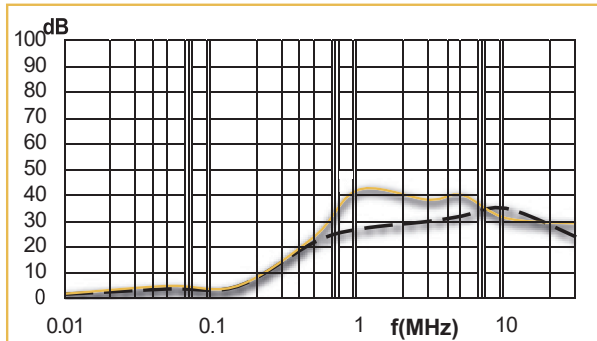
40A



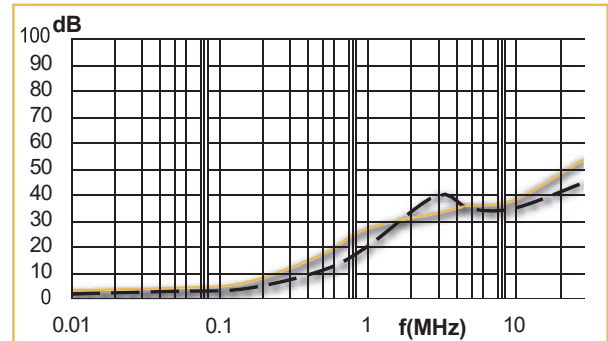
50A



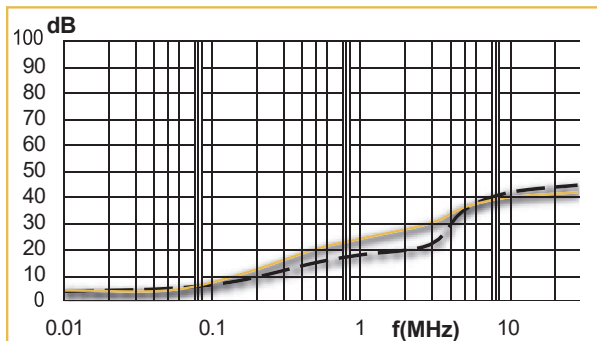
60A



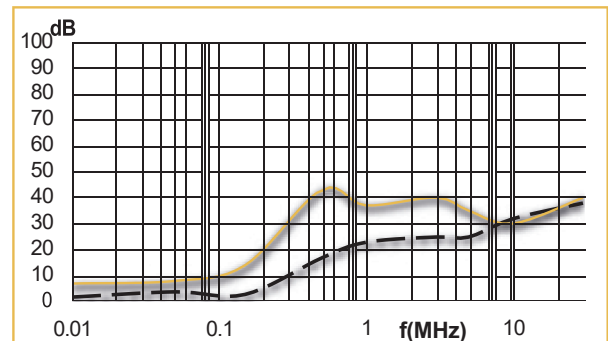
75A



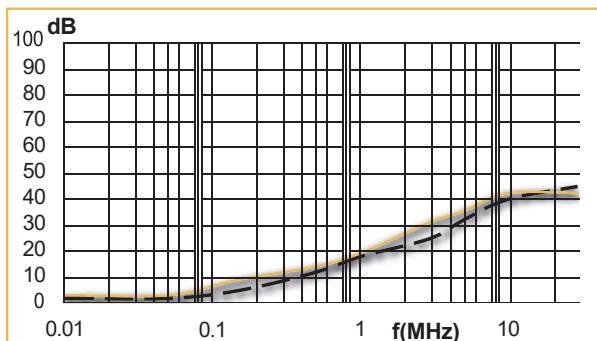
80A



100A



125A



150A

