

# General EMI Filter with High Attenuation Performance

## General Purpose EMI Filter AMI-22 Series



- Rated current from 1 to 60 A
- Single stage filter
- High differential-mode performance
- Optional medical version (Type B)
- Optional safety version (Type A)

### Approvals:



### Technical Specifications

Maximum continuous operating voltage: 250VAC, 50/60Hz

Operating frequency: DC to 400Hz

Rated currents: 1 to 60A @ 40°C max.

High potential test voltage: L → PE 3000VDC for 2 sec (standard types)

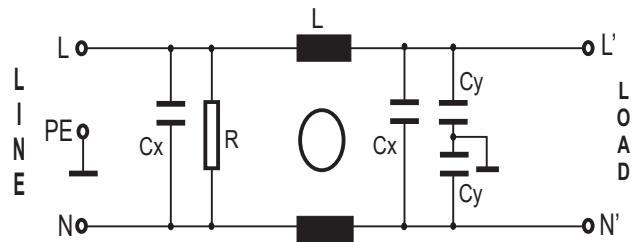
L → PE 3500VDC for 2 sec (B types)

L → N 1100VDC for 2 sec

Temperature range (operation and storage): -25°C to +100°C (25/100/21)

Design corresponding to: UL 1283

### CIRCUIT DIAGRAM:



### Features and Benefits

- AMI-22 Single-stage filters are designed for easy and fast chassis mounting.
- The AMI-22 filters are also available as B versions with no Y-capacitors for medical applications as well as A versions with low capacitance for safety critical applications with requirements for low leakage currents.
- All filters provide a general purpose conducted attenuation performance, based on chokes with high saturation resistance and excellent thermal behavior.
- The AMI-22 Filter can be use to cover broad range of uses and they offer a good size/amperage ratio.
- AMI-22 filters are also available as dual stage filters (AMI-26 & AMI-27 series).
- Various terminal options allow you to select the desired connection style.

### Typical Applications

- Consumer electronics
- Computing & accessories
- Residential appliances
- Medical accessories
- Electronic data processing equipment
- Office equipment
- Power supplies

# General EMI Filter with High Attenuation Performance



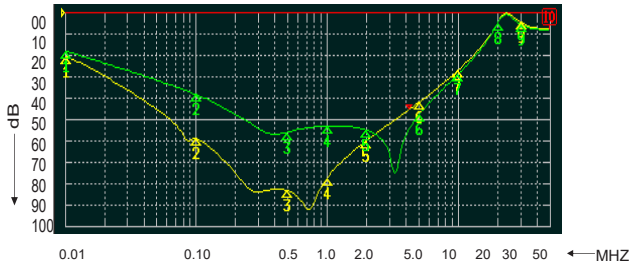
## FILTER SELECTION TABLE

	Rated current @40°C (25°C)	Leakage current @ 250VAC/50Hz (@ 120VAC/60Hz)	Inductance $\Sigma L$	Capacitance $\Sigma Cx$	Capacitance $\Sigma Cy$	Resistance $\Sigma R$	Connetion type		
	A	mA	mH	$\mu F$	nF	$K_{\Omega}$			
AMI-22-1-X	1 (1.15)	0.74 (0.43)	12	0.3	9.4	1000	1	3	
AMI-22-3-X	3 (3.45)	0.74 (0.43)	2.5	0.3	9.4	1000	1	3	
AMI-22-6-X	6 (6.90)	0.74 (0.43)	1.0	0.3	9.4	1000	1	3	
AMI-22-10-X	10 (11.5)	0.74 (0.43)	0.8	0.3	9.4	1000	1	3	
AMI-22-12-X	12 (13.8)	0.74 (0.43)	0.7	0.3	9.4	1000	1	3	
AMI-22-13-X	13 (15.0)	0.74 (0.43)	0.65	0.3	9.4	1000	1	3	
AMI-22-16-X	16 (18.4)	0.74 (0.43)	0.65	0.3	9.4	1000	1	3	
AMI-22-20-X	20 (23.0)	1.57 (0.90)	0.6	0.3	9.4	1000	1	3	6
AMI-22-30-X	30 (34.5)	1.57 (0.90)	0.67	0.94	20	470			6
AMI-22-60-X	60 (69.0)	1.57 (0.90)	1.0	3.0	20	470			6
AMI-22A-1-X	1 (1.15)	0.074 (0.04)	12	0.3	0.94	1000	1	3	
AMI-22A-3-X	3 (3.45)	0.074 (0.04)	2.5	0.3	0.94	1000	1	3	
AMI-22A-6-X	6 (6.90)	0.074 (0.04)	1.0	0.3	0.94	1000	1	3	
AMI-22A-10-X	10 (11.5)	0.074 (0.04)	0.8	0.3	0.94	1000	1	3	
AMI-22A-12-X	12 (13.8)	0.074 (0.04)	0.7	0.3	0.94	1000	1	3	
AMI-22A-13-X	13 (15.0)	0.074 (0.04)	0.65	0.3	0.94	1000	1	3	
AMI-22A-16-X	16 (18.4)	0.074 (0.04)	0.65	0.3	0.94	1000	1	3	
AMI-22A-20-X	20 (23.0)	0.074 (0.04)	0.6	0.3	0.94	1000	1	3	6
AMI-22A-30-X	30 (34.5)	0.074 (0.04)	0.67	0.94	0.94	470			6
AMI-22A-60-X	60 (69.0)	0.074 (0.04)	1.0	3.0	0.94	470			6
AMI-22B-1-X	1 (1.15)	0.002 (0.001)	12	0.3		1000	1	3	
AMI-22B-1-X	3 (3.45)	0.002 (0.001)	2.5	0.3		1000	1	3	
AMI-22B-6-X	6 (6.90)	0.002 (0.001)	1.0	0.3		1000	1	3	
AMI-22B-10-X	10 (11.5)	0.002 (0.001)	0.8	0.3		1000	1	3	
AMI-22B-12-X	12 (13.8)	0.002 (0.001)	0.7	0.3		1000	1	3	
AMI-22B-13-X	13 (15.0)	0.002 (0.001)	0.65	0.3		1000	1	3	
AMI-22B-16-X	16 (18.4)	0.002 (0.001)	0.65	0.3		1000	1	3	
AMI-22B-20-X	20 (23.0)	0.002 (0.001)	0.6	0.3		1000	1	3	6
AMI-22B-30-X	30 (34.5)	0.002 (0.001)	0.67	0.94		470			6
AMI-22B-60-X	60 (69.0)	0.002 (0.001)	1.0	3.0		470			6

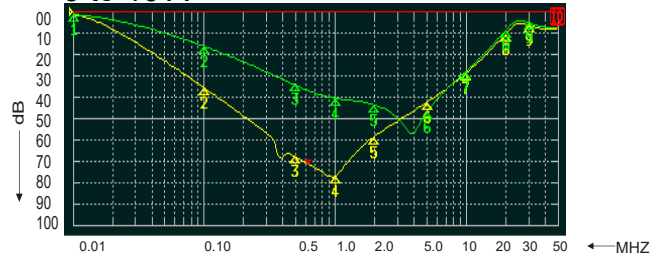
Where X denotes connection style

Insertion Loss: Common mode - —  
Differential mode- —

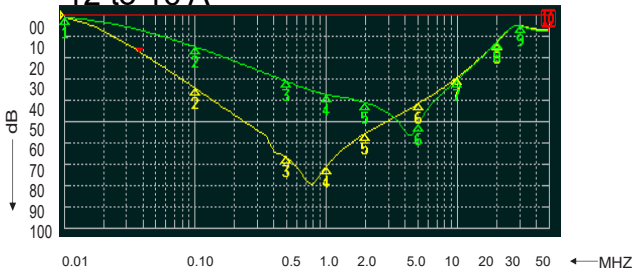
1 to 3 A



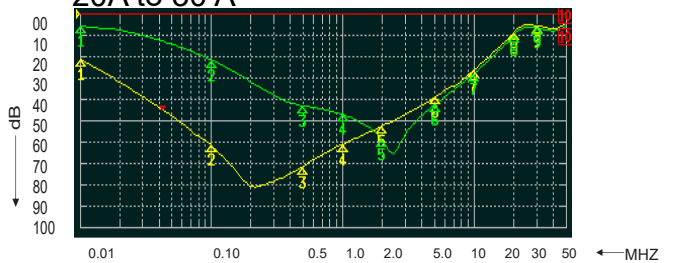
6 to 10 A



12 to 16 A



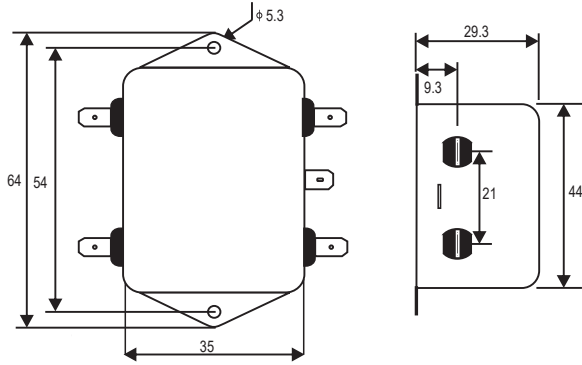
20A to 30 A



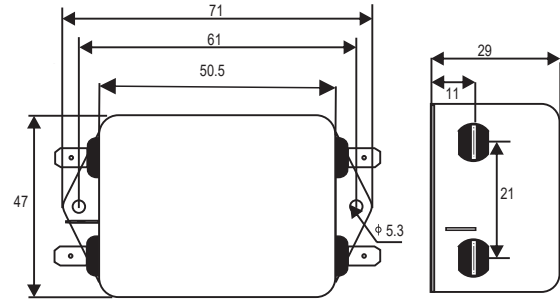
# General EMI Filter with High Attenuation Performance

## MECHANICAL DIMENSION (mm):

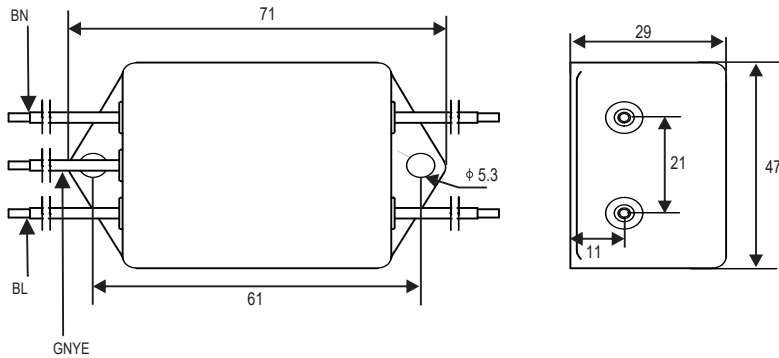
CONNECTION TYPE -1  
1A to 12A



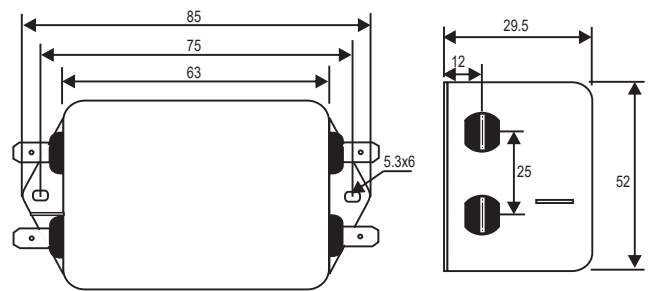
CONNECTION TYPE -1  
16A



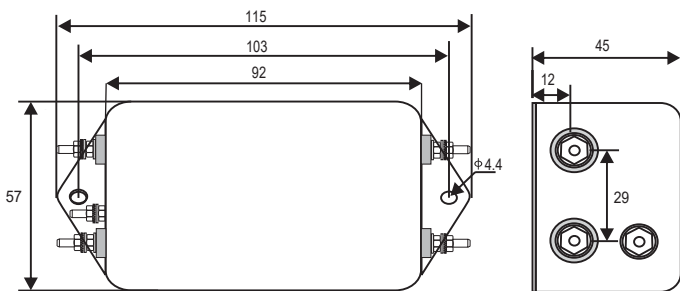
CONNECTION TYPE -3  
16A



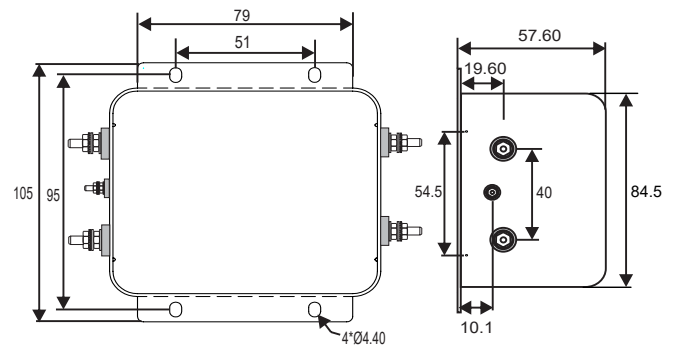
CONNECTION TYPE -1  
20A



CONNECTION TYPE -6  
30A



CONNECTION TYPE -6  
60A



**NOTE:**

All Dimension in mm

- Connection type: 1 - Spade Terminals (6.3 x 0.8)
- 3 - Wire leads (140mm on both sides)
- 6 - Threaded Bolt Terminals (M4)