

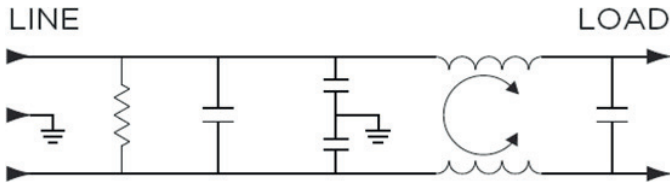
Features

- General purpose filtering
- High Common Mode Inductance
- Rated up to 20A
- Medical Versions (No Cy to Ground)

Applications

- Electrical and Electronic equipment
- Consumer goods
- Home appliances
- Medical Products

Typical Circuit Diagram



Approvals & Compliances



Technical Specifications

Maximum Continuous Operating Voltage	250 VAC Max
Operating Frequency	50/60Hz
Rated Current	3 to 20A @40°C
Temperature range	-10°C to +40°C
High Potential Test Voltage	Line to Ground: 2250 VDC Line to Line: 1450 VDC

Product Selector

AMI-M11N - 1 - 10 - B

Termination and Case Style 1: Spade Terminals	
Rated Current @ 40°C	
B Standard version A Medical Version (No Earth Leakage)	

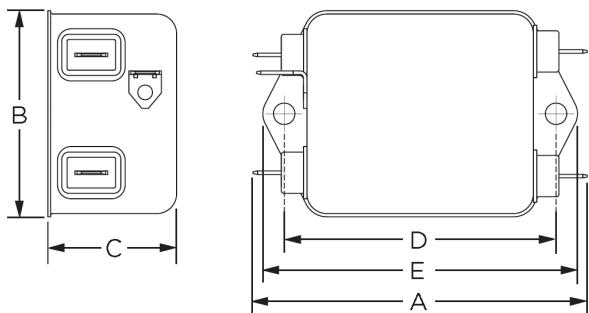
Selection Table

AMI Designation	Input/output Style	Current Rating	Inductance mH	Capacitance		Resistor	Leakage Current @ 120 VAC 60Hz/250 VAC 50 Hz	TIL Insertion Loss	Case Style
				Cx	Cy				
Available Part Numbers	6.3mm Spade Terminals	A	L	nF	pF	KO	mA		
*AMI-M11N-1-3-A	1	3	7.0	741	-	470	0	001	A
AMI-M11N-1-3-B	1	3	7.0	741	2200	470	0.16/0.26	002	D
*AMI-M11N-1-6-A	1	6	5.1	741	-	470	0	003	B
AMI-M11N-1-6-B	1	6	5.1	741	2200	470	0.16/0.26	004	D
*AMI-M11N-1-10-A	1	10	4.97	741	-	470	0	005	C
AMI-M11N-1-10-B	1	10	4.97	741	2200	470	0.16/0.26	006	E
*AMI-M11N-1-15-A	1	15	5.04	741	-	470	0	007	C
AMI-M11N-1-15-B	1	15	5.04	741	2200	470	0.16/0.26	008	E
*AMI-M11N-1-20-A	1	20	4.55	741	-	470	0	009	C
AMI-M11N-1-20-B	1	20	4.55	741	2200	470	0.16/0.26	010	E

*P/N's are UL pending.

Case Styles

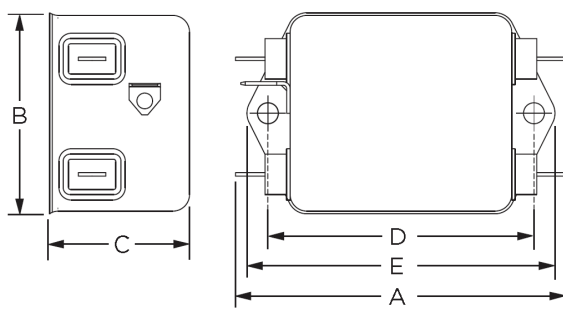
STYLE A



Typical Dimensions:

- Line/Load Terminals (4): .250 [6.3] with .07 [1.8] Dia. hole
- Ground Terminal (1): .250 [6.3] with .07 x .16 [1.8 x 3.8] slot
- Mounting Holes (2): .188 [4.78] Dia.

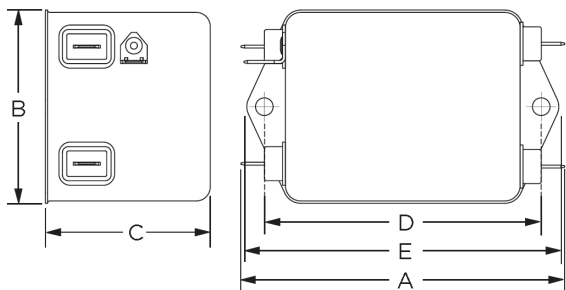
STYLE B



Typical Dimensions:

- Line/Load Terminals (4): .250 [6.3] with .07 [1.8] Dia. hole
- Ground Terminal (1): .250 [6.3] with .07 x .16 [1.8 x 3.8] slot
- Mounting Holes (2): .188 [4.78] Dia.

STYLE C



Typical Dimensions:

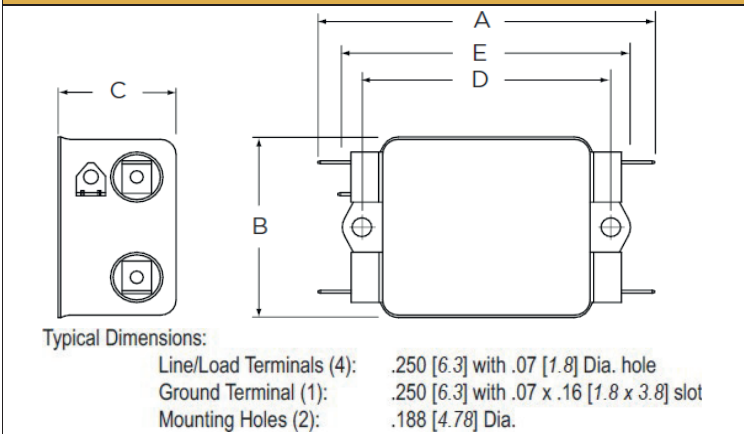
- Line/Load Terminals (4): .250 [6.3] with .07 [1.8] Dia. hole
- Ground Terminal (1): .250 [6.3] with .07 x .16 [1.8 x 3.8] slot
- Mounting Holes (2): .188 [4.78] Dia.

Case Dimensions:

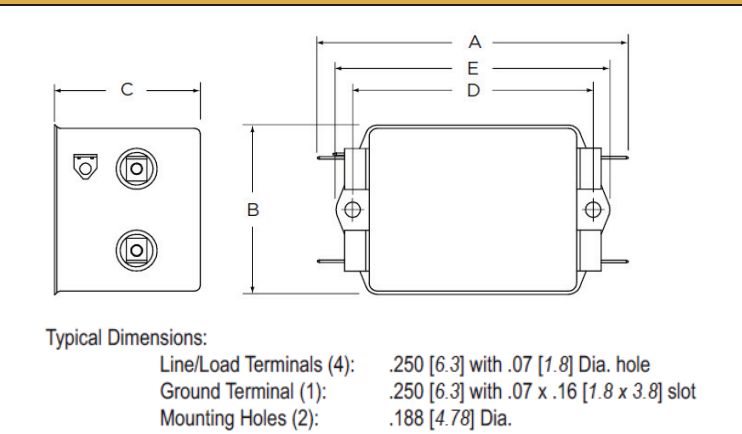
Model Number	A max	B max	C max	D $\begin{smallmatrix} \pm .15 \\ \pm .38 \end{smallmatrix}$	E max
AMI-M11N-1-3-A	3.07"/77.98mm	1.82"/46.23mm	1.16"/29.46mm	2.375"/60.33mm	2.78"/70.61mm
AMI-M11N1-6-A	3.07"/77.98mm	1.82"/46.23mm	1.28"/32.51mm	2.375"/60.33mm	2.78"/70.61mm
AMI-M11N-1-10-A AMI-M11N-1-15-A AMI-M11N-1-20-A	3.54"/89.92mm	2.047"/51.99mm	1.805"/45.85mm	2.938"/74.63mm	3.54"/89.82mm

Case Styles

STYLE D



STYLE E



Case Dimensions:

Model Number	A max	B max	C max	D $\pm \frac{.15}{.38}$	E max
AMI-M11N-1-3-B	3.35"/85.09mm	1.82"/46.2mm	1.16"/29.46mm	2.38"/60.33mm	2.78"/70.61mm
AMI-M11N-1-6-B	3.35"/85.09mm	1.82"/46.2mm	1.28"/32.51mm	2.38"/60.33mm	2.78"/70.61mm
AMI-M11N-1-10-B AMI-M11N-1-15-B AMI-M11N-1-20-B	3.85"/97.79mm	2.07"/52.58mm	1.78"/45.21mm	2.94"/74.67mm	3.35"/85.09mm

Typical Insertion Loss

According to CISPR17 in 50 Ω system

— Common Mode / Asymmetrical (L-G)
 — Differential Mode / Symmetrical (L-L)

