

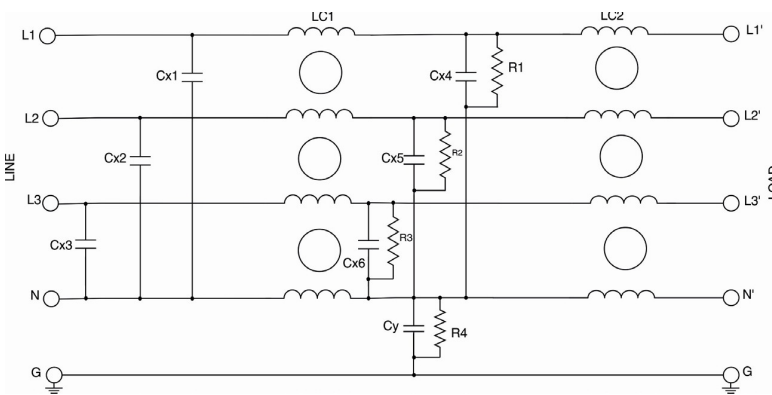
Features

- General purpose filtering
- Rated up to 600A
- Bus bar terminals
- Available with protective cover

Applications

- Entire factories, plants and installations
- Photo-voltaic systems with galvanic isolation
- Machinery
- High-power motor drives, inverters

Typical Circuit Diagram





Approvals & Compliances





Technical Specifications

Maximum continuous operating voltage:	520VAC
Operating Frequency:	50/60 Hz
Rated Currents:	8A to 600A @ 50°C
High Potential test voltage:	L -> G 2856 VDC for 2 sec L -> L 2236 VDC for 2 sec L -> N 1290 VDC for 2 sec
Overload Capability:	4x rated current at switch on 135% of rated current for 15Mins
Flammability corresponding to:	UL 94 V-0 or better
Temperature range:	-25°C to +100°C
Design corresponding to:	25/100/21
Design corresponding to:	UL 60939-3 & IEC 60939-1&2
Protection category:	IP 20 (8A to 200 A types) IP 00 (300A to 600 A types)

Selection Table

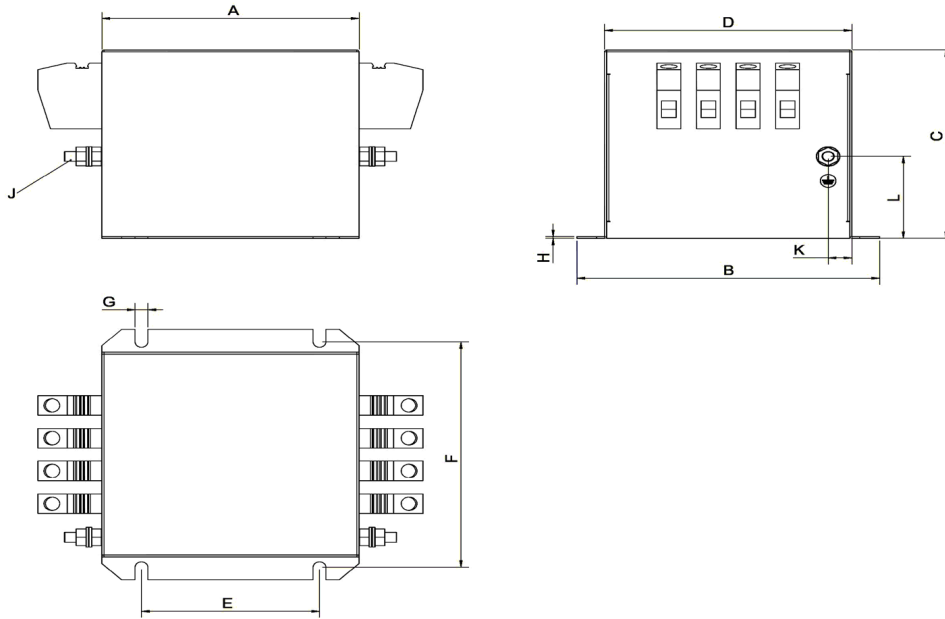
High Performance						
Available Part Numbers	Current Rating @ 50°C (A)	Leakage current @ 520 VAC/50 Hz (mA)	Power loss 50Hz (W)	Termination		Weight Approx. (Kg)
						
AMI-4080-8-06	8	11	3	06	-	0.8
AMI-4080-16-06	16	11	6	06	-	1
AMI-4080-25-06	25	11	12	06	-	1.5
AMI-4080-36-06	36	11	15	06	-	1.8
AMI-4080-64-16	64	11	19	16	-	3
AMI-4080-80-35	80	11	19	35	-	4.5
AMI-4080-120-50	120	11	29	50	-	6
AMI-4080-160-95	160	11	31	95	-	9
AMI-4080-200-95	200	11	47	95	-	9
AMI-4080-300-BB	300	42.5	21	-	BB	10
AMI-4080-400-BB	400	42.5	36	-	BB	10
AMI-4080-600-BB	600	42.5	65	-	BB	11

High Performance with Insulation Resistance >1MΩ						
Available Part Numbers	Current Rating @ 50°C (A)	Leakage current @ 520 VAC/50 Hz (mA)	Power loss 50Hz (W)	Termination		Weight Approx. (Kg)
						
AMI-4080-8-06-R10	8	11	3	06	-	0.8
AMI-4080-16-06-R10	16	11	6	06	-	1
AMI-4080-25-06-R10	25	11	12	06	-	1.5
AMI-4080-36-06-R10	36	11	15	06	-	1.8
AMI-4080-64-16-R10	64	11	19	16	-	3
AMI-4080-80-35-R10	80	11	19	35	-	4.5
AMI-4080-120-50-R10	120	11	29	50	-	6
AMI-4080-160-95-R10	160	11	31	95	-	8
AMI-4080-200-95-R10	200	11	47	95	-	9
AMI-4080-300-BB-R10	300	42.5	21	-	BB	10
AMI-4080-400-BB-R10	400	42.5	36	-	BB	10
AMI-4080-600-BB-R10	600	42.5	65	-	BB	11

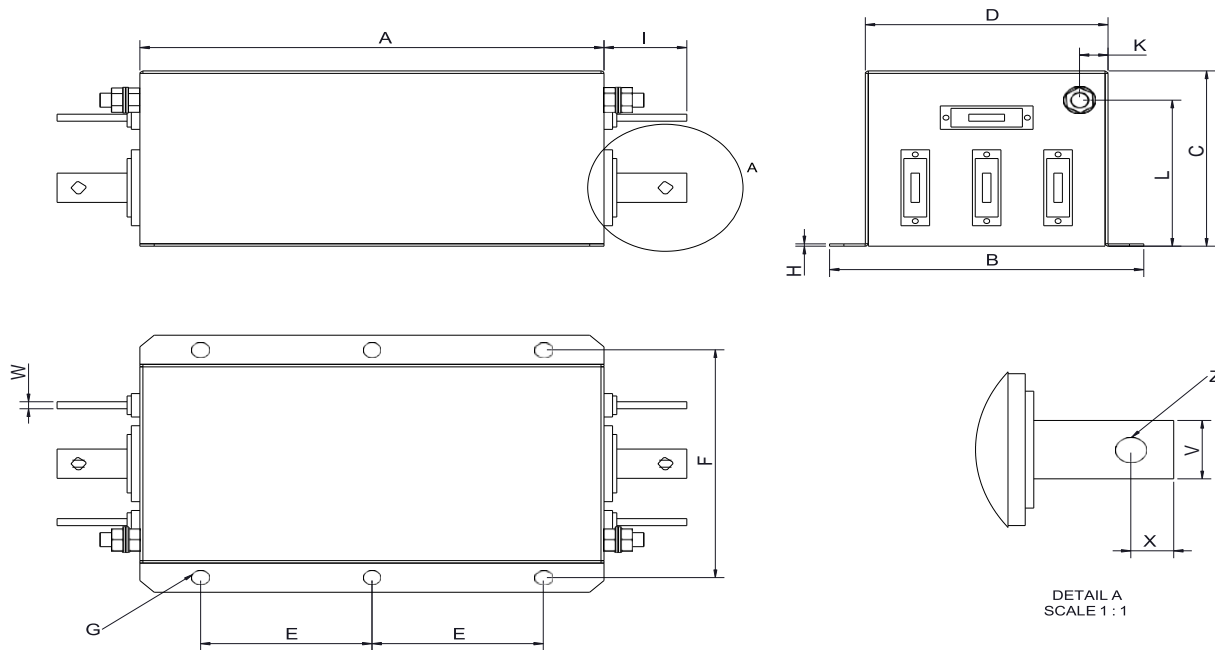
Mechanical Drawing

8A to 200A Types

8A to 200A Types




300A-600A Types



Mechanical Dimensions:

	8A	16A	25A	36A	64A	80A	120A	160A	200A	300A	400A	600A
A	120	120	130	130	160	230	250	280	280	325	325	325
B	143	143	153	153	153	163	170	170	170	220	220	220
C	80	80	115	115	125	125	140	170	170	150	150	150
D	115	115	125	125	125	135	140	140	140	170	170	170
E	80	80	90	90	100	120	200	230	230	120	120	120
F	127.5	127.5	137.5	137.5	147.5	147.5	153.5	153.5	153.5	195	195	195
G	6.5	6.5	6.5	6.5	6.5	6.5	6.5	6.5	6.5	12	12	12
H	1	1	1	1	1.5	1.5	1.5	1.5	1.5	2	2	2
J	M6	M6	M6	M6	M10	M10	M10	M10	M10	M12	M12	M12
K	12	12	12	12	18	18	17.5	17.5	17.5	20	20	20
L	33	33	50	50	55	45	55	55	55	125	125	125
V										25	25	25
W										6	6	8
X										15	15	15
Z										Ø10.5	Ø10.5	Ø10.5

All Dimensions in mm: 1 inch=25.4mm. Tolerance according : ISO 2768-C

	06	16	35	50	95
Stripping Length	9mm	16mm	19mm	24mm	27mm
Wire range	8 to 26 AWG	4 to 20 AWG	2 to 8 AWG	6 to 1/0 AWG	4/0 AWG
Recommended torque	1.2 Nm	2 Nm	2 Nm	2.5-3 Nm	3.5-6 Nm

Typical Insertion Loss

According to CISPR17 in 50 Ω system

— Common Mode / Asymmetrical (L-G)
 — Differential Mode / Symmetrical (L-L)

