

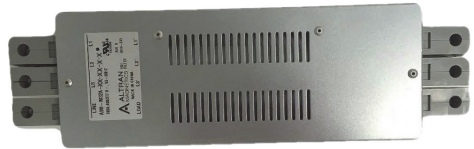
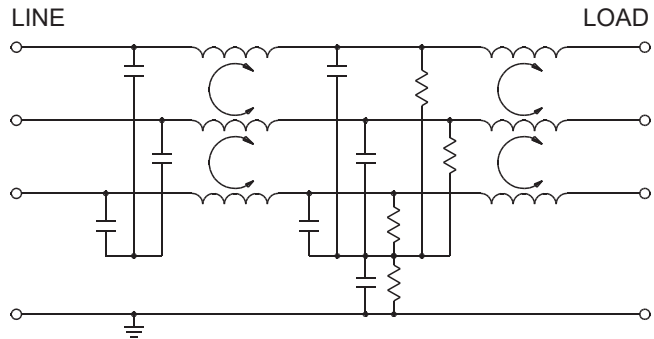
Features

- Compact book-style design
- Rated up to 180A
- Low Earth Leakage Current Options available
- Touch safe terminal blocks

Applications

- 3-phase inverters & converters
- Variable speed motor drives
- Elevators & Escalators
- Machine tools

Typical Circuit Diagram



Approvals & Compliances



Technical Specifications

| | |
|--------------------------------------|--|
| Maximum Continuous Operating Voltage | 480 VAC Max |
| Operating Frequency | 50/60Hz |
| Rated Current | 7 to 180A @50°C |
| Temperature range | -10°C to +50°C |
| High Potential Test Voltage | Line to Ground: 1850 VAC Line to Line: 1850 VDC |

Product Selector

AMI-M32A - 10 - 75 - E - 1

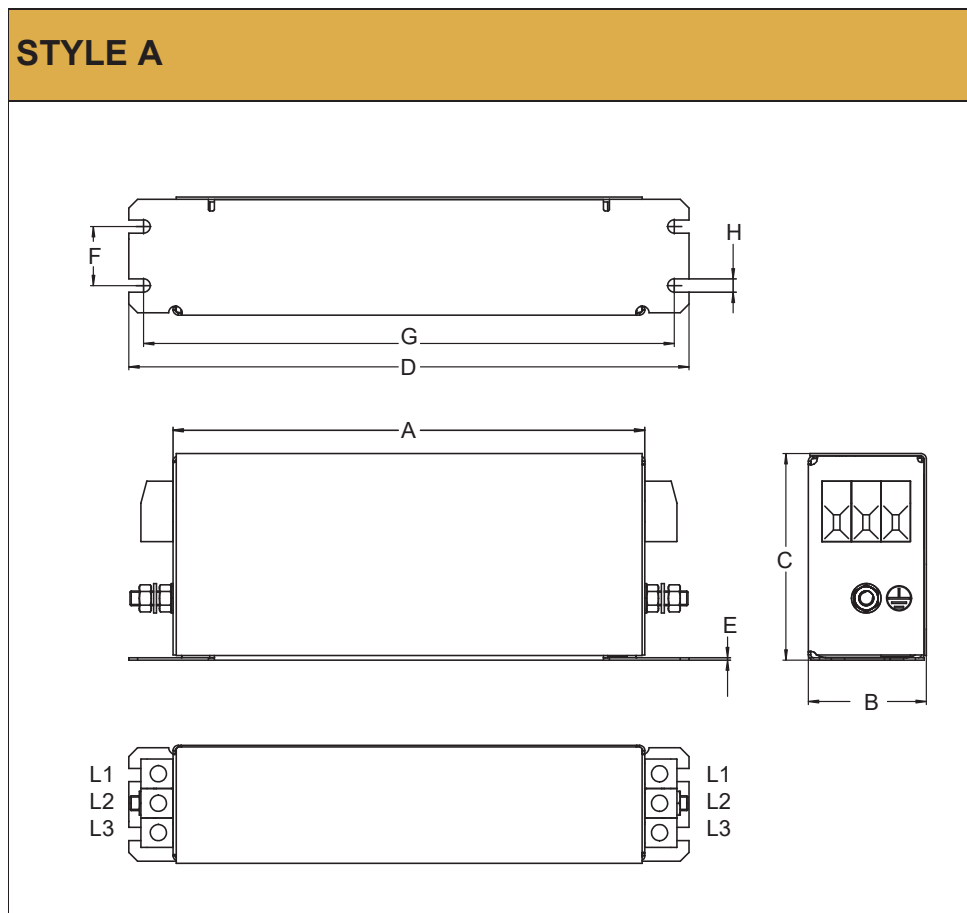
| | |
|----------------------|---------------------------|
| 10 | Terminal Block |
| Rated Current @ 55°C | |
| E-1 | Very High Performance |
| E-2 | Low Leakage Versions |
| Blank | Zero Earth Leakage models |

Selection Table

| AMI Designation | Input/output Style | Current Rating | Inductance | Capacitance | | Resistor | Leakage Current @ 120 VAC 60Hz/250 VAC 50 Hz | TIL Insertion Loss | Case Style |
|------------------------|------------------------------|----------------|------------|-------------|--------|----------|--|--------------------|------------|
| | | | | Cx | Cy | | | | |
| Available Part Numbers | feed-through terminal blocks | | mH | nF | pF | KΩ | mA | | |
| AMI-M32A-10-7-E-1 | 10 | 7 | 2.43 | 3300 | 730000 | 660 | 149/259 | 001 | A |
| AMI-M32A-10-7-E-2 | 10 | 7 | 2.43 | 3300 | 30000 | 660 | 4.2/7.5 | - | A |
| AMI-M32A-10-16-E-1 | 10 | 16 | 2.31 | 4450 | 730000 | 660 | 149/259 | 002 | A |
| AMI-M32A-10-16-E-2 | 10 | 16 | 2.31 | 4450 | 30000 | 660 | 4.2/7.5 | - | A |
| AMI-M32A-10-30-E-1 | 10 | 30 | 1.60 | 4950 | 730000 | 660 | 149/259 | 003 | A |
| AMI-M32A-10-30-E-2 | 10 | 30 | 1.60 | 4950 | 33000 | 660 | 4.2/7.5 | - | A |
| AMI-M32A-10-42-E-1 | 10 | 42 | 1.13 | 6600 | 730000 | 660 | 149/259 | 004 | A |
| AMI-M32A-10-42-E-2 | 10 | 42 | 1.13 | 6600 | 30000 | 660 | 4.2/7.5 | - | A |
| AMI-M32A-10-55-E-1 | 10 | 55 | 1.56 | 6650 | 730000 | 660 | 149/259 | 005 | A |
| AMI-M32A-10-55-E-2 | 10 | 55 | 1.56 | 6650 | 30000 | 660 | 4.2/7.5 | - | A |
| AMI-M32A-10-75-E-1 | 10 | 75 | 1.06 | 6600 | 730000 | 660 | 149/259 | 006 | A |
| AMI-M32A-10-75-E-2 | 10 | 75 | 1.06 | 6600 | 30000 | 660 | 4.2/7.5 | - | A |
| AMI-M32A-10-100-E-1 | 10 | 100 | 0.80 | 6600 | 730000 | 660 | 149/259 | 007 | A |
| AMI-M32A-10-100-E-2 | 10 | 100 | 0.80 | 6600 | 33000 | 660 | 4.2/7.5 | - | A |
| *AMI-M32A-10-130-E-2 | 10 | 130 | 0.55 | 6600 | 330000 | 660 | 18/32 | 008 | A |
| *AMI-M32A-10-180-E-2 | 10 | 180 | 0.36 | 6650 | 330000 | 660 | 18/32 | 009 | A |

*AMI-M32A-10-130-E/AMI-M32A-10-180-E are UL Pending

Case Styles



Case Dimensions:

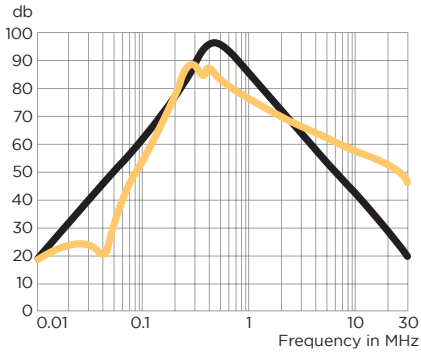
| Model Number | A (max.) | B (max.) | C (max.) | D (max.) | E (max.) | F (max.) | G (max.) | H (max.) |
|-----------------|--------------|-------------|-------------|--------------|-------------|------------|--------------|-------------|
| AMI-M32A-10-7 | 6.3"/160mm | 1.57"/40mm | 2.76"/70mm | 7.48"/190mm | 0.03"/0.8mm | 0.79"/20mm | 7.09"/180mm | 0.18"/4.5mm |
| AMI-M32A-10-16 | 8.66"/220mm | 1.77"/45mm | 2.76"/70mm | 9.84"/250mm | 0.03"/0.8mm | 0.98"/25mm | 9.25"/235mm | 0.21"/5.4mm |
| AMI-M32A-10-30 | 9.45"/240mm | 1.97"/50mm | 3.35"/85mm | 10.63"/270mm | 0.03"/0.8mm | 1.18"/30mm | 10.04"/255mm | 0.21"/5.4mm |
| AMI-M32A-10-42 | 11.02"/280mm | 1.97"/50mm | 3.35"/85mm | 12.2"/310mm | 0.03"/0.8mm | 1.18"/30mm | 11.61"/295mm | 0.21"/5.4mm |
| AMI-M32A-10-55 | 8.66"/220mm | 3.35"/85mm | 3.54"/90mm | 9.84"/250mm | 0.04"/1mm | 2.36"/60mm | 9.25"/235mm | 0.21"/5.4mm |
| AMI-M32A-10-75 | 9.45"/240mm | 3.15"/80mm | 5.31"/135mm | 10.63"/270mm | 0.04"/1mm | 2.36"/60mm | 10.04"/255mm | 0.26"/6.5mm |
| AMI-M32A-10-100 | 9.45"/240mm | 3.54"/90mm | 5.91"/150mm | 10.63"/270mm | 0.04"/1mm | 2.56"/65mm | 10.04"/255mm | 0.26"/6.5mm |
| AMI-M32A-10-130 | 9.45"/240mm | 3.54"/90mm | 5.91"/150mm | 10.63"/270mm | 0.04"/1mm | 2.56"/65mm | 10.04"/255mm | 0.26"/6.5mm |
| AMI-M32A-10-180 | 13.78"/350mm | 4.72"/120mm | 6.69"/170mm | 14.96"/380mm | 0.04"/1mm | 4.2"/102mm | 14.37"/365mm | 0.26"/6.5mm |

Typical Insertion Loss

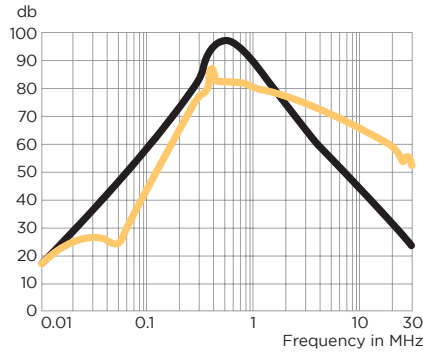
According to CISPR17 in 50 Ω system

— Common Mode / Asymmetrical (L-G)
— Differential Mode / Symmetrical (L-L)

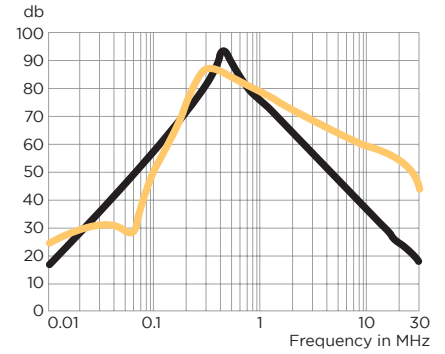
TIL-001



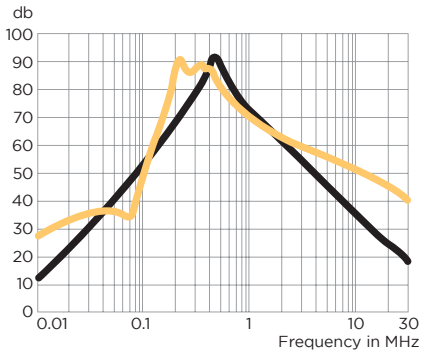
TIL-002



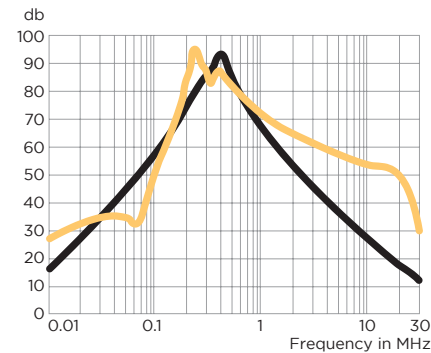
TIL-003



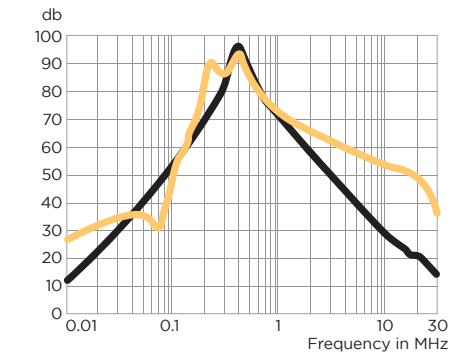
TIL-004



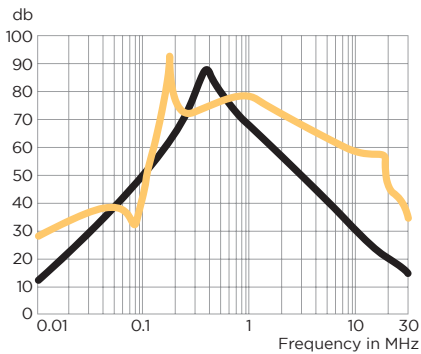
TIL-005



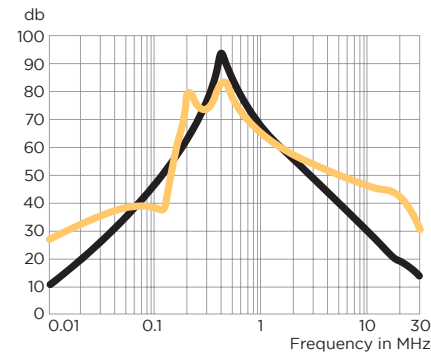
TIL-006



TIL-007



TIL-008



TIL-009

