

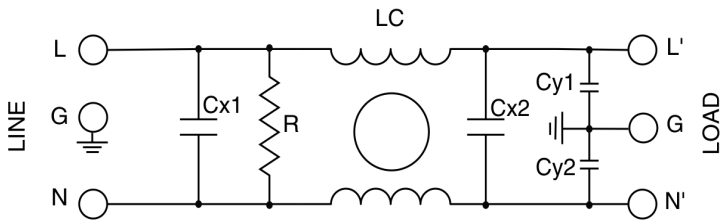
Features

- Medical Version available
- Rated up to 40A
- High Conducted attenuation performance
- Chassis mounting

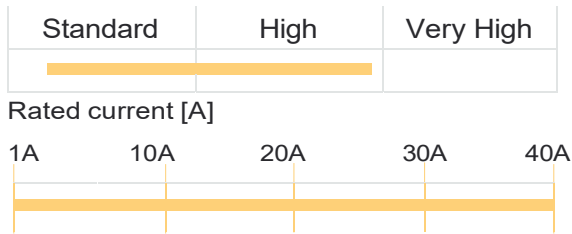
Applications

- Power Systems
- Electronic Equipment
- Frequency convertors
- UPS/Inverters

Typical Circuit Diagram



Performance Indicator



Approvals & Compliances



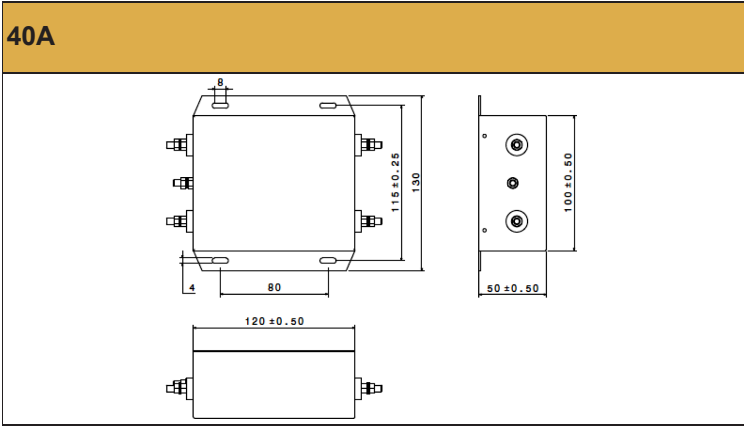
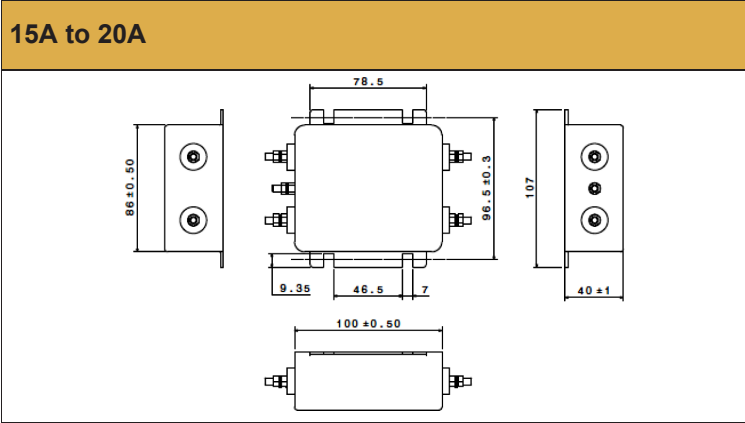
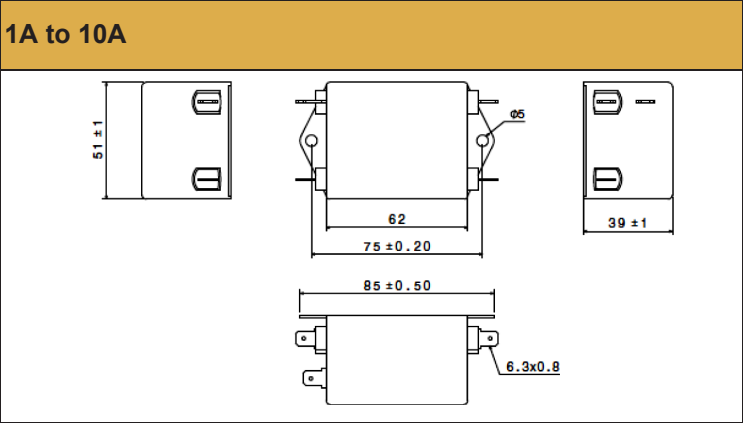
Technical Specifications

Maximum Continuous Operating Voltage	250VAC, 250VDC
Operating Frequency	DC to 400Hz
Current ratings	1A to 40A @40°C
High Potential test voltage	L to G 2250VDC for 1 Minute L to L 1450VDC for 1 Minute
Overload Capability	135% of Rated current for 15 minutes
Design Corresponding to	UL 60939-3
Flammability corresponding to	UL 94 V-0
Temperature range	-25°C to +85°C
Climatic Category	25/85/21

Selection Table

Available Part Number	Rated Current @40°C	Leakage Current (mA)@250VAC/50Hz	Termination		Weight (Grams)
			6.3 x 0.8	M5	
AMI-1350-1-1	1A	7.4	1		200
AMI-1350-3-1	3A	7.4	1		200
AMI-1350-6-1	6A	7.4	1		200
AMI-1350-10-1	10A	7.4	1		200
AMI-1350-15-M5	15A	7.4		M5	650
AMI-1350-20-M5	20A	7.4		M5	650
AMI-1350-40-M5	40A	7.4		M5	1000

Mechanical Drawing



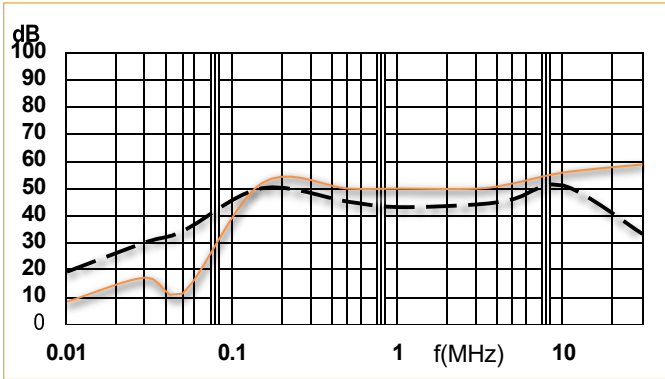
Thread Size	M5	M6
Recommended Torque (Nm)	2-2.2	3.5-4
Earth Terminal (Nm)	2-2.2	3.5-4

Typical Insertion Loss

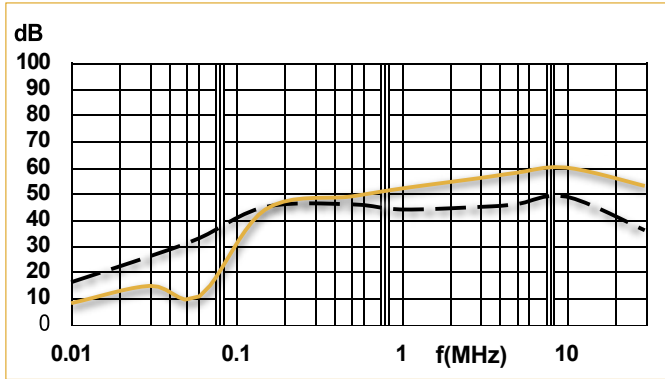
According to CISPR17 in 50 Ω system

— Common Mode / Asymmetrical (L-G)
 — Differential Mode / Symmetrical (L-L)

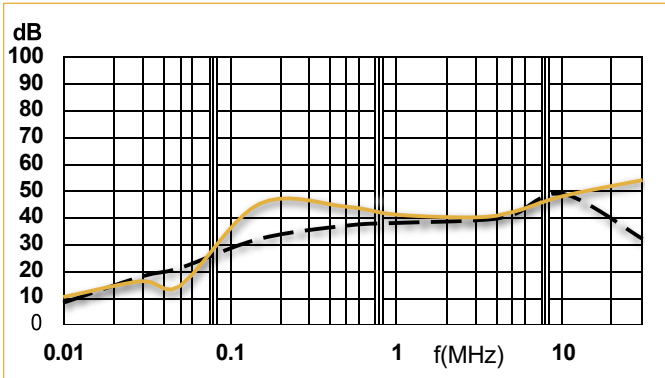
1A/3A



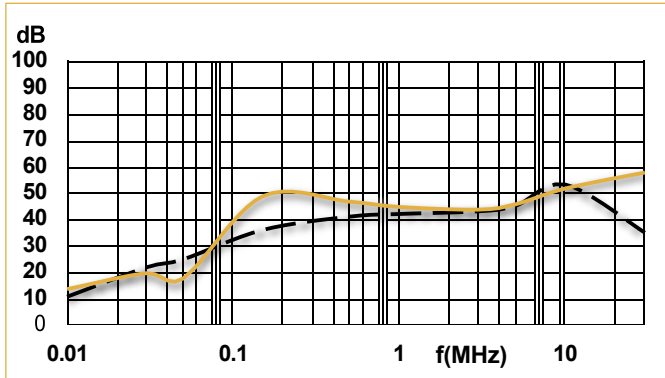
6A



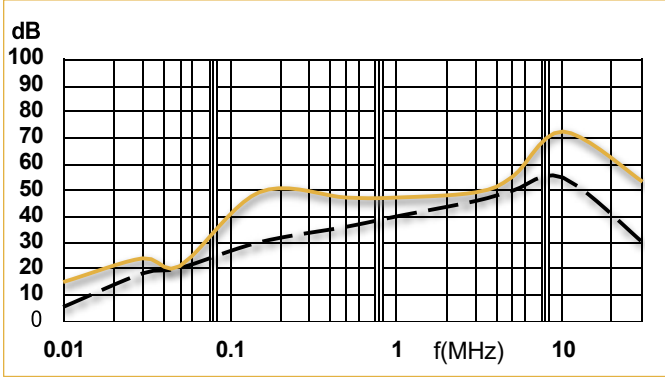
10A



15A



20A



40A

