



MOTORS & BLOWERS CATALOGUE

We Design. We Build. We Deliver.



2024

+815-632-3150
www.altranmagnetics.com
1741 Industrial Drive, No. 14
Sterling, IL 61081

Table of Contents

C-Frame & 3.3" Motors	3
AC Unit Bearing Motors	6
EC Unit Bearing Motors	13
DC Axial Fans	20
AC Axial Fans	30
AC Forward Centrifugal Blowers	101
DC Forward Centrifugal Fans	109
AC Backward Centrifugal Blowers	141
DC-EC Backward Centrifugal Fans	159

C-Frame & 3.3" Motors

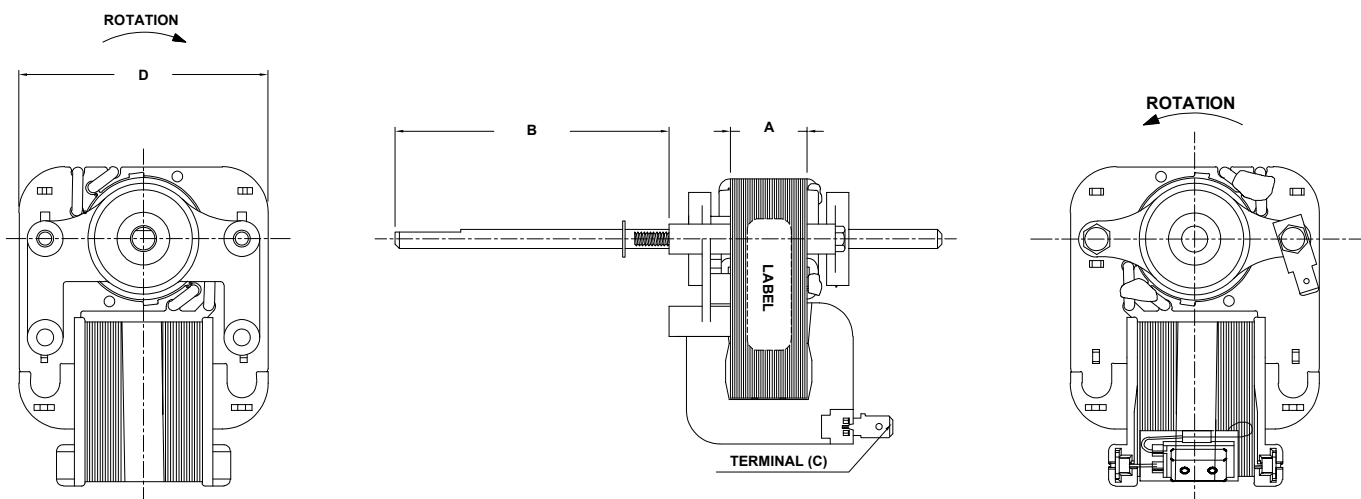
VOLTAGE/STACK THICKNESS	0.375"	0.50"	0.625"	0.750"	0.875"	1.000"	1.125"	1.375"	1.500"	2.000"
110VAC, 60Hz			●							
115VAC, 60Hz					▲	▲	★	▲	▲	▲
115VAC, 50/60Hz			●		▲		▲			
120VAC, 60Hz	●	▲★	★	★	▲	★	★	★	★	
120VAC 50/60Hz									▲	
120VAC 50/60Hz	●		●				★		▲	
208-240VAC, 50/60Hz		●			▲	●	▲		▲	
230VAC, 50/60Hz			●		▲		▲	▲	▲	▲
240VAC, 60Hz	●		●				★			
240VAC, 50/60Hz									▲	
220-240 50/60Hz				●			▲			
120VAC, 60Hz 230VAC, 50Hz						●				
220 / 240VAC, 50/60Hz									▲	
100V 50/60Hz							▲		▲	

Approvals: 

Color	Meaning
Black	Insulation Class B
Yellow	Insulation Class H

Shape	Meaning
●	Impedance Protected
▲	Thermally Protected, Resettable
★	Thermally or Impedance Protected
■	Thermally Protected, Non-resettable

Outline Drawing:



Dimension	Range Available
A	0.375" - 2.00"
B	On demand
C	Lead wires, Lead wires with connectors, Terminals
D	2.38"

AC Motors 3.3" Motors

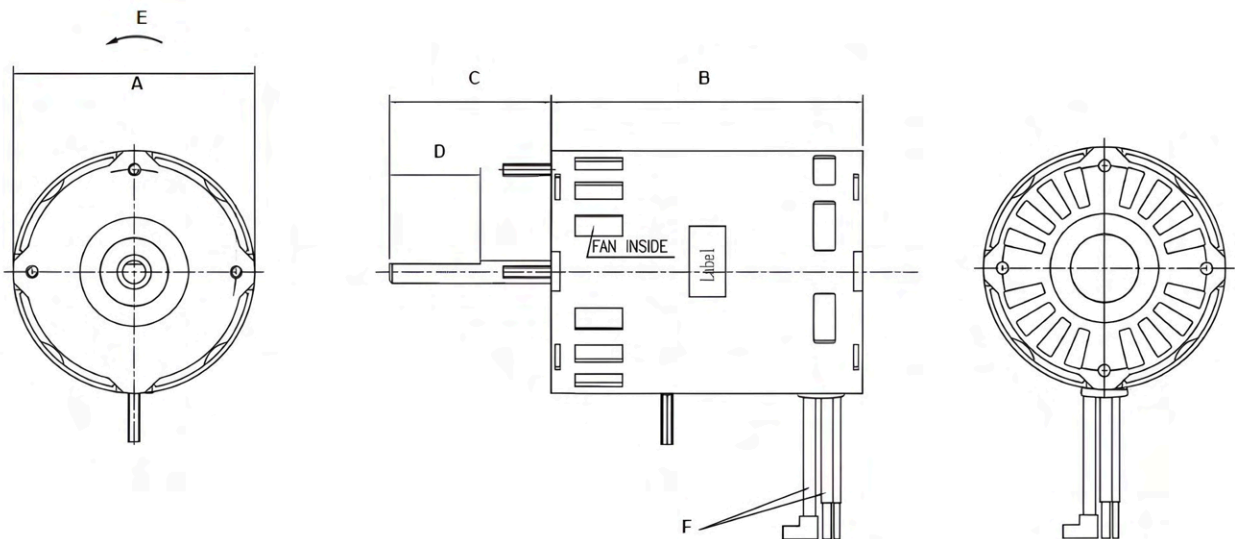


VOLTAGE/POWER	5W	6W	8W	10W	15W	16W	19W	25W	30W	35W	38W	42W	50W	63W	64W	75W	94W	185W
115VAC, 60Hz															●	★		
115VAC, 50/60Hz	●	■	■	■▲	■▲●	●	■▲	■▲	■▲		■▲	▲	●▲	★		★	★	
120VAC, 60Hz					●													
208-240VAC, 60Hz								▲								▲		
230VAC, 50/60Hz				■	▲						●▲					★		
220 / 240VAC, 50/60Hz										▲								
115/230, 50/60Hz						★		■										
115/230, 50/60Hz								■			★							
208/230V 60Hz																		▲
208/230V 60Hz								▲										▲
100V 50/60Hz			■															

Shape	Meaning
●	2 Pole
▲	2 Pole, PSC
★	4 Pole
■	4 Pole, PSC

Outline Drawing:

Approvals: cULus



Dimension	Range Available
A	3.3"
B	Depends on power value
C	On demand
D	D-Cut is optional
E	Can be CWSE or CCWSE
F	Lead wires, lead wires with connectors

Unit Bearing Motors

Cast iron Single Foot Unit Sleeve Bearing Motor



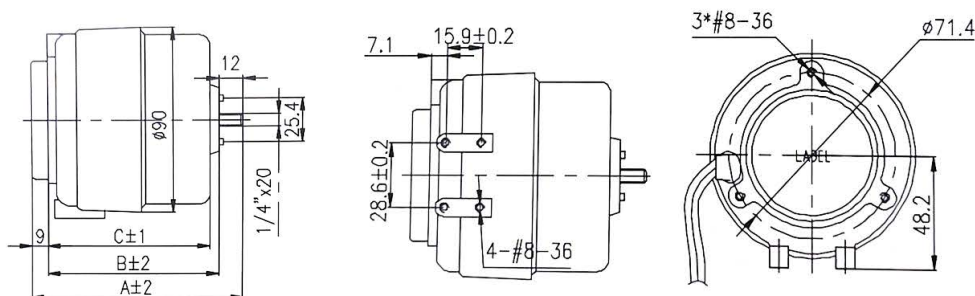
Parameter	Details
Voltage	115V and 230V
Output	2 – 16 watts (2, 4, 5, 6, 9, 14, 16W)
Speed Range	1300-1550 RPM
Speeds	1 or 2
Rotation	CW or CCW (determined from the lead end of the motor)
Type	Cast iron double feet Unit bearing motor
Shaft	1/4" x 20 thread standard, Optional: flatted end, smooth end, 5/16" diameter shaft, rear shaft extension
Operating Position	Horizontal shaft (+/- 15°), optional all-angle, or vertical shaft up
Leads	Standard 18 gauge, 2 conductor, with various termination options
Approvals	UL approval
Operating Temperatures	-30 to 50°C
Service Life	30,000 hours on time

Performance Parameter:

Approvals:

MODEL	VOLTAGE (V)	FREQUENCY (Hz)	OUTPUT POWER (W)	CURRENT (A)	SPEED (RPM)	ROTATION (Rot)	A (mm)	B (mm)	C (mm)
AMI-UB-D1D-K00	115	50/60	2	0.28	1300/1550	CW	80	67	62
AMI-UB-D2D-K00	115	50/60	2	0.28	1300/1550	CCW			
AMI-UB-L1D-K00	230	50/60	2	0.14	1300/1550	CW			
AMI-UB-L2D-K00	230	50/60	2	0.14	1300/1550	CCW			
AMI-UB-D1E-K00	115	50/60	4	0.32	1300/1550	CW			
AMI-UB-D2E-K00	115	50/60	4	0.32	1300/1550	CCW			
AMI-UB-L1E-K00	230	50/60	4	0.16	1300/1550	CW			
AMI-UB-L2E-K00	230	50/60	4	0.16	1300/1550	CCW			
AMI-UB-D1F-K00	115	50/60	5	0.36	1300/1550	CW			
AMI-UB-D2F-K00	115	50/60	5	0.36	1300/1550	CCW			
AMI-UB-L1F-K00	230	50/60	5	0.18	1300/1550	CW			
AMI-UB-L2F-K00	230	50/60	5	0.18	1300/1550	CCW			
AMI-UB-D1G-K00	115	50/60	6	0.43	1300/1550	CW	89	76	71
AMI-UB-D2G-K00	115	50/60	6	0.43	1300/1550	CCW			
AMI-UB-L1G-K00	230	50/60	6	0.2	1300/1550	CW			
AMI-UB-L2G-K00	230	50/60	6	0.2	1300/1550	CCW			
AMI-UB-D1H-K00	115	50/60	9	0.64	1300/1550	CW			
AMI-UB-D2H-K00	115	50/60	9	0.64	1300/1550	CCW			
AMI-UB-L1H-K00	230	50/60	9	0.32	1300/1550	CW			
AMI-UB-L2H-K00	230	50/60	9	0.32	1300/1550	CCW			
AMI-UB-D1I-K00	115	50/60	14	0.48	1300/1550	CW			
AMI-UB-D2I-K00	115	50/60	14	0.48	1300/1550	CCW			
AMI-UB-L1I-K00	230	50/60	14	0.21	1300/1550	CW			
AMI-UB-L2I-K00	230	50/60	14	0.21	1300/1550	CCW			
AMI-UB-D1J-K00	115	50/60	16	0.92	1300/1550	CW	98	85	80
AMI-UB-D2J-K00	115	50/60	16	0.92	1300/1550	CCW			
AMI-UB-L1J-K00	230	50/60	16	0.48	1300/1550	CW			
AMI-UB-L2J-K00	230	50/60	16	0.48	1300/1550	CCW			

Outline Drawing: Unit:mm(inch)



2-16W Cast Iron Double Feet Unit Bearing Motor



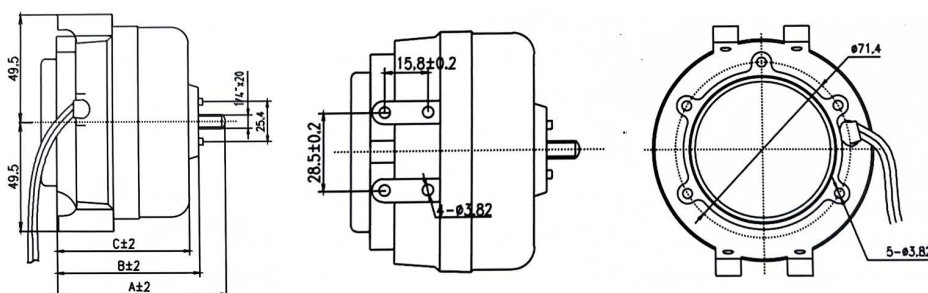
Parameter	Details
Voltage	115V and 230V
Output	2 – 16 watts (2, 4, 5, 6, 9, 14, 16W)
Speed Range	1300-1550 RPM
Speeds	1 or 2
Rotation	CW or CCW (determined from the lead end of the motor)
Type	Cast iron double feet Unit bearing motor
Operating Position	Horizontal shaft (+/- 15°), optional all-angle, or vertical shaft up
Leads	Standard 18 gauge, 2 conductor, with various termination options
Approvals	UL approval
Operating Temperatures	-30 to 50°C
Service Life	30,000 hours on time

Performance Parameter:

Approvals:

MODEL	VOLTAGE (V)	FREQUENCY (Hz)	OUTPUT POWER (W)	CURRENT (A)	SPEED (RPM)	ROTATION (Rot)	A (mm)	B (mm)	C (mm)
AMI-UB-D1D-K01	115	50/60	2	0.28	1300/1550	CW	80	67	62
AMI-UB-D2D-K01	115	50/60	2	0.28	1300/1550	CCW			
AMI-UB-L1D-K01	230	50/60	2	0.14	1300/1550	CW			
AMI-UB-L2D-K01	230	50/60	2	0.14	1300/1550	CCW			
AMI-UB-D1E-K01	115	50/60	4	0.32	1300/1550	CW			
AMI-UB-D2E-K01	115	50/60	4	0.32	1300/1550	CCW			
AMI-UB-L1E-K01	230	50/60	4	0.16	1300/1550	CW			
AMI-UB-L2E-K01	230	50/60	4	0.16	1300/1550	CCW			
AMI-UB-D1F-K01	115	50/60	5	0.36	1300/1550	CW			
AMI-UB-D2F-K01	115	50/60	5	0.36	1300/1550	CCW			
AMI-UB-L1F-K01	230	50/60	5	0.18	1300/1550	CW			
AMI-UB-L2F-K01	230	50/60	5	0.18	1300/1550	CCW			
AMI-UB-D1G-K01	115	50/60	6	0.43	1300/1550	CW	89	76	71
AMI-UB-D2G-K01	115	50/60	6	0.43	1300/1550	CCW			
AMI-UB-L1G-K01	230	50/60	6	0.2	1300/1550	CW			
AMI-UB-L2G-K01	230	50/60	6	0.2	1300/1550	CCW			
AMI-UB-D1H-K01	115	50/60	9	0.64	1300/1550	CW			
AMI-UB-D2H-K01	115	50/60	9	0.64	1300/1550	CCW			
AMI-UB-L1H-K01	230	50/60	9	0.32	1300/1550	CW			
AMI-UB-L2H-K01	230	50/60	9	0.32	1300/1550	CCW			
AMI-UB-D1I-K01	115	50/60	14	0.48	1300/1550	CW			
AMI-UB-D2I-K01	115	50/60	14	0.48	1300/1550	CCW			
AMI-UB-L1I-K01	230	50/60	14	0.21	1300/1550	CW			
AMI-UB-L2I-K01	230	50/60	14	0.21	1300/1550	CCW			
AMI-UB-D1J-K01	115	50/60	16	0.92	1300/1550	CW	98	85	80
AMI-UB-D2J-K01	115	50/60	16	0.92	1300/1550	CCW			
AMI-UB-L1J-K01	230	50/60	16	0.48	1300/1550	CW			
AMI-UB-L2J-K01	230	50/60	16	0.48	1300/1550	CCW			

Outline Drawing: Unit:mm(inch)



2-16W Aluminum Single Foot Unit Bearing Motor



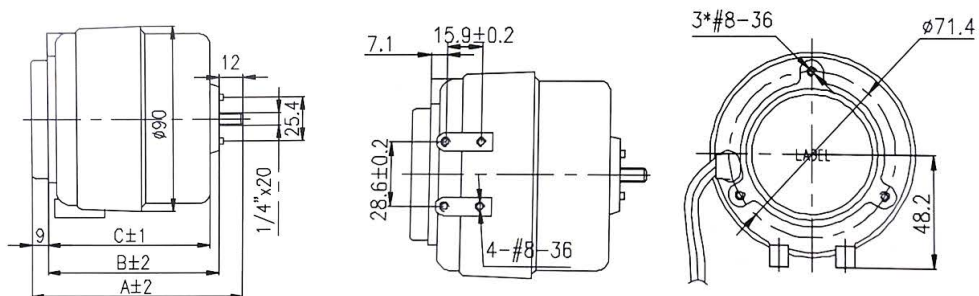
Parameter	Details
Voltage	115V and 230V
Output	2 – 16 watts (2, 4, 5, 6, 9, 14, 16W)
Speed Range	1300-1550 RPM
Speeds	1 or 2
Rotation	CW or CCW (determined from the lead end of the motor)
Type	Aluminum single foot unit bearing motor
Operating Position	Horizontal shaft (+/- 15°), optional all-angle, or vertical shaft up
Leads	Standard 18 gauge, 2 conductor, with various termination options
Approvals	UL approval
Operating Temperatures	-30 to 50°C
Service Life	20,000 hours on time

Performance Parameter:

Approvals:

MODEL	VOLTAGE (V)	FREQUENCY (Hz)	OUTPUT POWER (W)	CURRENT (A)	SPEED (RPM)	ROTATION (Rot)	A (mm)	B (mm)	C (mm)
AMI-UB-D1D-K02	115	50/60	2	0.28	1300/1550	CW	78	65	60
AMI-UB-D2D-K02	115	50/60	2	0.28	1300/1550	CCW			
AMI-UB-L1D-K02	230	50/60	2	0.14	1300/1550	CW			
AMI-UB-L2D-K02	230	50/60	2	0.14	1300/1550	CCW			
AMI-UB-D1E-K02	115	50/60	4	0.32	1300/1550	CW			
AMI-UB-D2E-K02	115	50/60	4	0.32	1300/1550	CCW			
AMI-UB-L1E-K02	230	50/60	4	0.16	1300/1550	CW			
AMI-UB-L2E-K02	230	50/60	4	0.16	1300/1550	CCW			
AMI-UB-D1F-K02	115	50/60	5	0.36	1300/1550	CW			
AMI-UB-D2F-K02	115	50/60	5	0.36	1300/1550	CCW			
AMI-UB-L1F-K02	230	50/60	5	0.18	1300/1550	CW	87	74	69
AMI-UB-L2F-K02	230	50/60	5	0.18	1300/1550	CCW			
AMI-UB-D1G-K02	115	50/60	6	0.43	1300/1550	CW			
AMI-UB-D2G-K02	115	50/60	6	0.43	1300/1550	CCW			
AMI-UB-L1G-K02	230	50/60	6	0.2	1300/1550	CW			
AMI-UB-L2G-K02	230	50/60	6	0.2	1300/1550	CCW			
AMI-UB-D1H-K02	115	50/60	9	0.64	1300/1550	CW			
AMI-UB-D2H-K02	115	50/60	9	0.64	1300/1550	CCW			
AMI-UB-L1H-K02	230	50/60	9	0.32	1300/1550	CW			
AMI-UB-L2H-K02	230	50/60	9	0.32	1300/1550	CCW			
AMI-UB-D1I-K02	115	50/60	14	0.48	1300/1550	CW	96	83	78
AMI-UB-D2I-K02	115	50/60	14	0.48	1300/1550	CCW			
AMI-UB-L1I-K02	230	50/60	14	0.21	1300/1550	CW			
AMI-UB-L2I-K02	230	50/60	14	0.21	1300/1550	CCW			
AMI-UB-D1J-K02	115	50/60	16	0.92	1300/1550	CW			
AMI-UB-D2J-K02	115	50/60	16	0.92	1300/1550	CCW			
AMI-UB-L1J-K02	230	50/60	16	0.48	1300/1550	CW			
AMI-UB-L2J-K02	230	50/60	16	0.48	1300/1550	CCW			

Outline Drawing: Unit:mm(inch)



Aluminum Double Feet Unit Bearing Motor



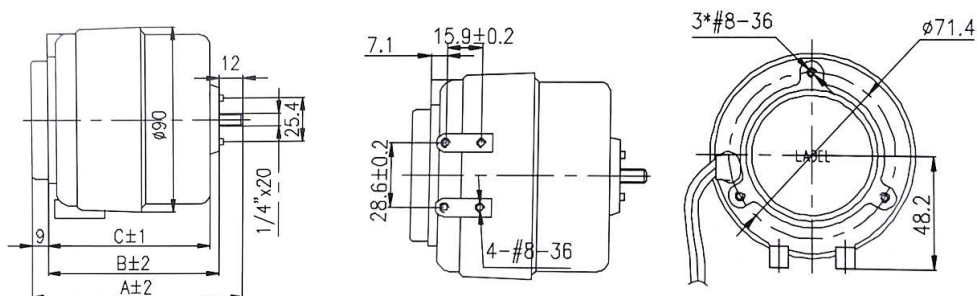
Parameter	Details
Voltage	115V and 230V
Output	2 – 16 watts (2, 4, 5, 6, 9, 14, 16W)
Speed Range	1300-1550 RPM
Speeds	1 or 2
Rotation	CW or CCW (determined from the lead end of the motor)
Type	Aluminum double feet unit bearing motor
Operating Position	Horizontal shaft (+/- 15°), optional all-angle, or vertical shaft up
Leads	Standard 18 gauge, 2 conductor, with various termination options
Approvals	UL approval
Operating Temperatures	-30 to 50°C
Service Life	20,000 hours on time

Performance Parameter:

Approvals:

MODEL	VOLTAGE (V)	FREQUENCY (Hz)	OUTPUT POWER (W)	CURRENT (A)	SPEED (RPM)	ROTATION (Rot)	A (mm)	B (mm)	C (mm)
AMI-UB-D1D-K03	115	50/60	2	0.28	1300/1550	CW	76	66	61
AMI-UB-D2D-K03	115	50/60	2	0.28	1300/1550	CCW			
AMI-UB-L1D-K03	230	50/60	2	0.14	1300/1550	CW			
AMI-UB-L2D-K03	230	50/60	2	0.14	1300/1550	CCW			
AMI-UB-D1E-K03	115	50/60	4	0.32	1300/1550	CW			
AMI-UB-D2E-K03	115	50/60	4	0.32	1300/1550	CCW			
AMI-UB-L1E-K03	230	50/60	4	0.16	1300/1550	CW			
AMI-UB-L2E-K03	230	50/60	4	0.16	1300/1550	CCW			
AMI-UB-D1F-K03	115	50/60	5	0.36	1300/1550	CW			
AMI-UB-D2F-K03	115	50/60	5	0.36	1300/1550	CCW			
AMI-UB-L1F-K03	230	50/60	5	0.18	1300/1550	CW			
AMI-UB-L2F-K03	230	50/60	5	0.18	1300/1550	CCW			
AMI-UB-D1G-K03	115	50/60	6	0.43	1300/1550	CW			
AMI-UB-D2G-K03	115	50/60	6	0.43	1300/1550	CCW			
AMI-UB-L1G-K03	230	50/60	6	0.2	1300/1550	CW			
AMI-UB-L2G-K03	230	50/60	6	0.2	1300/1550	CCW			
AMI-UB-D1H-K03	115	50/60	9	0.64	1300/1550	CW			
AMI-UB-D2H-K03	115	50/60	9	0.64	1300/1550	CCW			
AMI-UB-L1H-K03	230	50/60	9	0.32	1300/1550	CW			
AMI-UB-L2H-K03	230	50/60	9	0.32	1300/1550	CCW			
AMI-UB-D1I-K03	115	50/60	14	0.48	1300/1550	CW			
AMI-UB-D2I-K03	115	50/60	14	0.48	1300/1550	CCW			
AMI-UB-L1I-K03	230	50/60	14	0.21	1300/1550	CW			
AMI-UB-L2I-K03	230	50/60	14	0.21	1300/1550	CCW			
AMI-UB-D1J-K03	115	50/60	16	0.92	1300/1550	CW			
AMI-UB-D2J-K03	115	50/60	16	0.92	1300/1550	CCW			
AMI-UB-L1J-K03	230	50/60	16	0.48	1300/1550	CW			
AMI-UB-L2J-K03	230	50/60	16	0.48	1300/1550	CCW			

Outline Drawing: Unit:mm(inch)



25-35W Double Feet Unit Bearing Motor



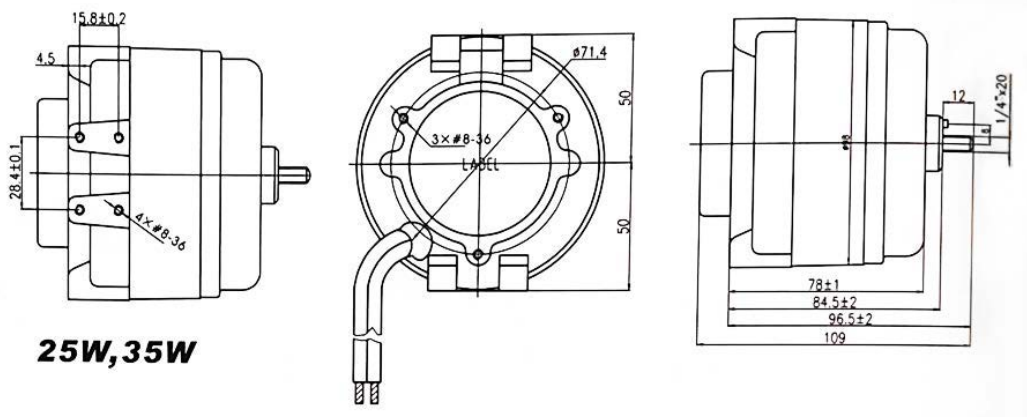
Parameter	Details
Voltage	115V and 230V
Output	25W, 35W
Speed Range	1300-1550 RPM
Speeds	1 or 2
Rotation	CW or CCW (determined from the lead end of the motor)
Type	Cast iron double feet unit bearing motor
Operating Position	Horizontal shaft (+/- 15°), optional all-angle, or vertical shaft up
Leads	Standard 18 gauge, 2 conductor, with various termination options
Approvals	UL approval
Operating Temperatures	-30 to 50°C
Service Life	20,000 hours on time

Performance Parameter:

Approvals:

MODEL	VOLTAGE (V)	FREQUENCY (Hz)	OUTPUT POWER (W)	CURRENT (A)	SPEED (RPM)	ROTATION (Rot)
AMI-UB-D1K-K04	115	50/60	25	1.1	1300/1550	CW
AMI-UB-D2K-K04	115	50/60	25	1.1	1300/1550	CCW
AMI-UB-L1K-K04	230	50/60	25	0.6	1300/1550	CW
AMI-UB-L2K-K04	230	50/60	25	0.6	1300/1550	CCW
AMI-UB-D1L-K04	115	50/60	35	1.5	1300/1550	CW
AMI-UB-D2L-K04	115	50/60	35	1.5	1300/1550	CCW
AMI-UB-L1L-K04	230	50/60	35	0.76	1300/1550	CW
AMI-UB-L2L-K04	230	50/60	35	0.76	1300/1550	CCW

Outline Drawing: Unit:mm(inch)



50W Cast Iron Double feet Unit Bearing Motor



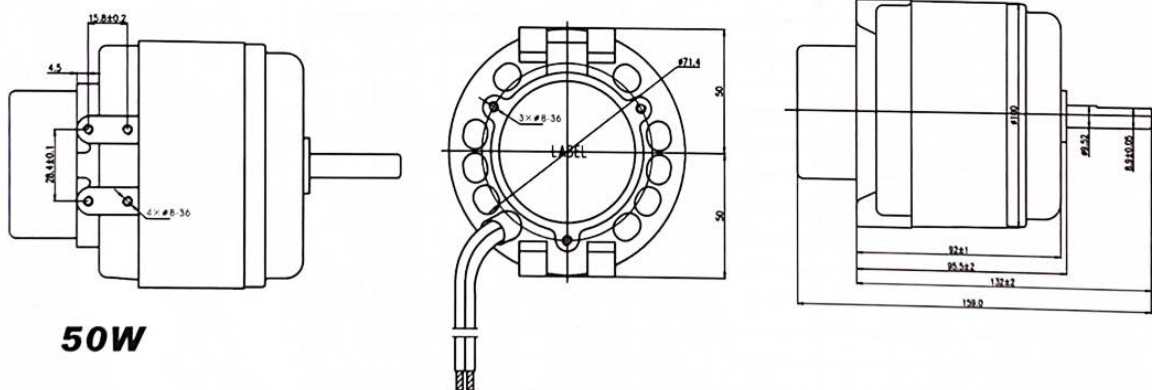
Parameter	Details
Voltage	115V and 230V
Output	50W
Speed Range	1300-1550 RPM
Speeds	1 or 2
Rotation	CW or CCW (determined from the lead end of the motor)
Type	Cast iron double feet unit bearing motor
Operating Position	Horizontal shaft (+/- 15°), optional all-angle, or vertical shaft up
Leads	Standard 18 gauge, 2 conductor, with various termination options
Approvals	UL approval
Operating Temperatures	-30 to 50°C
Service Life	20,000 hours on time

Performance Parameter:

Approvals:  

MODEL	VOLTAGE (V)	FREQUENCY (Hz)	OUTPUT POWER (W)	CURRENT (A)	SPEED (RPM)	ROTATION (Rot)
AMI-UB-D1M-K05	115	50/60	50	2.2/2.0	1300/1550	CW
AMI-UB-D2M-K05	115	50/60	50	2.2/2.0	1300/1550	CCW
AMI-UB-L1M-K05	230	50/60	50	1.2/1.0	1300/1550	CW
AMI-UB-L2M-K05	230	50/60	50	1.2/1.0	1300/1550	CCW

Outline Drawing: Unit:mm(inch)



EC Motors

EC Motors



Overview of EC Motors

Installation dimension	Voltage	Output power	Cover	Rotation direction	Speed
Totally same as traditional shaded-pole motors	AC100V-120V; AC220V-240V; DC24V	5W; 15W; 22W	Thermoplastic	Single rotation CCW; Reverse on start; Reverse on demand	Single speed, 2 Speeds

Insulation class	Working ambient temperature	Protection class	Mounting position	Operating mode	Type of protection
B/F	-30°C~50°C	Class II	Any	Continuous operating (S1)	IP65

EMC/EMI	Bearing	Motor protection	Service life	Certifications
EN61000,EN55014	Maintenance-free ball bearing	Electronically protected	50,000 hours	UL

Nomenclature

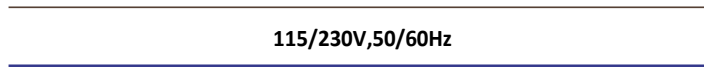
	AMI	CM	71	08
Standard Code: AMI				
Series Code				
Voltage: 0-DC; 1-100~120V; 2-220~240V; 3-100~240V				
Thickness of Laminated Core				

Electronically Commutated Motor

Connection Diagram

L Brown

N Blue



Standard

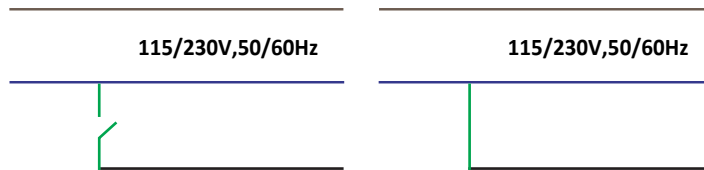
CCW

CW

L Brown

N Blue

Control Black



Reversible

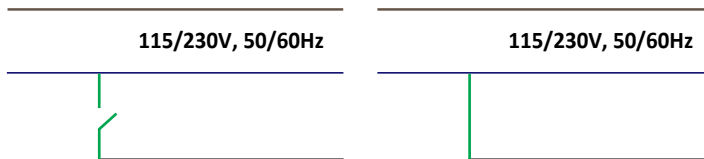
High

Low

L Brown

N Blue

Control Black

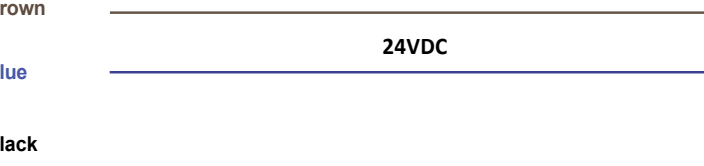


2 Speeds

24VDC Brown

GND Blue

Control Black

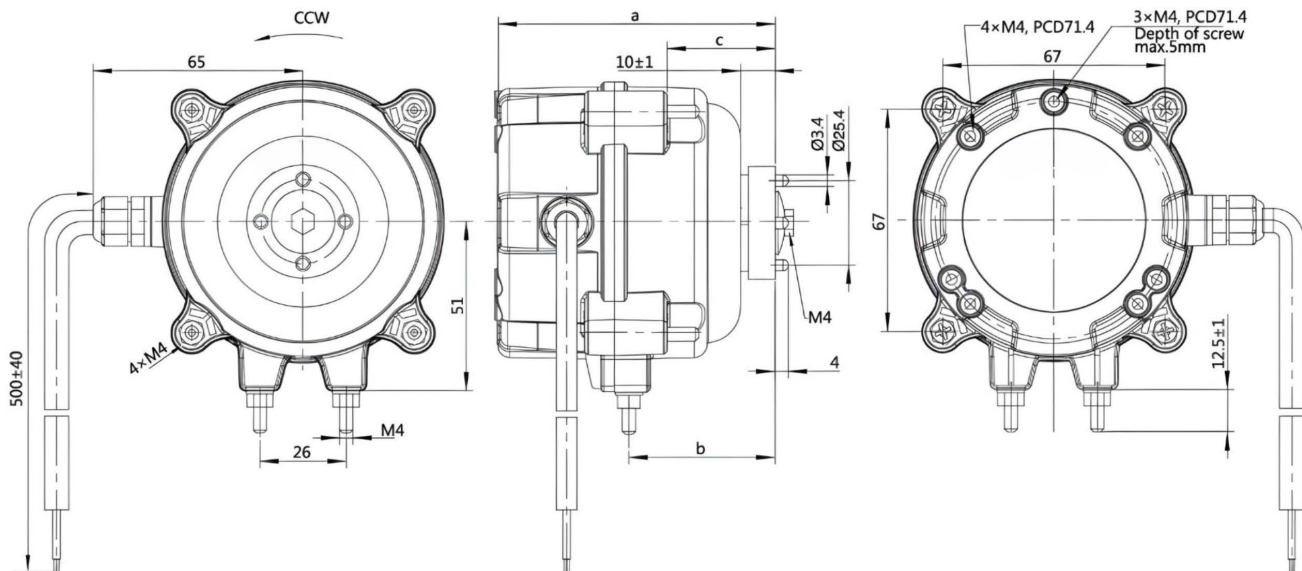


24VDC

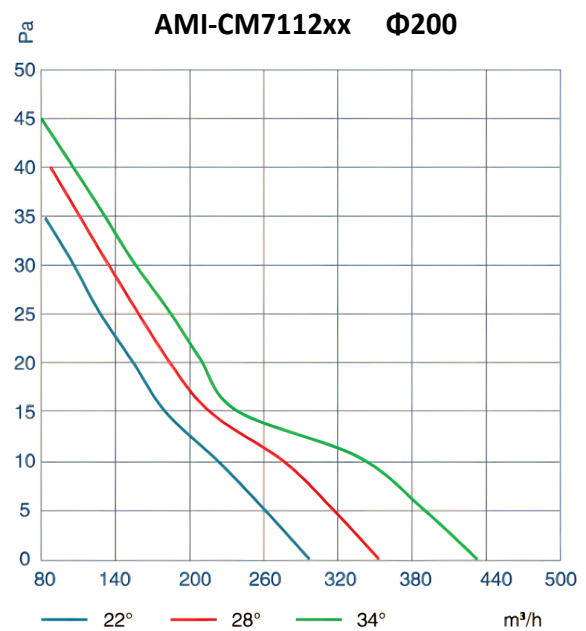
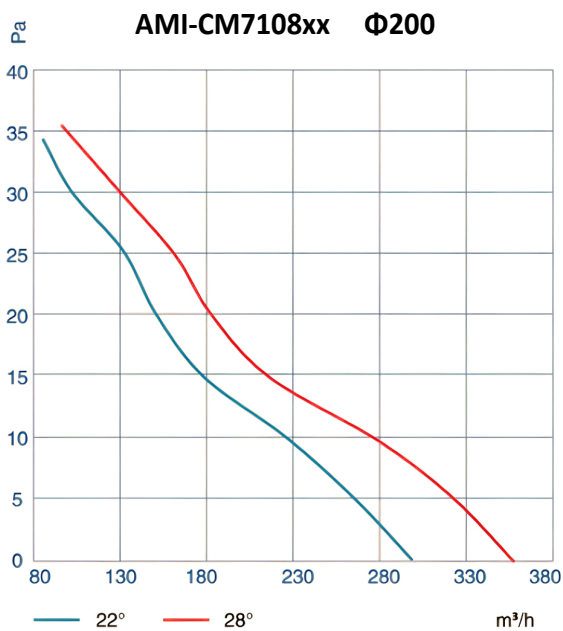
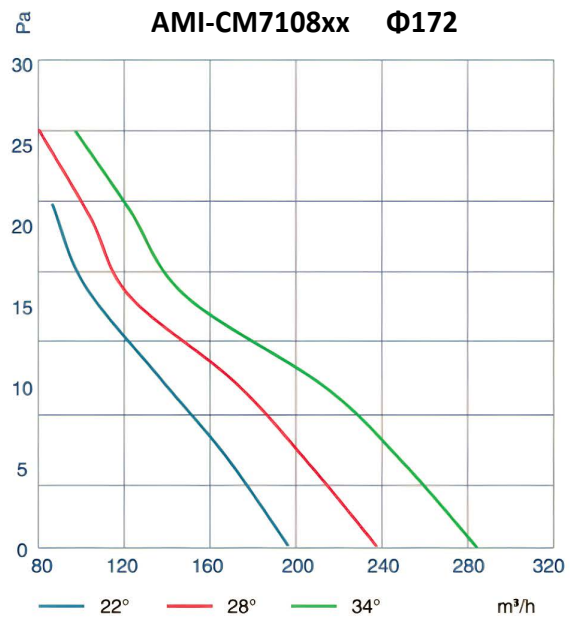
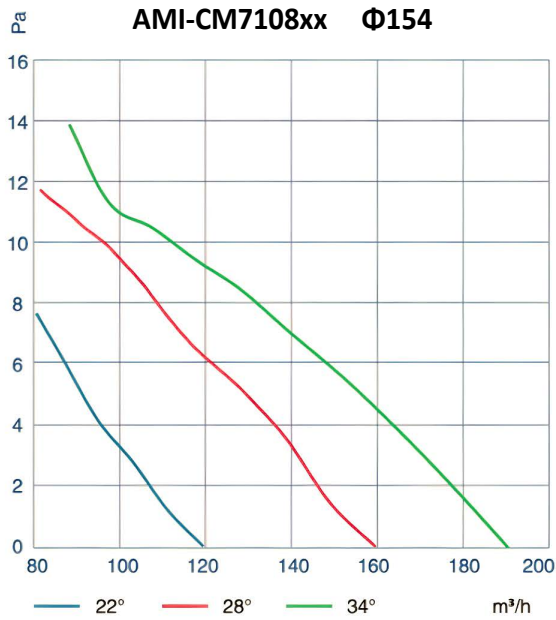
■ Technical specifications

Nominal data		Voltage	Frequency	Speed	Output capacity	Perm.amb.temp	Dimensions		
Type	Features	V	Hz	r/min	w	°C	a	b	c
AMI-CM710800	Standard CW&CCW 2 Speeds	AC115 or 230	50/60	500-2300	5	-30°C~50°C	83	43.5	32.5
AMI-CM710801	Standard CW&CCW 2 Speeds	AC100-240	50/60	500-2300	5	-30°C~50°C	74	43.5	32.5
AMI-CM711200	Standard CW&CCW 2 Speeds	AC115 or 230	50/60	500-2300	15	-30°C~50°C	87	43.5	32.5
AMI-CM711201	Vari-speed	DC24	--	500-2300	15	-30°C~50°C	87	43.5	32.5
AMI-CM711202	Standard CW&CCW 2 Speeds	AC100-240	50/60	500-2300	15	-30°C~50°C	78	43.5	32.5
AMI-CM712000	Standard CW&CCW 2 Speeds	AC115 or 230	50/60	500-2300	22	-30°C~50°C	95	43.5	32.5
AMI-CM712001	Vari-speed	DC24	--	500-2300	20	-30°C~50°C	95	43.5	32.5

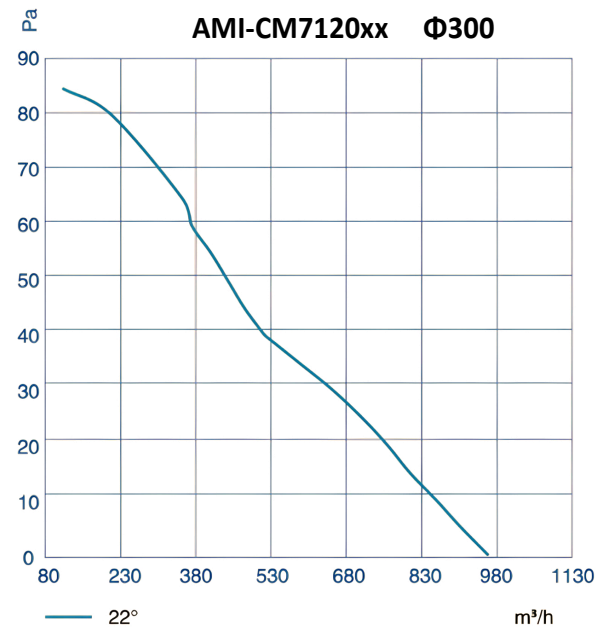
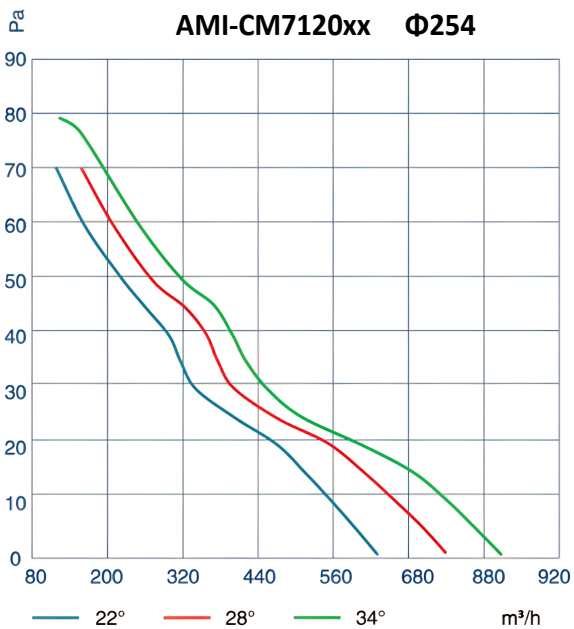
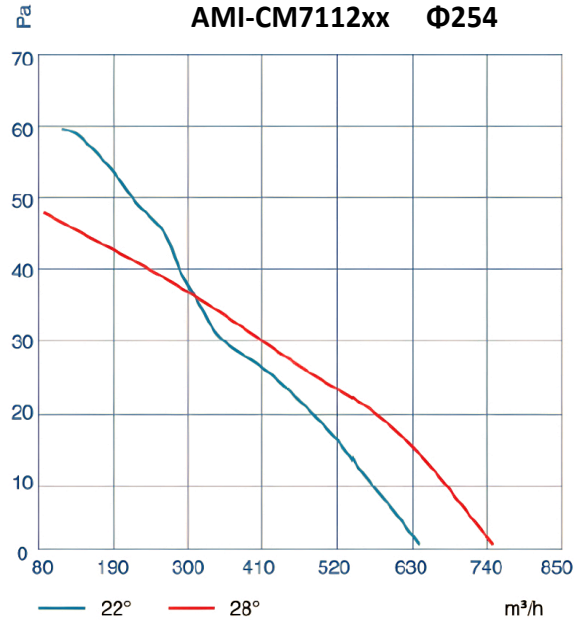
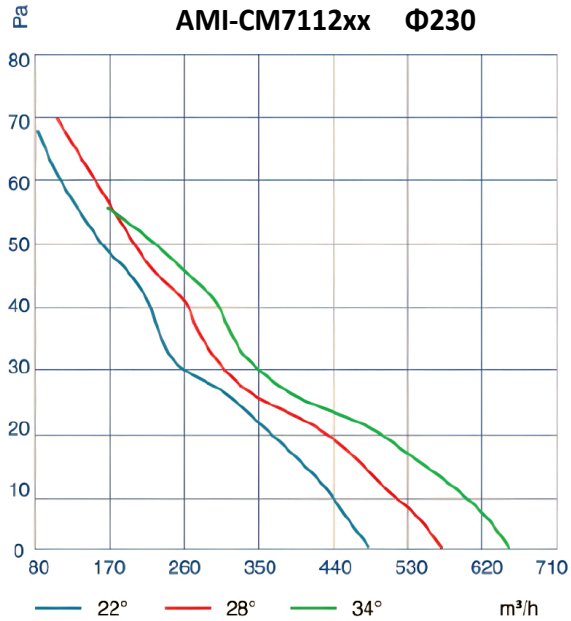
■ Installation Dimensions



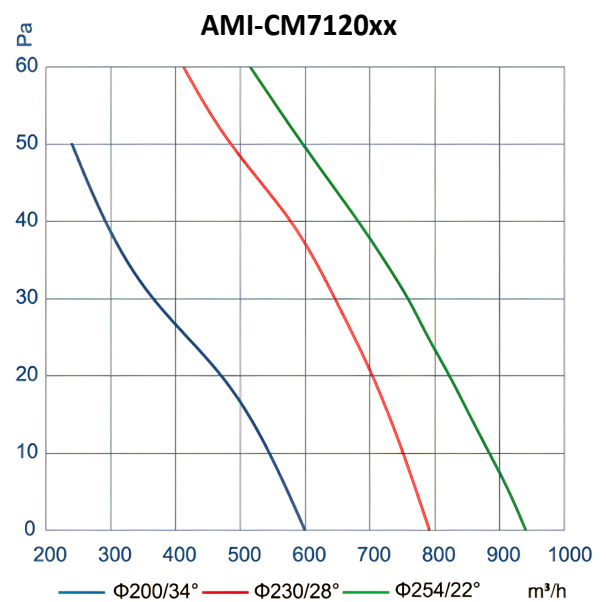
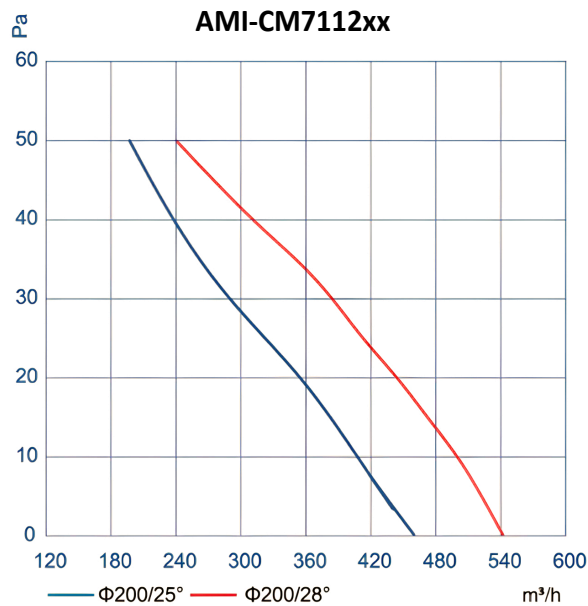
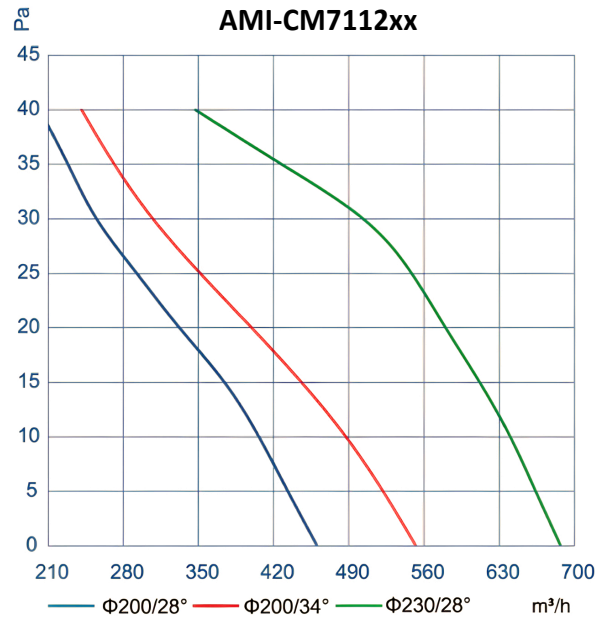
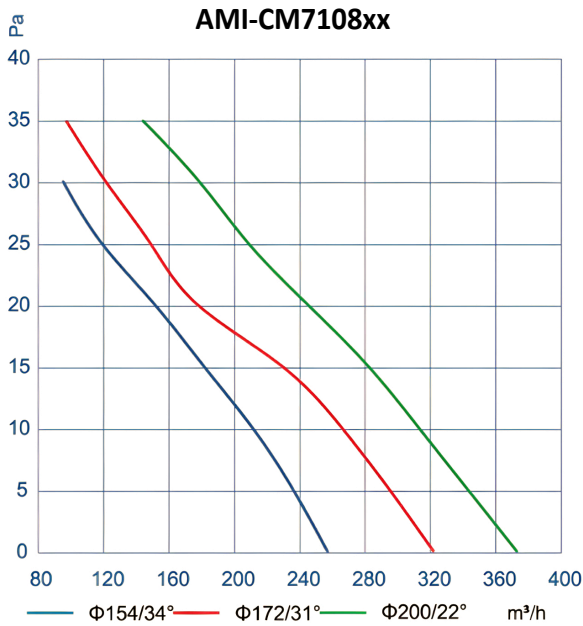
▪ Air performance curves at a constant speed of 1300 r/min with fan blades



▪ Air performance curves at a constant speed of 1300 r/min with fan blades



▪ Air performance curves at a constant speed of 1550 r/min with fan blades



DC AXIAL FANS

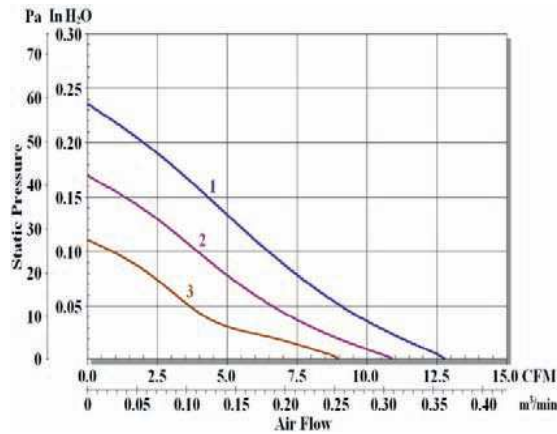
DC Axial Fan
AMI-AF10-BA Series
52x52x15mm



Specifications	
Air Flow	9 ~ 13 CFM
Housing	Thermoplastic PBT, UL94V-0
Impeller	Thermoplastic PBT, UL94V-0
Bearing	Ball or Sleeve
Termination	Lead Wire UL 2468 AWG#26 or Equivalent Red Wire Positive (+); Black Wire Negative (-), Yellow Wire Function (3)
Operating Temperature	-10 C to + 70 C for Sleeve Type -20 C to + 80 C for Ball Type
Weight(g)	33.6g

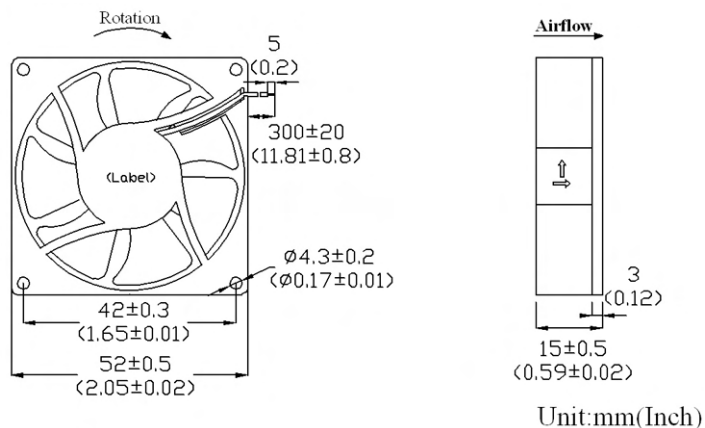
Characteristic Curves:

Approvals: **UL** **CE**

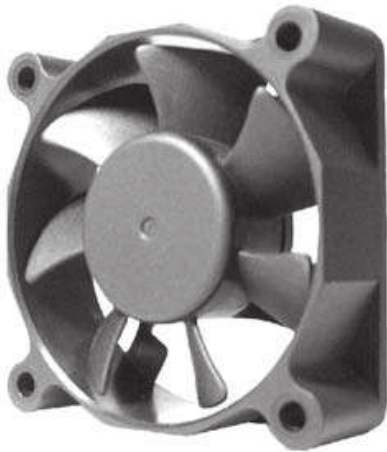


Item Code	Rated Voltage	Rated Current (A)	Input Power (W)	Speed RPM	Max Air CFM	Flow m³/min	Noise dB(A)
AMI-AF10-BAS052PL00	5V	0.21	1.1	6000	13	0.36	38
AMI-AF10-BAS052PL01	5V	0.15	0.8	5000	11	0.31	32
AMI-AF10-BAS052PL02	5V	0.10	0.5	4000	9	0.25	26
AMI-AF10-BAP052PL00	12V	0.11	1.4	6000	13	0.36	38
AMI-AF10-BAP052PL01	12V	0.09	1.1	5000	11	0.31	32
AMI-AF10-BAP052PL02	12V	0.07	0.8	4000	9	0.25	26
AMI-AF10-BAF052PL00	24V	0.06	1.5	6000	13	0.36	38
AMI-AF10-BAF052PL01	24V	0.05	1.2	5000	11	0.31	32

Outline Drawing: Unit: mm(inch)



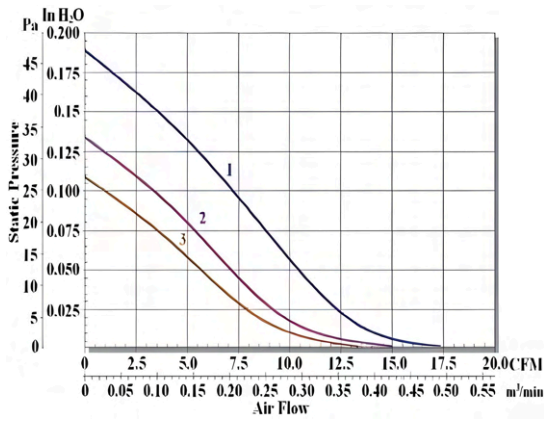
DC Axial Fan
AMI-AF10-BA Series
60x60x15mm



Specifications	
Air Flow	13 ~ 17 CFM
Housing	Thermoplastic PBT, UL94V-0
Impeller	Thermoplastic PBT, UL94V-0
Bearing	Ball or Sleeve
Termination	Lead Wire UL 2468 AWG#26 or Equivalent Red Wire Positive (+); Black Wire Negative (-), Yellow Wire Function (3)
Operating Temperature	-10 C to + 70 C for Sleeve Type -20 C to + 80 C for Ball Type
Weight(g)	38.2g

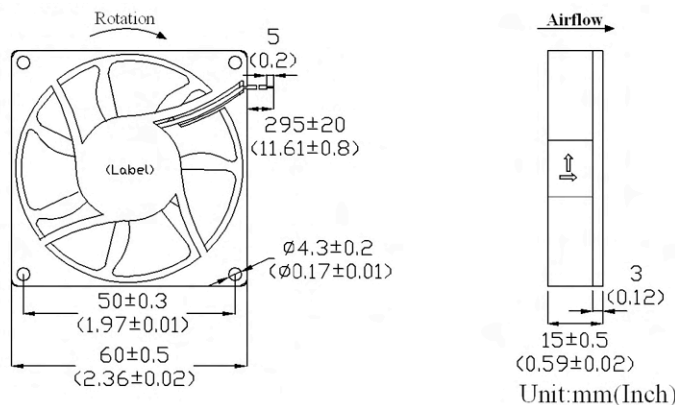
Characteristic Curves:

Approvals:

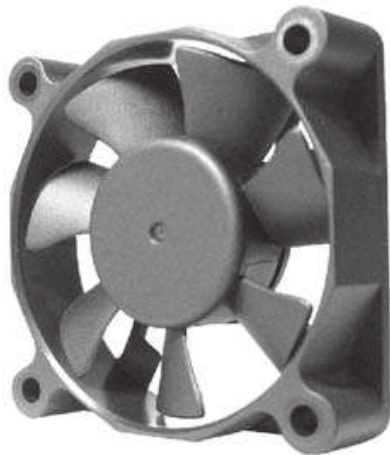


Item Code	Rated Voltage	Rated Current (A)	Input Power (W)	Speed RPM	Max Air CFM	Flow m³/min	Noise dB(A)
AMI-AF10-BAS060PL00	5V	0.28	1.4	4500	17	0.49	37
AMI-AF10-BAS060PL01	5V	0.18	0.9	3900	15	0.42	32
AMI-AF10-BAS060PL02	5V	0.13	0.7	3300	13	0.37	28
AMI-AF10-BAP060PL01	12V	0.13	1.6	4500	17	0.49	37
AMI-AF10-BAP060PL00	12V	0.09	1.1	3900	15	0.42	32
AMI-AF10-BAP060PL02	12V	0.07	0.9	3300	13	0.37	28
AMI-AF10-BAF060PL00	24V	0.08	1.9	4500	17	0.49	37
AMI-AF10-BAF060PL01	24V	0.06	1.4	3900	15	0.42	32

Outline Drawing: Unit: mm(inch)



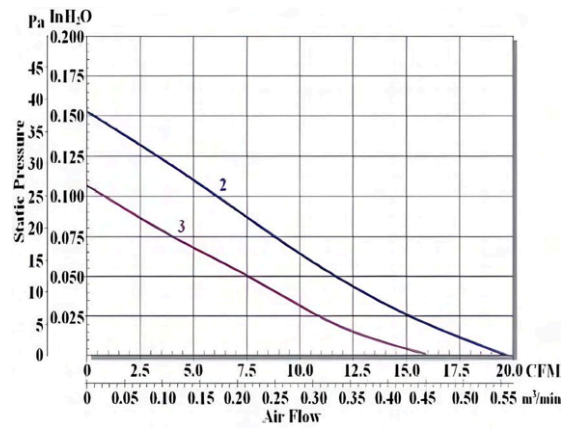
DC Axial Fan
AMI-AF10-BA Series
60x60x20mm



Specifications	
Air Flow	16 ~ 20 CFM
Housing	Thermoplastic PBT, UL94V-0
Impeller	Thermoplastic PBT, UL94V-0
Bearing	Ball or Sleeve
Termination	Lead Wire UL 2468 AWG#26 or Equivalent Red Wire Positive (+); Black Wire Negative (-), Yellow Wire Function (3)
Operating Temperature	-10 C to + 70 C for Sleeve Type -20 C to + 80 C for Ball Type
Weight(g)	44g

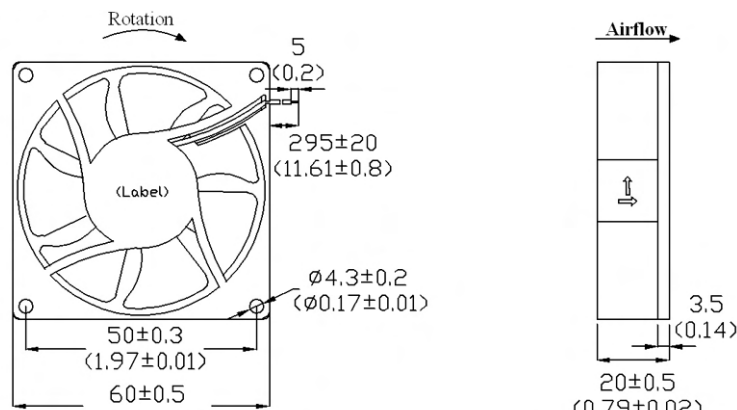
Characteristic Curves:

Approvals: **UL** **CE**

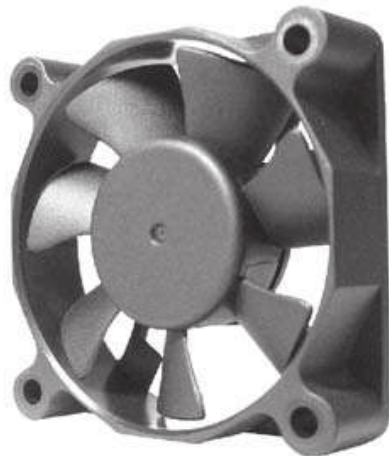


Item Code	Rated Voltage	Rated Current (A)	Input Power (W)	Speed RPM	Max Air Flow CFM	Flow m³/min	Noise dB(A)
AMI-AF10-BAP060PL03	12V	0.12	1.5	4300	20	0.49	35
AMI-AF10-BAP060PL04	12V	0.08	1.0	3500	16	0.42	28
AMI-AF10-BAF060PL02	24V	0.07	1.7	4300	20	0.37	35
AMI-AF10-BAF060PL03	24V	0.04	1.0	3500	16	0.49	28

Outline Drawing: Unit: mm(inch)



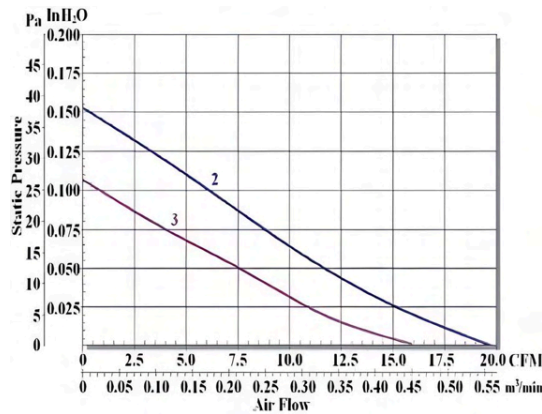
DC Axial Fan
AMI-AF10-BA Series
60x60x25mm



Specifications	
Air Flow	16 ~ 20 CFM
Housing	Thermoplastic PBT, UL94V-0
Impeller	Thermoplastic PBT, UL94V-0
Bearing	Ball or Sleeve
Termination	Lead Wire UL 2468 AWG#26 or Equivalent Red Wire Positive (+); Black Wire Negative (-), Yellow Wire Function (3)
Operating Temperature	-10 C to + 70 C for Sleeve Type -20 C to + 80 C for Ball Type
Weight(g)	49g

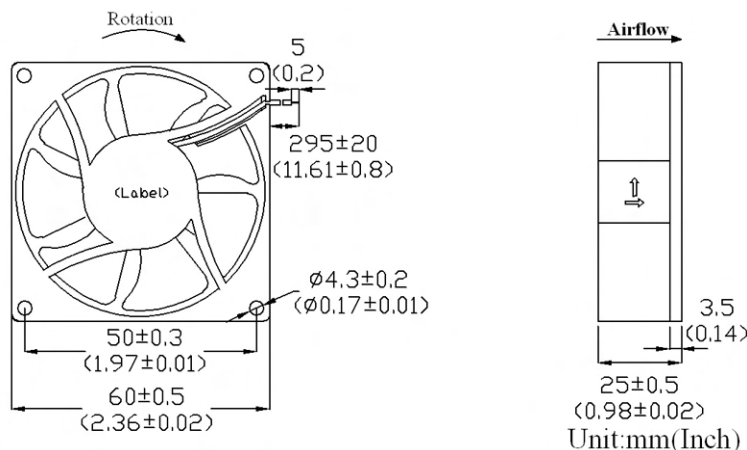
Characteristic Curves:

Approvals: **UL** **CE**

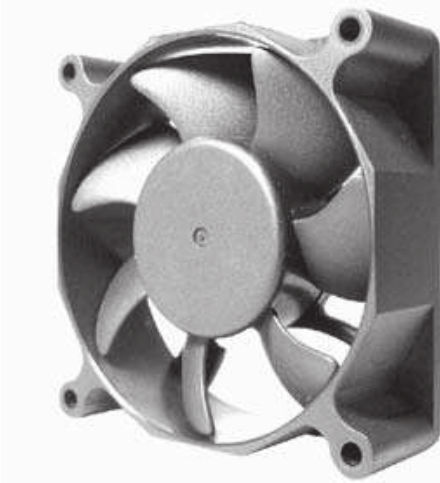


Item Code	Rated Voltage	Rated Current (A)	Input Power (W)	Speed RPM	Max Air CFM	Flow m ³ /min	Noise dB(A)
AMI-AF10-BAP060PL05	12V	0.12	1.5	4300	20	0.56	35
AMI-AF10-BAP060PL06	12V	0.08	1.0	3500	16	0.46	28
AMI-AF10-BAF060PL07	24V	0.07	1.7	4300	20	0.56	35
AMI-AF10-BAF060PL08	24V	0.04	1.0	3500	16	0.46	28

Outline Drawing: Unit: mm(inch)



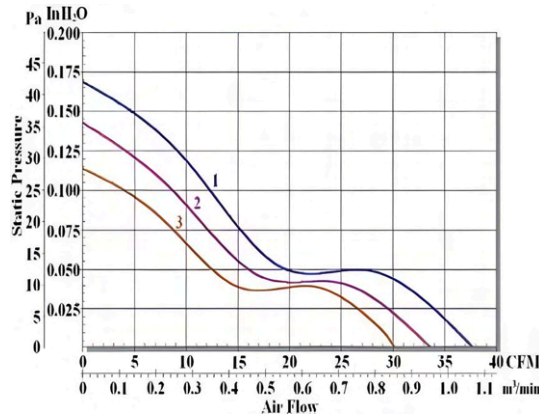
DC Axial Fan
AMI-AF10-BA Series
80x80x25mm



Specifications	
Air Flow	30 ~ 37 CFM
Housing	Thermoplastic PBT, UL94V-0
Impeller	Thermoplastic PBT, UL94V-0
Bearing	Ball or Sleeve
Termination	Lead Wire UL 1007 AWG#24 or Equivalent Red Wire Positive (+); Black Wire Negative (-), Yellow Wire Function (3)
Operating Temperature	-10 C to + 70 C for Sleeve Type -20 C to + 80 C for Ball Type
Weight(g)	100g

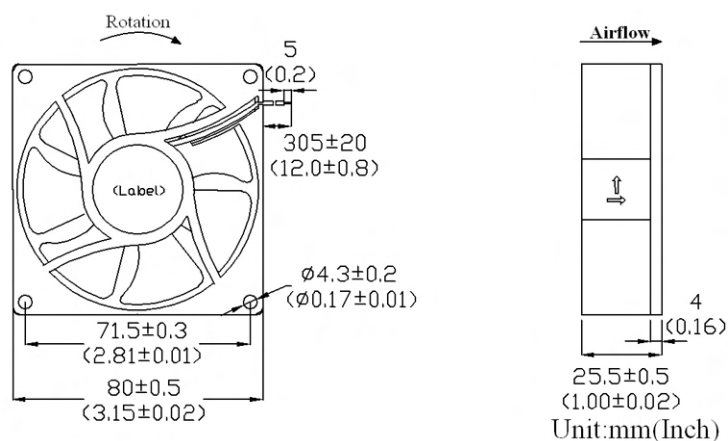
Characteristic Curves:

Approvals:



Item Code	Rated Voltage	Rated Current (A)	Input Power (W)	Speed RPM	Max Air CFM	Flow m³/min	Noise dB(A)
AMI-AF10-BAP060PL08	12V	0.19	2.3	3200	37	1.06	37
AMI-AF10-BAP060PL09	12V	0.14	1.7	2900	34	0.95	35
AMI-AF10-BAP060PL10	12V	0.11	1.4	2600	30	0.86	31
AMI-AF10-BAF060PL10	24V	0.10	2.4	3200	37	1.06	37
AMI-AF10-BAF060PL11	24V	0.08	1.9	2900	34	0.95	35
AMI-AF10-BAF060PL12	24V	0.07	1.7	2600	30	0.86	31
AMI-AF10-BAE080PL00	48V	0.08	3.9	3200	37	1.06	37
AMI-AF10-BAE080PL01	48V	0.07	3.4	2900	34	0.95	35
AMI-AF10-BAE080PL02	48V	0.06	2.9	2600	30	0.86	31

Outline Drawing: Unit: mm(inch)



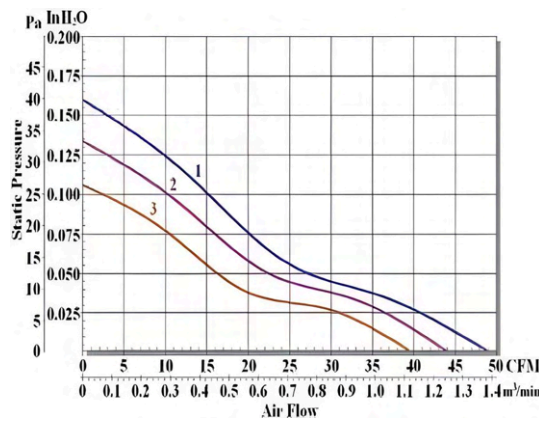
DC Axial Fan
AMI-AF10-BA Series
92x92x25mm



Specifications	
Air Flow	39 ~ 48 CFM
Housing	Thermoplastic PBT, UL94V-0
Impeller	Thermoplastic PBT, UL94V-0
Bearing	Ball or Sleeve
Termination	Lead Wire UL 1007 AWG#24 or Equivalent Red Wire Positive (+); Black Wire Negative (-), Yellow Wire Function (3)
Operating Temperature	-10 C to + 70 C for Sleeve Type -20 C to + 80 C for Ball Type
Weight(g)	115g

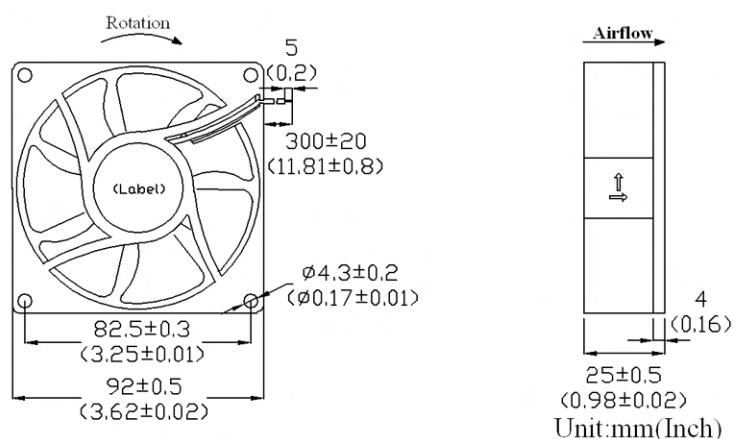
Characteristic Curves:

Approvals: **UL** **CE**

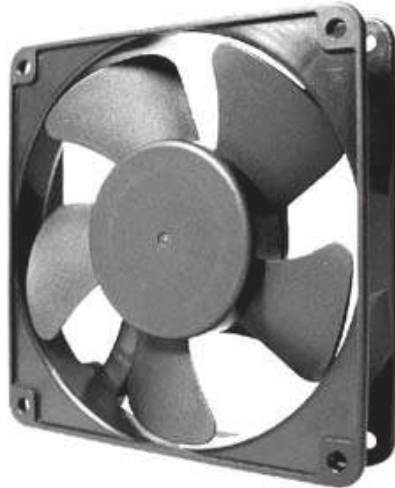


Item Code	Rated Voltage	Rated Current (A)	Input Power (W)	Speed RPM	Max Air CFM	Flow m³/min	Noise dB(A)
AMI-AF10-BAP092PL00	12V	0.20	2.4	2900	48	1.37	37
AMI-AF10-BAP092PL01	12V	0.15	1.8	2700	44	1.25	35
AMI-AF10-BAP092PL02	12V	0.12	1.5	2400	39	1.11	32
AMI-AF10-BAF092PL00	24V	0.11	2.6	2900	48	1.37	37
AMI-AF10-BAF092PL01	24V	0.09	2.2	2700	44	1.25	35
AMI-AF10-BAF092PL02	24V	0.08	1.9	2400	39	1.11	32
AMI-AF10-BAE092PL00	48V	0.09	4.3	2900	48	1.37	37
AMI-AF10-BAE092PL01	48V	0.08	3.9	2700	44	1.25	35
AMI-AF10-BAE092PL02	48V	0.07	3.4	2400	39	1.11	32

Outline Drawing: Unit: mm(inch)



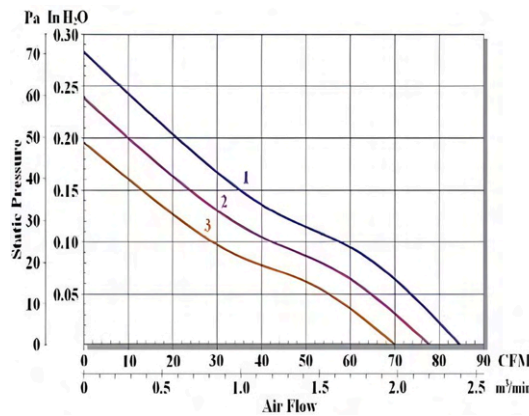
DC Axial Fan
AMI-AF10-BA Series
120x120x25mm



Specifications	
Air Flow	70 ~ 84 CFM
Housing	Thermoplastic PBT, UL94V-0
Impeller	Thermoplastic PBT, UL94V-0
Bearing	Ball or Sleeve
Termination	Lead Wire UL 1007 AWG#24 or Equivalent Red Wire Positive (+); Black Wire Negative (-), Yellow Wire Function (3)
Operating Temperature	-10 C to + 70 C for Sleeve Type -20 C to + 80 C for Ball Type
Weight(g)	135g

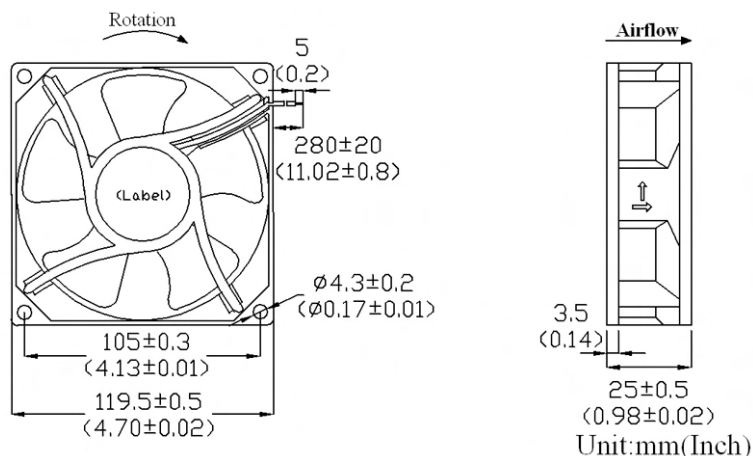
Characteristic Curves:

Approvals:

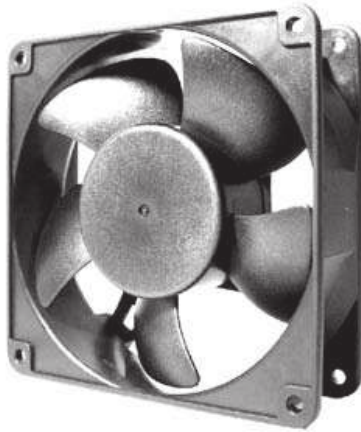


Item Code	Rated Voltage	Rated Current (A)	Input Power (W)	Speed RPM	Max Air CFM	Flow m³/min	Noise dB(A)
AMI-AF10-BAP120PL00	12V	0.36	4.3	3200	84	2.39	48
AMI-AF10-BAP120PL01	12V	0.29	3.5	2900	78	2.20	45
AMI-AF10-BAP120PL02	12V	0.20	2.4	2600	70	1.97	42
AMI-AF10-BAF120PL00	24V	0.19	4.7	3200	84	2.39	48
AMI-AF10-BAF120PL01	24V	0.15	3.6	2900	78	2.20	45
AMI-AF10-BAF120PL02	24V	0.12	2.9	2600	70	1.97	42
AMI-AF10-BAE120PL00	48V	0.11	5.3	3200	84	2.39	48
AMI-AF10-BAE120PL01	48V	0.08	3.8	2900	78	2.20	45
AMI-AF10-BAE120PL02	48V	0.07	3.4	2600	70	1.97	42

Outline Drawing: Unit: mm(inch)



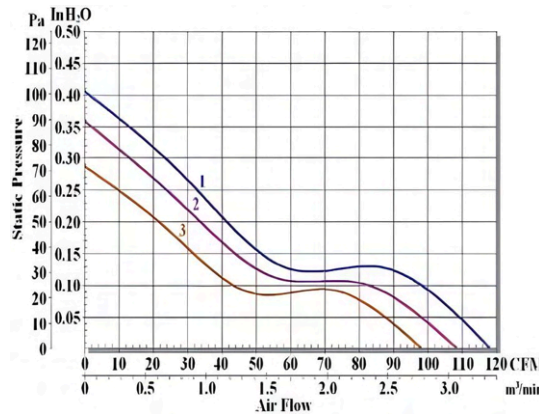
DC Axial Fan
AMI-AF10-BA Series
120x120x38mm



Specifications	
Air Flow	98 ~ 115 CFM
Housing	Thermoplastic PBT, UL94V-0
Impeller	Thermoplastic PBT, UL94V-0
Bearing	Ball or Sleeve
Termination	Lead Wire UL 1007 AWG#24 or Equivalent Red Wire Positive (+); Black Wire Negative (-), Yellow Wire Function (3)
Operating Temperature	-10 C to + 70 C for Sleeve Type -20 C to + 80 C for Ball Type
Weight(g)	320g

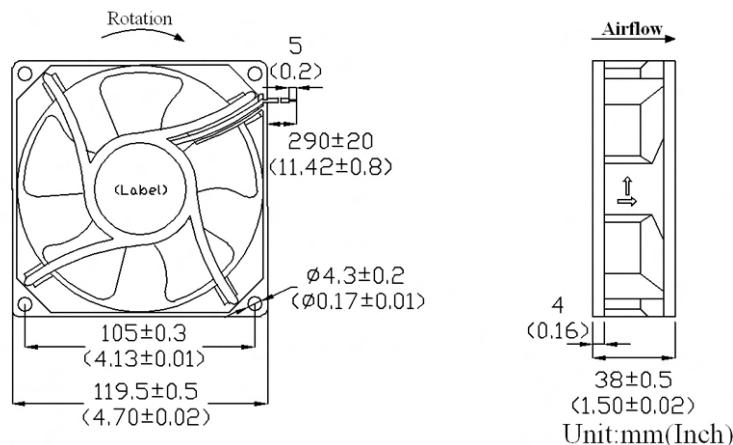
Characteristic Curves:

Approvals: **UL** **CE**



Item Code	Rated Voltage	Rated Current (A)	Input Power (W)	Speed RPM	Max Air CFM	Flow m³/min	Noise dB(A)
AMI-AF10-BAP120PL03	12V	0.9	11	3200	118	3.33	50
AMI-AF10-BAP120PL04	12V	0.67	8	2900	108	3.06	47
AMI-AF10-BAP120PL05	12V	0.5	6	2600	98	2.78	43
AMI-AF10-BAF120PL03	24V	0.42	10	3200	118	3.33	50
AMI-AF10-BAF120PL04	24V	0.32	7.7	2900	108	3.06	47
AMI-AF10-BAF120PL05	24V	0.24	5.8	2600	98	2.78	43
AMI-AF10-BAE120PL03	48V	0.21	10	3200	118	3.33	50
AMI-AF10-BAE120PL04	48V	0.16	7.7	2900	108	3.06	47
AMI-AF10-BAE120PL05	48V	0.13	6.3	2600	98	2.78	43

Outline Drawing: Unit: mm(inch)



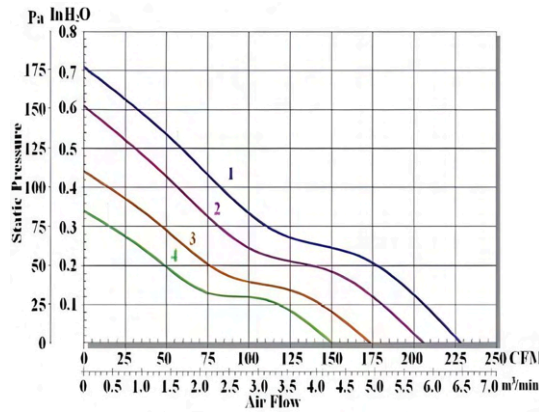
DC Axial Fan
AMI-AF10-BA Series
150x172x51mm



Specifications	
Air Flow	150 ~ 229 CFM
Housing	Die-Cast Aluminum, Painted Black
Impeller	Fiberglass- Reinforced Polycarbonate
Bearing	Ball or Sleeve
Termination	Lead Wire UL 1007 AWG#24 or Equivalent Red Wire Positive (+); Black Wire Negative (-), Yellow Wire Function (3)
Operating Temperature	-20°C to + 80°C
Weight(g)	792g

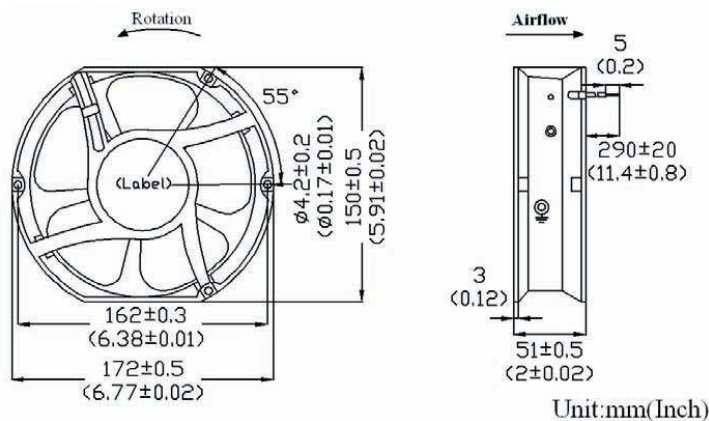
Characteristic Curves:

Approvals: **UL** **us** **CE**



Item Code	Rated Voltage	Rated Current (A)	Input Power (W)	Speed RPM	Max Air CFM	Flow m ³ /min	Noise dB(A)
AMI-AF10-BAP150PL00	12V	1.9	23	3400	229	6.5	58
AMI-AF10-BAP150PL01	12V	1.4	17	3000	206	5.8	56
AMI-AF10-BAP150PL02	12V	0.86	11	2600	174	4.9	52
AMI-AF10-BAP150PL03	12V	0.6	7	2200	150	4.2	46
AMI-AF10-BAF150PL00	24V	0.9	22	3400	229	6.5	58
AMI-AF10-BAF150PL01	24V	0.65	16	3000	206	5.8	56
AMI-AF10-BAF150PL02	24V	0.43	11	2600	174	4.9	52
AMI-AF10-BAF150PL03	24V	0.3	7	2200	150	4.2	46
AMI-AF10-BAE150PL00	48V	0.52	25	3400	229	6.5	58
AMI-AF10-BAE150PL01	48V	0.4	19	3000	206	5.8	56
AMI-AF10-BAE150PL02	48V	0.28	13	2600	174	4.9	52
AMI-AF10-BAE150PL03	48V	0.19	9	2200	150	4.2	46

Outline Drawing: Unit: mm(inch)



AC AXIAL FANS

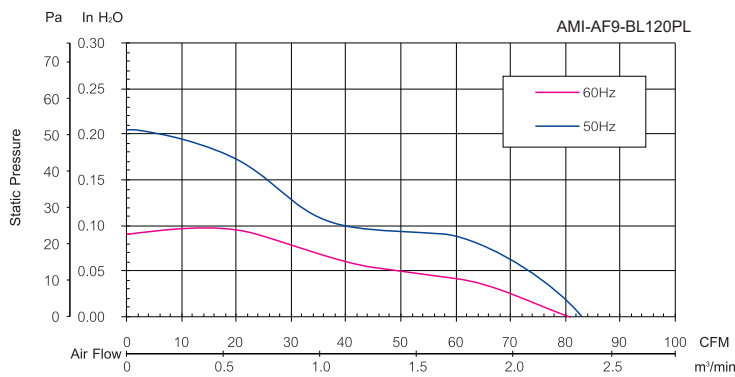
AC Axial Fan
AMI-AF9-BL120PL Series
120x120x38mm



Specifications	
Air Flow	81 ~ 83 CFM
Housing	Die-Cast Aluminum, Painted Black
Impeller	Thermoplastic PBT, UL94V-0
Bearing	Ball or Sleeve
Termination	Terminals or Lead Wire
Operating Voltage Range	85VAC to 125VAC for 115V Type 185VAC to 245 VAC for 230V Type
Insulation	Class "B" or "F"
Safety	Impedance Protected
Operating Temperature	-10°C to + 70°C for Sleeve Type -20°C to + 80°C for Ball Type
Weight	515g

Item Code	Bearing Availability	Rated Voltage	Frequency (Hz)	Rated Current(A)	Input Power(W)	Speed (RPM)	Air Flow (CFM)	Air Flow (m³/min)	Static Pressure (inch-H ₂ O)	Noise dB(A)
AMI-AF9-BD120PL04	B,S	115V	50/60	0.14/0.13	11/11	2500/2500	83/81	2.30/2.20	0.20/0.09	43/42
AMI-AF9-BL120PL04	B,S	230V	50/60	0.07/0.06	12/11	2500/2500	83/81	2.30/2.20	0.20/0.09	43/42

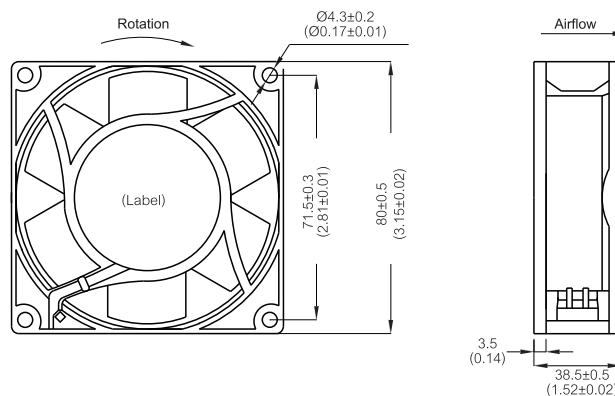
Characteristic Curves:



Approvals:



Outline Drawing: Unit:mm(inch)



AC Axial Fan
AMI-AF9-BD80PL Series
80x80x38mm

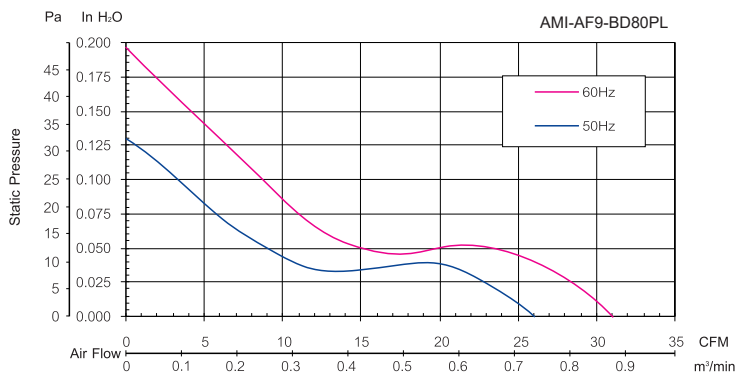


Specifications	
Air Flow	26~ 31 CFM
Housing	Die-Cast Aluminum, Painted Black
Impeller	Thermoplastic PBT, UL94V-0
Bearing	Ball or Sleeve
Termination	Terminals or Lead Wire
Operating Voltage Range	85VAC to 125VAC for 115V Type 185VAC to 245 VAC for 230V Type
Insulation	Class "B" or "F"
Safety	Impedance Protected
Operating Temperature	-10°C to + 70°C for Sleeve Type -20°C to + 80°C for Ball Type
Weight(g)	232g

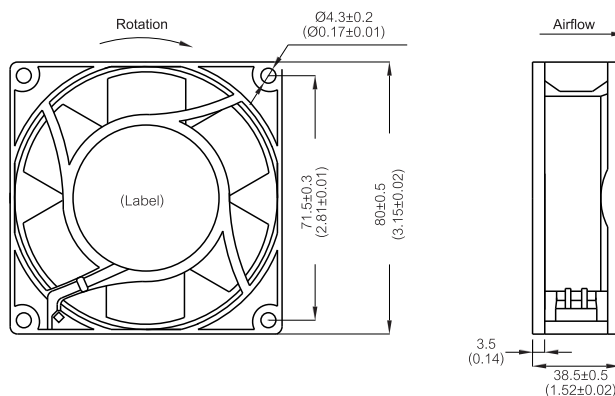
Item Code	Bearing Availability	Rated Voltage	Frequency (Hz)	Rated Current(A)	Input Power(W)	Speed (RPM)	Air Flow (CFM)	Air Flow (m³/min)	Static Pressure (inch-H ₂ O)	Noise dB(A)
AMI-AF9-BD80PL02	B,S	115V	50/60	0.15/0.12	11/9	2700/3100	26/31	0.75/0.90	0.13/0.20	35/39
AMI-AF9-BL80PL02	B,S	230V	50/60	0.08/0.06	11/9	2700/3100	26/31	0.75/0.90	0.13/0.20	35/39

Characteristic Curves:

Approvals:



Outline Drawing: Unit:mm(inch)



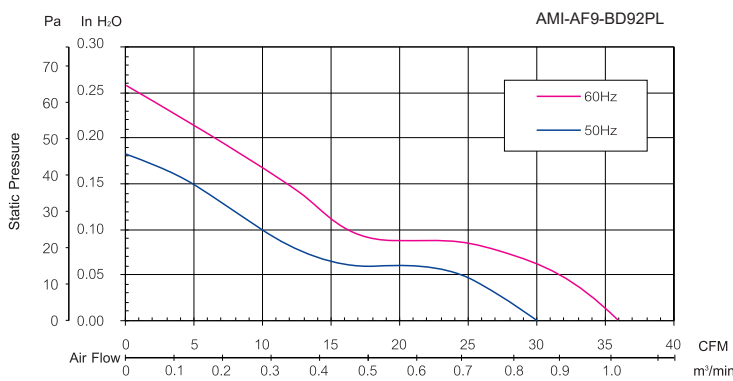
AC Axial Fan
AMI-AF9-BD92PL Series
92x92x25mm



Specifications	
Air Flow	30 ~ 83 CFM
Housing	Die-Cast Aluminum, Painted Black
Impeller	Thermoplastic PBT, UL94V-0
Bearing	Ball or Sleeve
Termination	Terminals or Lead Wire
Operating Voltage Range	85VAC to 125VAC for 115V Type 185VAC to 245 VAC for 230V Type
Insulation	Class "B" or "F"
Safety	Impedance Protected
Operating Temperature	-10°C to + 70°C for Sleeve Type -20°C to + 80°C for Ball Type
Weight	300g

Item Code	Bearing Availability	Rated Voltage	Frequency (Hz)	Rated Current(A)	Input Power(W)	Speed (RPM)	Air Flow (CFM)	Air Flow (m ³ /min)	Static Pressure (inch-H ₂ O)	Noise dB(A)
AMI-AF9-BD9L0P22	B,S	115V	50/60	0.14/0.11	11/9	2700/3200	30/36	0.85/1.00	0.18/0.26	40/45
AMI-AF9-BP9L0P22	B,S	230V	50/60	0.07/0.06	12/10	2600/3100	30/36	0.85/1.00	0.18/0.26	40/45

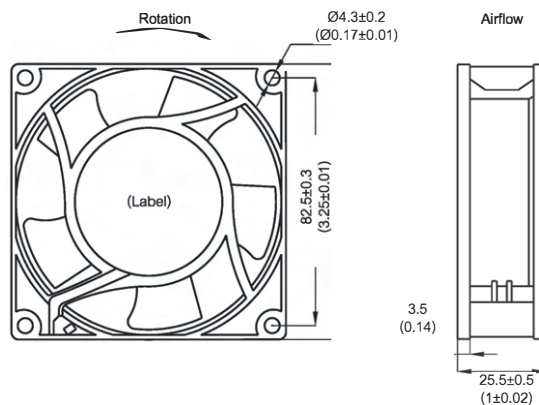
Characteristic Curves:



Approvals:



Outline Drawing: Unit:mm(inch)



AC Axial Fan
AMI-AF9-BD92PL Series
92x92x38mm



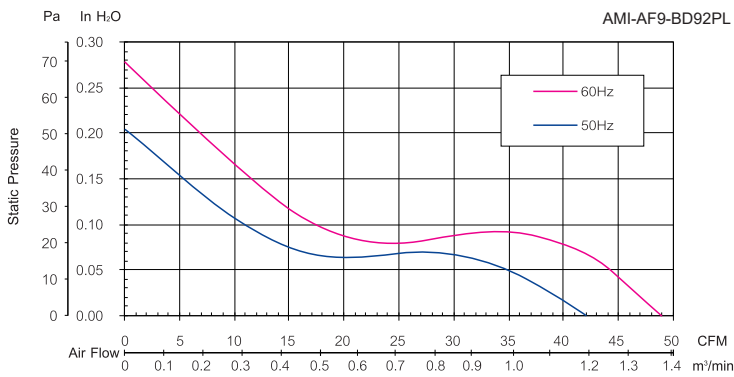
Specifications	
Air Flow	42~ 49 CFM
Housing	Die-Cast Aluminum, Painted Black
Impeller	Thermoplastic PBT, UL94V-0
Bearing	Ball or Sleeve
Termination	Terminals or Lead Wire
Operating Voltage Range	85VAC to 125VAC for 115V Type 185VAC to 245 VAC for 230V Type
Insulation	Class "B" or "F"
Safety	Impedance Protected
Operating Temperature	-10°C to + 70°C for Sleeve Type -20°C to + 80°C for Ball Type
Weight(g)	446g

Item Code	Bearing Availability	Rated Voltage	Frequency (Hz)	Rated Current(A)	Input Power(W)	Speed (RPM)	Air Flow (CFM)	Air Flow (m³/min)	Static Pressure (inch-H ₂ O)	Noise dB(A)
AMI-AF9-BD92PL01	B,S	115V	50/60	0.19/0.15	14/11	2800/3200	42/49	1.20/1.40	0.20/0.28	40/45
AMI-AF9-BL92PL01	B,S	230V	50/60	0.10/0.08	15/12	2800/3200	42/49	1.20/1.40	0.20/0.28	40/45

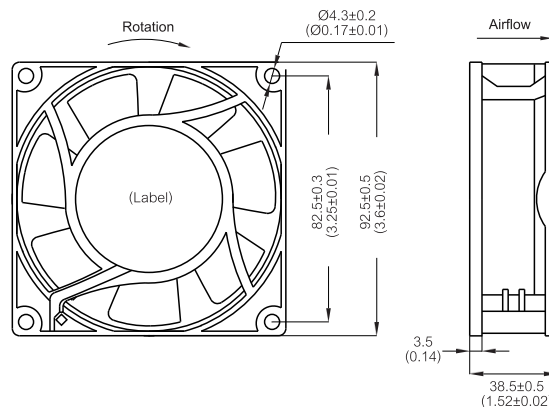
For "Sleeve" bearing version, change the "B" in the model number to "S".
 For "Terminal" version, change the "L" in the model number to "T"

Characteristic Curves:

Approvals:



Outline Drawing: Unit:mm(inch)



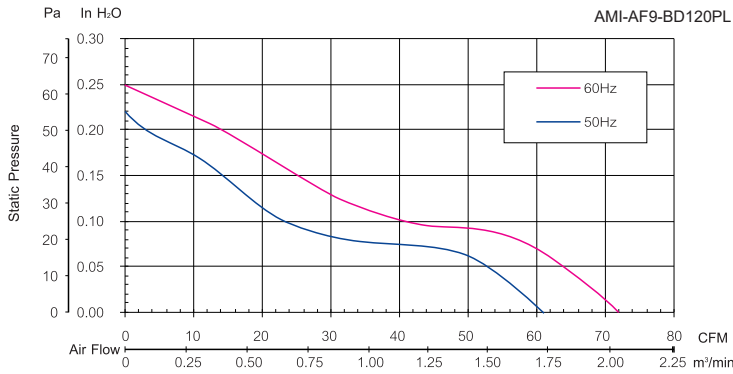
AC Axial Fan
AMI-AF9-BD120PL Series
120x120x25mm



Specifications	
Air Flow	61 ~ 72 CFM
Housing	Die-Cast Aluminum, Painted Black
Impeller	Thermoplastic PBT, UL94V-0
Bearing	Ball or Sleeve
Termination	Terminals or Lead Wire
Operating Voltage Range	85VAC to 125VAC for 115V Type 185VAC to 245 VAC for 230V Type
Insulation	Class "B" or "F"
Safety	Impedance Protected
Operating Temperature	-10°C to + 70°C for Sleeve Type -20°C to + 80°C for Ball Type
Weight	346g

Item Code	Bearing Availability	Rated Voltage	Frequency (Hz)	Rated Current(A)	Input Power(W)	Speed (RPM)	Air Flow (CFM)	Air Flow (m³/min)	Static Pressure (inch-H ₂ O)	Noise dB(A)
AMI-AF9-BD120PL00	B,S	115V	50/60	0.15/0.12	13/10	2600/3100	61/72	1.80/2.00	0.22/0.25	42/45
AMI-AF9-BL120PL00	B,S	230V	50/60	0.07/0.06	13/10	2600/3000	61/72	1.80/2.00	0.22/0.25	42/45

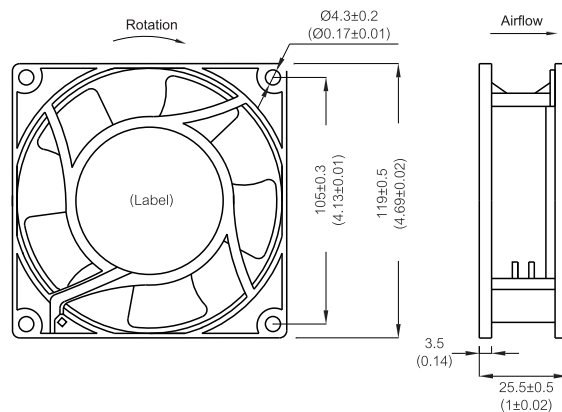
Characteristic Curves:



Approvals:



Outline Drawing: Unit:mm(inch)



AC Axial Fan
AMI-AF9-BL120PL Series
120x120x38mm

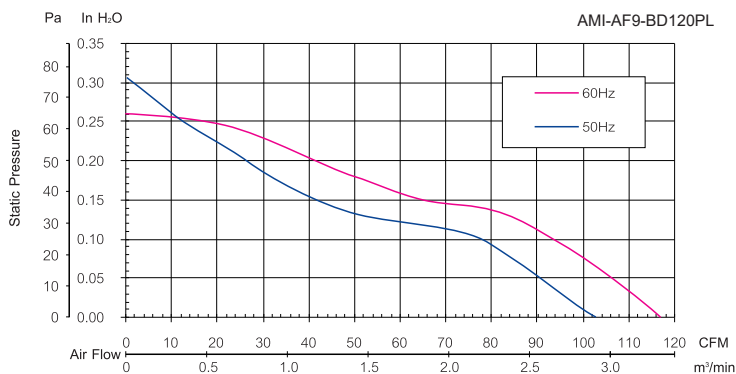


Specifications	
Air Flow	103 ~ 117 CFM
Housing	Die-Cast Aluminum, Painted Black
Impeller	Thermoplastic PBT, UL94V-0
Bearing	Ball or Sleeve
Termination	Terminals or Lead Wire
Operating Voltage Range	85VAC to 125VAC for 115V Type 185VAC to 245 VAC for 230V Type
Insulation	Class "B" or "F"
Safety	Impedance Protected
Operating Temperature	-10°C to + 70°C for Sleeve Type -20°C to + 80°C for Ball Type
Weight(g)	515g

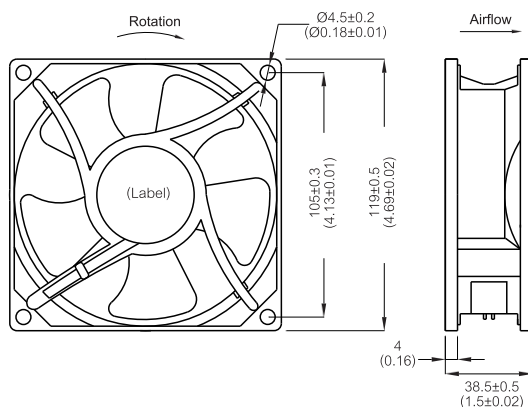
Item Code	Bearing Availability	Rated Voltage	Frequency (Hz)	Rated Current(A)	Input Power(W)	Speed (RPM)	Air Flow (CFM)	Air Flow (m³/min)	Static Pressure (inch-H ₂ O)	Noise dB(A)
AMI-AF9-BD120PL01	B,S	115V	50/60	0.22/0.18	16/14	2700/3000	103/117	2.90/3.30	0.31/0.26	43/47
AMI-AF9-BL120PL01	B,S	230V	50/60	0.11/0.09	16/14	2700/3100	103/117	2.90/3.30	0.31/0.26	43/47

Characteristic Curves:

Approvals:



Outline Drawing: Unit:mm(inch)



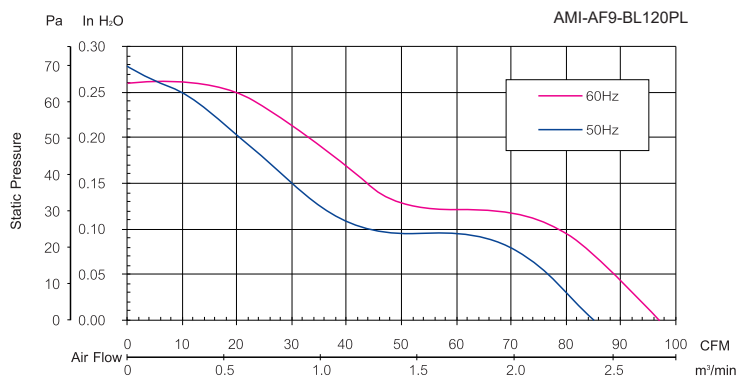
AC Axial Fan
AMI-AF9-BL120PL Series
120x120x38mm



Specifications	
Air Flow	85 ~ 97 CFM
Housing	Die-Cast Aluminum, Painted Black
Impeller	Thermoplastic PBT, UL94V-0
Bearing	Ball or Sleeve
Termination	Terminals or Lead Wire
Operating Voltage Range	85VAC to 125VAC for 115V Type 185VAC to 245 VAC for 230V Type
Insulation	Class "B" or "F"
Safety	Impedance Protected
Operating Temperature	-10°C to + 70°C for Sleeve Type -20°C to + 80°C for Ball Type
Weight	515g

Item Code	Bearing Availability	Rated Voltage	Frequency (Hz)	Rated Current(A)	Input Power(W)	Speed (RPM)	Air Flow (CFM)	Air Flow (m³/min)	Static Pressure (inch-H ₂ O)	Noise dB(A)
AMI-AF9-BD120PL02	B,S	115V	50/60	0.26/0.21	20/16	2600/3000	85/97	2.40/2.80	0.28/0.26	44/48
AMI-AF9-BL120PL02	B,S	230V	50/60	0.13/0.10	20/16	2700/3100	85/97	2.40/2.80	0.28/0.26	44/48

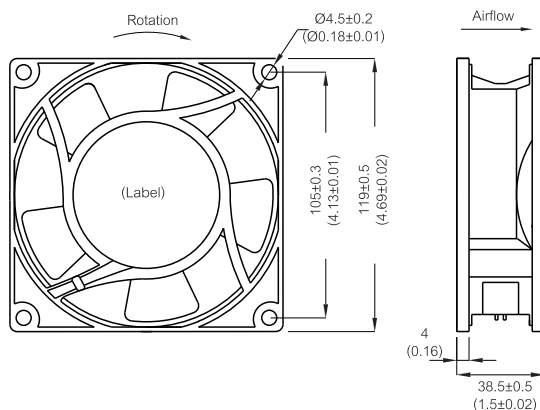
Characteristic Curves:



Approvals:



Outline Drawing: Unit:mm(inch)



AC Axial Fan
AMI-AF9-BL120PL Series
120x120x38mm

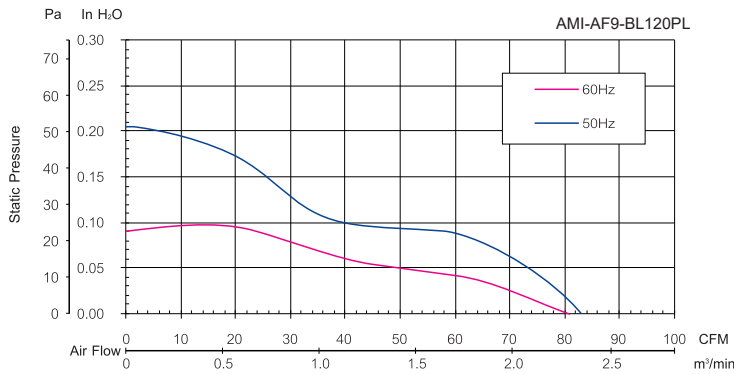


Specifications	
Air Flow	81 ~ 83 CFM
Housing	Die-Cast Aluminum, Painted Black
Impeller	Thermoplastic PBT, UL94V-0
Bearing	Ball or Sleeve
Termination	Terminals or Lead Wire
Operating Voltage Range	85VAC to 125VAC for 115V Type 185VAC to 245 VAC for 230V Type
Insulation	Class "B" or "F"
Safety	Impedance Protected
Operating Temperature	-10°C to + 70°C for Sleeve Type -20°C to + 80°C for Ball Type
Weight(g)	515g

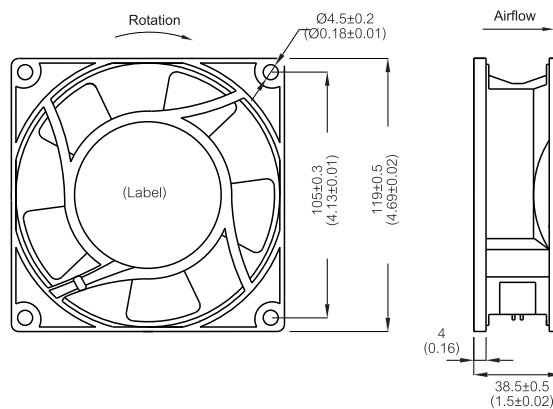
Item Code	Bearing Availability	Rated Voltage	Frequency (Hz)	Rated Current(A)	Input Power(W)	Speed (RPM)	Air Flow (CFM)	Air Flow (m³/min)	Static Pressure (inch-H ₂ O)	Noise dB(A)
AMI-AF9-BD120PL04	B,S	115V	50/60	0.14/0.13	11/11	2500/2500	83/81	2.30/2.20	0.20/0.09	43/42
AMI-AF9-BL120PL04	B,S	230V	50/60	0.07/0.06	12/11	2500/2500	83/81	2.30/2.20	0.20/0.09	43/42

Characteristic Curves:

Approvals:



Outline Drawing: Unit:mm(inch)



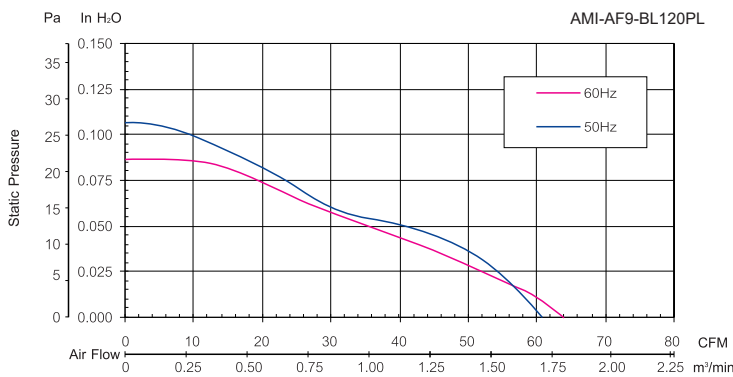
AC Axial Fan
AMI-AF9-BL120PL Series
120x120x38mm



Specifications	
Air Flow	61 ~ 64 CFM
Housing	Die-Cast Aluminum, Painted Black
Impeller	Thermoplastic PBT, UL94V-0
Bearing	Ball or Sleeve
Termination	Terminals or Lead Wire
Operating Voltage Range	85VAC to 125VAC for 115V Type 185VAC to 245 VAC for 230V Type
Insulation	Class "B" or "F"
Safety	Impedance Protected
Operating Temperature	-10°C to + 70°C for Sleeve Type -20°C to + 80°C for Ball Type
Weight	515g

Item Code	Bearing Availability	Rated Voltage	Frequency (Hz)	Rated Current(A)	Input Power(W)	Speed (RPM)	Air Flow (CFM)	Air Flow (m³/min)	Static Pressure (inch-H₂O)	Noise dB(A)
AMI-AF9-BD120PL05	B,S	115V	50/60	0.13/0.11	11/10	2000/1900	61/64	1.70/1.80	0.11/0.08	34/35
AMI-AF9-BL120PL05	B,S	230V	50/60	0.07/0.06	12/10	1900/2000	61/64	1.70/1.80	0.11/0.08	34/35

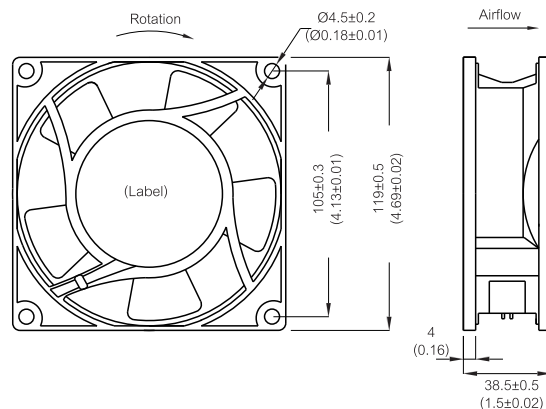
Characteristic Curves:



Approvals:



Outline Drawing: Unit:mm(inch)



AC Axial Fan
AMI-AF9-BL120PL Series
120x120x38mm

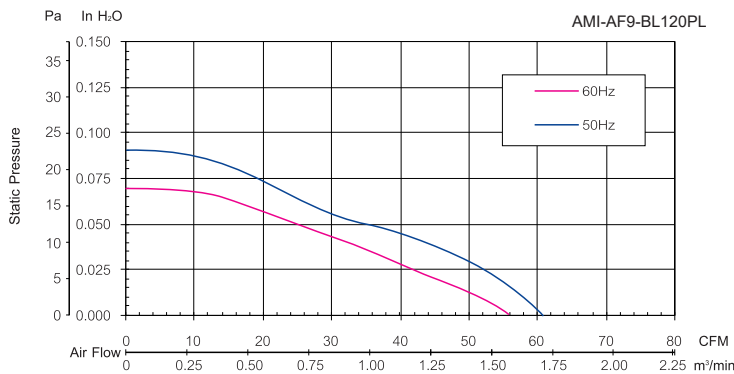


Specifications	
Air Flow	56 ~ 61 CFM
Housing	Die-Cast Aluminum, Painted Black
Impeller	Thermoplastic PBT, UL94V-0
Bearing	Ball or Sleeve
Termination	Terminals or Lead Wire
Operating Voltage Range	85VAC to 125VAC for 115V Type 185VAC to 245 VAC for 230V Type
Insulation	Class "B" or "F"
Safety	Impedance Protected
Operating Temperature	-10°C to + 70°C for Sleeve Type -20°C to + 80°C for Ball Type
Weight(g)	515g

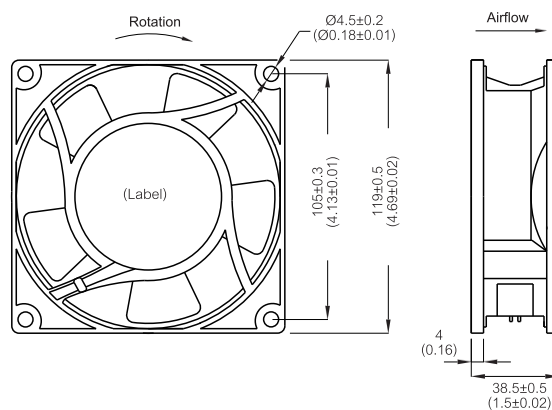
Item Code	Bearing Availability	Rated Voltage	Frequency (Hz)	Rated Current(A)	Input Power(W)	Speed (RPM)	Air Flow (CFM)	Air Flow (m³/min)	Static Pressure (inch-H ₂ O)	Noise dB(A)
AMI-AF9-BD120PL05	B,S	115V	50/60	0.08/0.07	7/6	1900/1700	61/56	1.70/1.50	0.09/0.07	34/33
AMI-AF9-BL120PL05	B,S	230V	50/60	0.05/0.04	9/8	1900/1800	59/59	1.60/1.60	0.09/0.07	33/33

Characteristic Curves:

Approvals:



Outline Drawing: Unit:mm(inch)



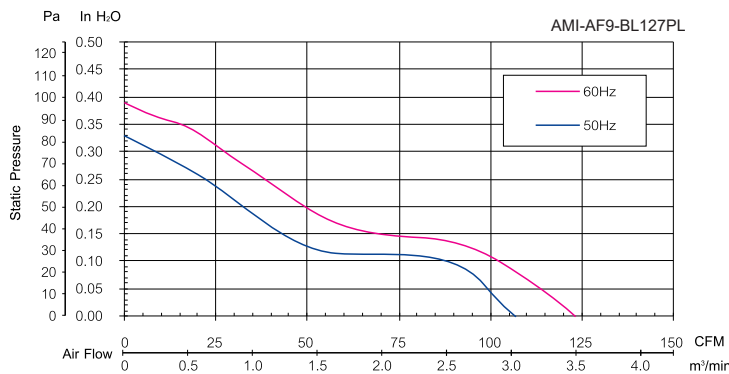
AC Axial Fan
AMI-AF9-BL172PL Series
151x172x38mm



Specifications	
Air Flow	99 ~ 229 CFM
Housing	Die-Cast Aluminum, Painted Black
Impeller	Thermoplastic PBT, UL94V-0
Bearing	Ball
Termination	Terminals or Lead Wire
Operating Voltage Range	85VAC to 125VAC for 115V Type 185VAC to 245 VAC for 230V Type
Insulation	Class "B" or "F"
Safety	Thermally Protected (Auto Restart)
Operating Temperature	-20°C to + 80°C
Weight	693g

Item Code	Rated Voltage	Frequency (Hz)	Rated Current(A)	Input Power(W)	Speed (RPM)	Air Flow (CFM)	Air Flow (m³/min)	Static Pressure (inch-H ₂ O)	Noise dB(A)
AMI-AF9-BD172PL00	115V	50/60	0.22/0.29	25/32	2900/3300	198/225	5.60/6.40	0.64/0.47	58/62
AMI-AF9-BL172PL00	230V	50/60	0.11/0.14	25/31	2900/3400	198/229	5.60/6.50	0.64/0.70	58/62
AMI-AF9-BD172PL01	115V	50/60	0.15/0.15	16/16	1450/1735	100/119	2.80/3.40	0.18/0.25	40/45
AMI-AF9-BL172PL01	230V	50/60	0.06/0.07	14/13	1450/1730	99/117	2.80/3.30	0.18/0.24	40/45

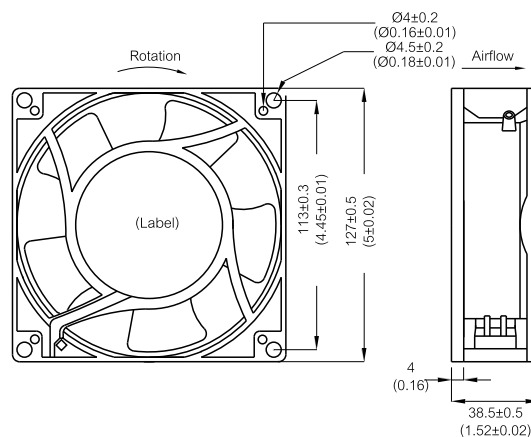
Characteristic Curves:



Approvals:



Outline Drawing: Unit:mm(inch)



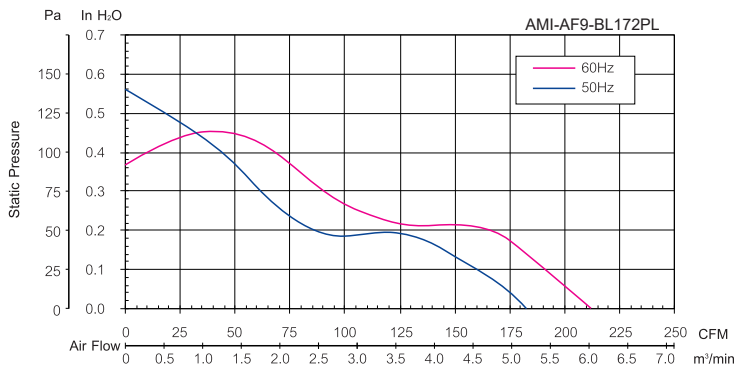
AC Axial Fan
AMI-AF9-BL172PL Series
151x172x51mm



Specifications	
Air Flow	178 ~ 212 CFM
Housing	Die-Cast Aluminum, Painted Black
Impeller	Thermoplastic PBT, UL94V-0
Bearing	Ball
Termination	Terminals or Lead Wire
Operating Voltage Range	85VAC to 125VAC for 115V Type 185VAC to 245 VAC for 230V Type
Insulation	Class "B" or "F"
Safety	Thermally protected (Auto Restart)/ Impedance Protected
Operating Temperature	-20°C to + 80°C
Weight	875g

Item Code	Rated Voltage	Frequency (Hz)	Rated Current(A)	Input Power(W)	Speed (RPM)	Air Flow (CFM)	Air Flow (m³/min)	Static Pressure (inch-H ₂ O)	Noise dB(A)
AMI-AF9-BD172PL02	115V	50/60	0.76/0.53	47/36	2800/3300	178/210	5.00/5.90	0.56/0.37	54/58
AMI-AF9-BL172PL02	230V	50/60	0.41/0.29	51/39	2800/3300	183/212	5.20/6.00	0.56/0.37	54/58

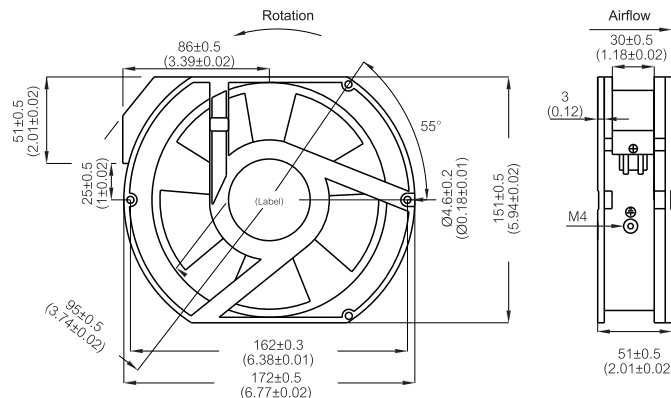
Characteristic Curves:



Approvals:



Outline Drawing: Unit:mm(inch)



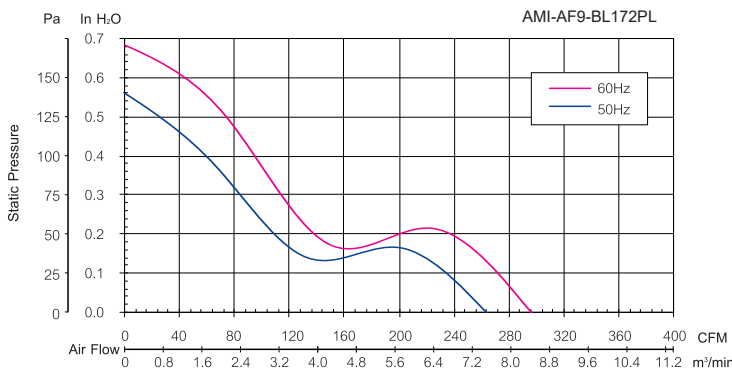
AC Axial Fan
AMI-AF9-BL172PL Series
151x172x51mm



Specifications	
Air Flow	260 ~ 295 CFM
Housing	Die-Cast Aluminum, Painted Black
Impeller	Injection Molded of Flame Retardant Polycarbonate, Black
Bearing	Ball
Termination	Terminals or Lead Wire
Operating Voltage Range	85VAC to 125VAC for 115V Type 185VAC to 245 VAC for 230V Type
Insulation	Class "B" or "F"
Safety	Thermally protected (Auto Restart)/ Impedance Protected
Operating Temperature	-20°C to + 70°C
Weight	980g

Item Code	Rated Voltage	Frequency (Hz)	Rated Current(A)	Input Power(W)	Speed (RPM)	Air Flow (CFM)	Air Flow (m³/min)	Static Pressure (inch-H ₂ O)	Noise dB(A)
AMI-AF9-BD172PL03	115V	50/60	0.38/0.46	40/52	2750/3100	260/295	7.36/8.35	0.56/0.69	54/58
AMI-AF9-BL172PL03	230V	50/60	0.17/0.23	38/52	2750/3100	260/295	7.36/8.35	0.56/0.69	54/58

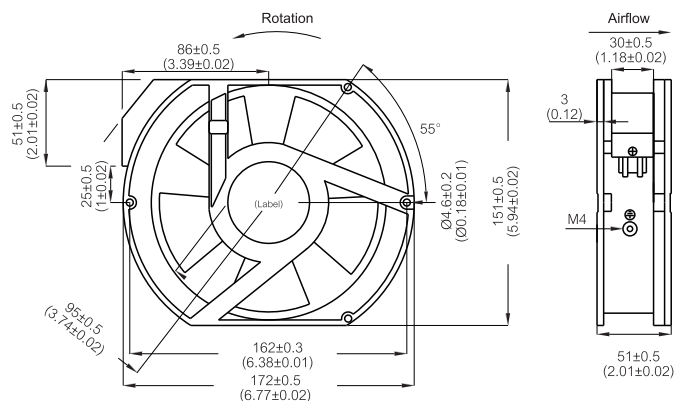
Characteristic Curves:



Approvals:



Outline Drawing: Unit:mm(inch)



AC Axial Fan
AMI-AF9-BL172PL Series
151x172x51mm

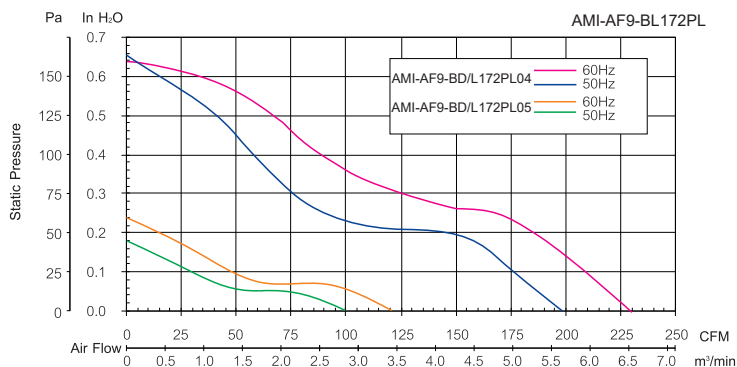


Specifications	
Air Flow	99 ~ 230 CFM
Housing	Die-Cast Aluminum, Painted Black
Impeller	Thermoplastic PBT, UL94V-0
Bearing	Ball
Termination	Terminals or Lead Wire
Operating Voltage Range	85VAC to 125VAC for 115V Type 185VAC to 245 VAC for 230V Type
Insulation	Class "B" or "F"
Safety	Thermally protected (Auto Restart)/ Impedance Protected
Operating Temperature	-20°C to + 80°C
Weight	875g

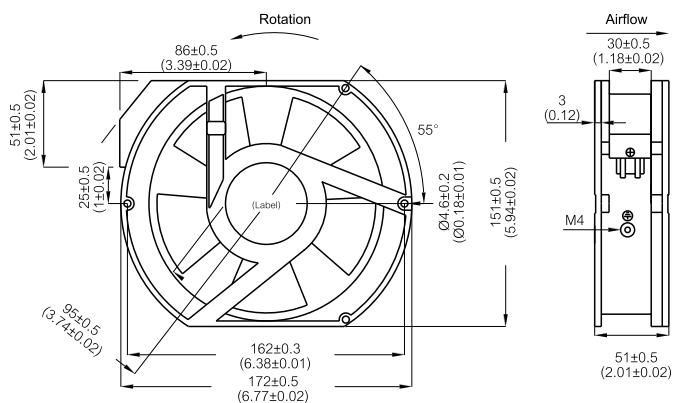
Item Code	Rated Voltage	Frequency (Hz)	Rated Current(A)	Input Power(W)	Speed (RPM)	Air Flow (CFM)	Air Flow (m³/min)	Static Pressure (inch-H₂O)	Noise dB(A)
AMI-AF9-BD172PL04	115V	50/60	0.22/0.28	25/31	2900/3300	198/226	5.60/6.40	0.66/0.40	57/61
AMI-AF9-BL172PL04	230V	50/60	0.11/0.15	25/32	2900/3300	198/230	5.60/6.50	0.66/0.64	57/61
AMI-AF9-BD172PL05	115V	50/60	0.15/0.15	17/16	1455/1470	99/118	2.80/3.40	0.18/0.26	39/45
AMI-AF9-BL172PL05	230V	50/60	0.06/0.07	14/14	1455/1735	99/119	2.80/3.40	0.18/0.25	39/44

Characteristic Curves:

Approvals:



Outline Drawing: Unit:mm(inch)



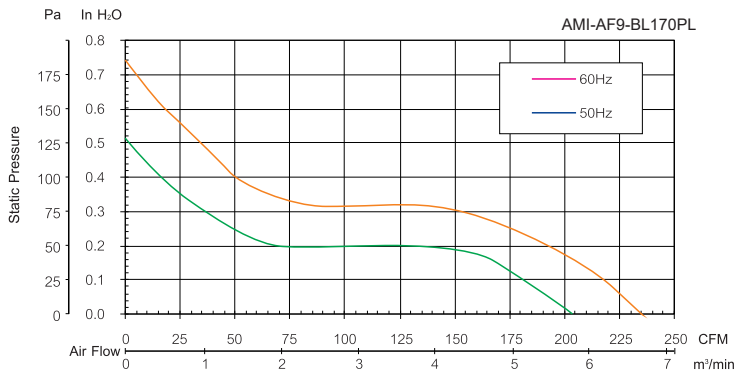
AC Axial Fan
AMI-AF9-BL170PL Series
150x170x55mm



Specifications	
Air Flow	202 ~ 239 CFM
Housing	Die-Cast Aluminum, Painted Black
Impeller	Injection Molded of Flame Retardant Polycarbonate, Black
Bearing	Ball
Termination	Lead Wire
Operating Voltage Range	85VAC to 125VAC for 115V Type 185VAC to 245 VAC for 230V Type
Insulation	Class "B" or "F"
Safety	Thermally Protected (Auto Restart)
Operating Temperature	-20°C to + 80°C
Weight	1000g

Item Code	Rated Voltage	Frequency (Hz)	Rated Current(A)	Input Power(W)	Speed (RPM)	Air Flow (CFM)	Air Flow (m³/min)	Static Pressure (inch-H ₂ O)	Noise dB(A)
AMI-AF9-BD170PL00	115V	50/60	0.34/0.38	38/44	2900/3400	204/235	5.80/6.70	0.58/0.74	57/61
AMI-AF9-BL170PL00	230V	50/60	0.17/0.19	37/43	2900/3400	202/239	5.70/6.80	0.58/0.74	57/61

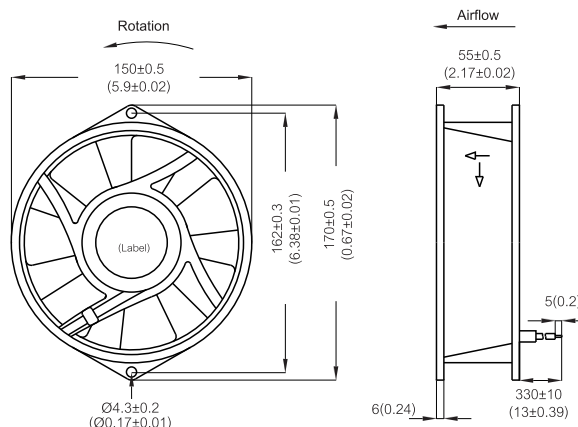
Characteristic Curves:



Approvals:



Outline Drawing: Unit:mm(inch)



AC Axial Fan
AMI-AF9-BL160PL Series
160x160x62mm

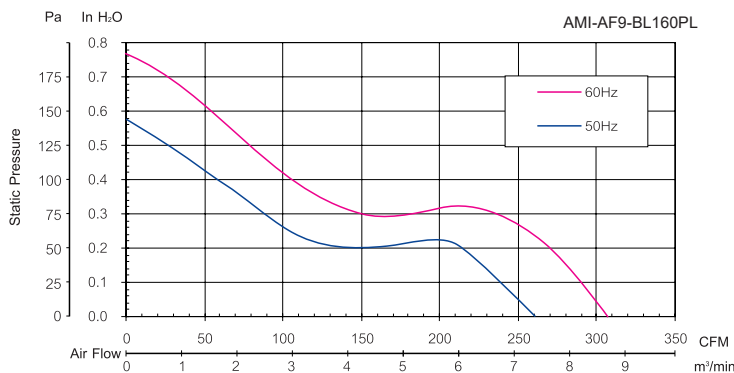


(Reverse Blow)

Specifications	
Air Flow	261 ~ 307 CFM
Housing	Die-Cast Aluminum, Painted Black
Impeller	Injection Molded of Flame Retardant Polycarbonate, Black
Bearing	Ball
Termination	Terminals or Lead Wire
Operating Voltage Range	85VAC to 125VAC for 115V Type 185VAC to 245 VAC for 230V Type
Insulation	Class "B" or "F"
Safety	Thermally protected (Auto Restart)
Operating Temperature	-20°C to + 80°C
Weight	1400g

Item Code	Rated Voltage	Frequency (Hz)	Rated Current(A)	Input Power(W)	Speed (RPM)	Air Flow (CFM)	Air Flow (m³/min)	Static Pressure (inch-H ₂ O)	Noise dB(A)
AMI-AF9-BD160PL00	115V	50/60	0.45/0.50	51/58	2900/3400	261/307	7.40/8.70	0.58/0.77	60/64
AMI-AF9-BL160PL00	230V	50/60	0.23/0.25	51/57	2900/3400	261/305	7.40/8.60	0.58/0.77	60/64

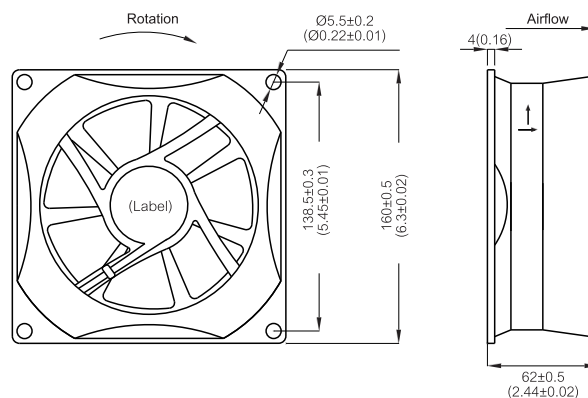
Characteristic Curves:



Approvals:



Outline Drawing: Unit:mm(inch)



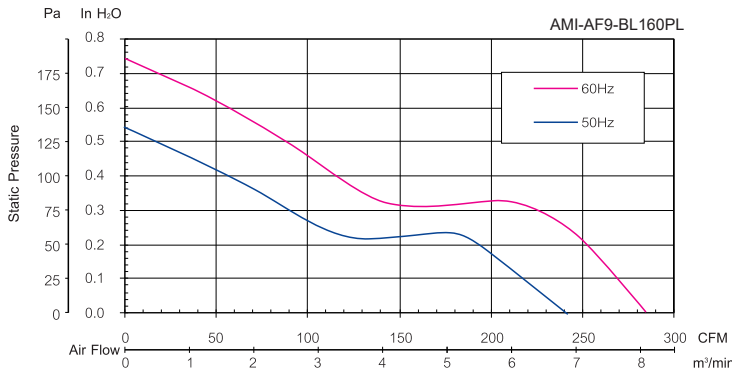
AC Axial Fan
AMI-AF9-BL160PL Series
160x160x62mm



Specifications	
Air Flow	239 ~ 288 CFM
Housing	Die-Cast Aluminum, Painted Black
Impeller	Injection Molded of Flame Retardant Polycarbonate, Black
Bearing	Ball
Termination	Terminals or Lead Wire
Operating Voltage Range	85VAC to 125VAC for 115V Type 185VAC to 245 VAC for 230V Type
Insulation	Class "B" or "F"
Safety	Thermally Protected (Auto Restart)
Operating Temperature	-20°C to + 80°C
Weight	1400g

Item Code	Rated Voltage	Frequency (Hz)	Rated Current(A)	Input Power(W)	Speed (RPM)	Air Flow (CFM)	Air Flow (m³/min)	Static Pressure (inch-H ₂ O)	Noise dB(A)
AMI-AF9-BD160PL01	115V	50/60	0.45/0.50	51/57	2900/3400	241/285	6.80/8.10	0.54/0.74	51/56
AMI-AF9-BL160PL01	230V	50/60	0.23/0.24	50/55	2900/3500	239/288	6.70/8.20	0.54/0.74	51/56

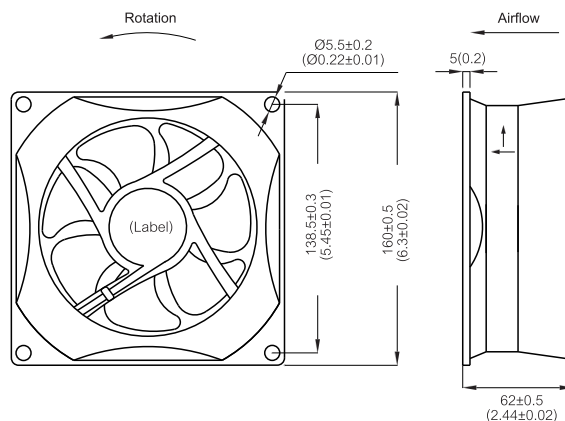
Characteristic Curves:



Approvals:



Outline Drawing: Unit:mm(inch)



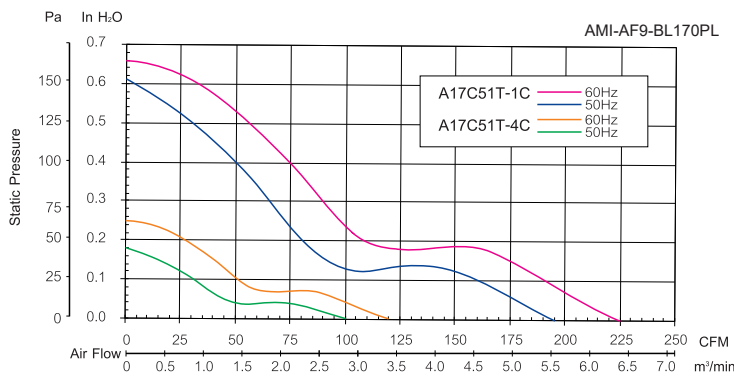
AC Axial Fan
AMI-AF9-BL170PL Series
Ø170x51mm



Specifications	
Air Flow	100 ~ 225 CFM
Housing	Die-Cast Aluminum, Painted Black
Impeller	Thermoplastic PBT, UL94V-0
Bearing	Ball
Termination	Terminals or Lead Wire
Operating Voltage Range	85VAC to 125VAC for 115V Type 185VAC to 245 VAC for 230V Type
Insulation	Class "B" or "F"
Safety	Thermally protected (Auto Restart)
Operating Temperature	-20°C to + 80°C
Weight	875g

Item Code	Rated Voltage	Frequency (Hz)	Rated Current(A)	Input Power(W)	Speed (RPM)	Air Flow (CFM)	Air Flow (m³/min)	Static Pressure (inch-H ₂ O)	Noise dB(A)
AMI-AF9-BD170PL01	115V	50/60	0.22/0.28	25/31	2900/3400	195/225	5.57/6.42	0.61/0.39	57/61
AMI-AF9-BL170PL01	230V	50/60	0.11/0.14	24/30	2900/3300	195/225	5.57/6.42	0.61/0.66	57/61
AMI-AF9-BD170PL02	115V	50/60	0.15/0.15	17/16	1450/1750	100/121	2.83/3.41	0.18/0.25	39/44
AMI-AF9-BL170PL02	230V	50/60	0.06/0.06	14/13	1450/1750	101/120	2.85/3.41	0.18/0.25	39/44

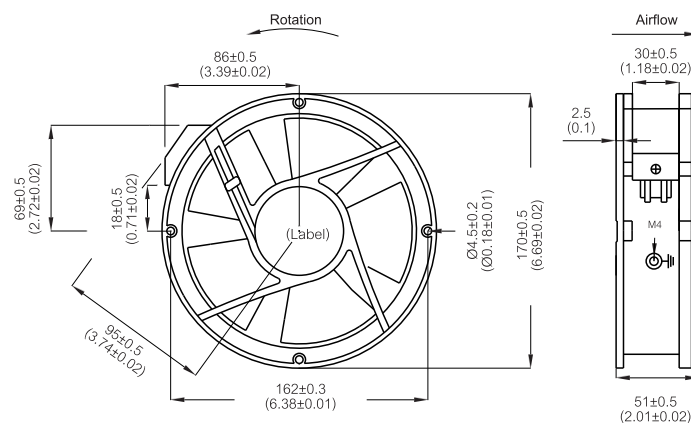
Characteristic Curves:



Approvals:



Outline Drawing: Unit:mm(inch)



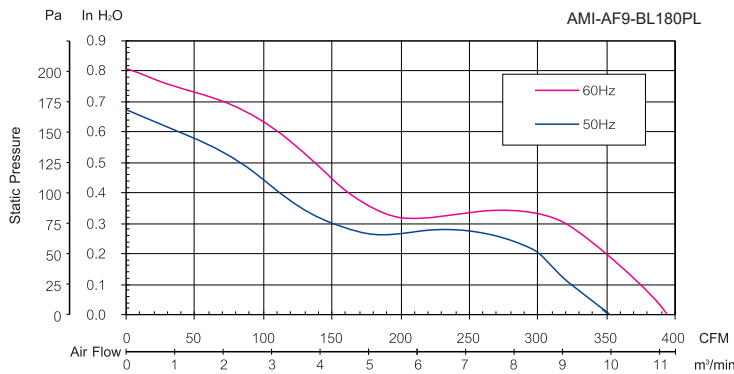
AC Axial Fan
AMI-AF9-BL180PL Series
180x180x65mm



Specifications	
Air Flow	342 ~ 394 CFM
Housing	Die-Cast Aluminum, Painted Black
Impeller	Injection Molded of Flame Retardant Polycarbonate, Black
Bearing	Ball
Termination	Terminals or Lead Wire
Operating Voltage Range	85VAC to 125VAC for 115V Type 185VAC to 245 VAC for 230V Type
Insulation	Class "B" or "F"
Safety	Thermally Protected (Auto Restart)
Operating Temperature	-20°C to + 80°C
Weight	1600g

Item Code	Rated Voltage	Frequency (Hz)	Rated Current(A)	Input Power(W)	Speed (RPM)	Air Flow (CFM)	Air Flow (m³/min)	Static Pressure (inch-H ₂ O)	Noise dB(A)
AMI-AF9-BD180PL00	115V	50/60	0.49/0.66	56/74	2800/3150	342/365	9.70/10.30	0.67/0.61	58/61
AMI-AF9-BL180PL00	230V	50/60	0.26/0.33	58/76	2900/3300	352/394	9.90/11.10	0.67/0.81	58/61

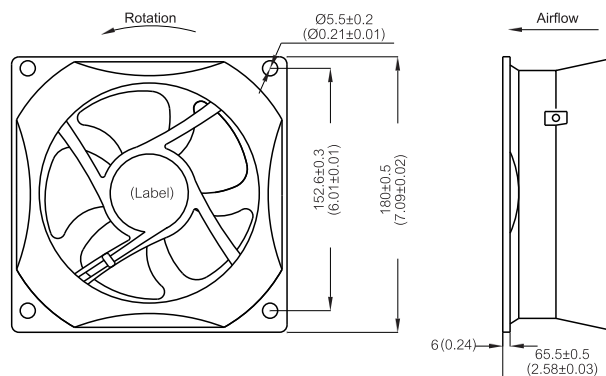
Characteristic Curves:



Approvals:



Outline Drawing: Unit:mm(inch)



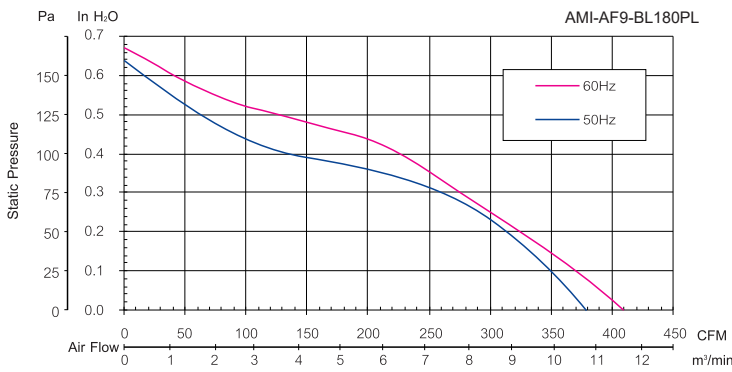
AC Axial Fan
AMI-AF9-BL180PL Series
180x180x90mm



Specifications	
Air Flow	376 ~ 434 CFM
Housing	Die-Cast Aluminum, Painted Black
Impeller	Injection Molded of Flame Retardant Polycarbonate, Black
Bearing	Ball
Termination	Terminals or Lead Wire
Operating Voltage Range	85VAC to 125VAC for 115V Type 185VAC to 245 VAC for 230V Type
Insulation	Class "B" or "F"
Safety	Thermally protected (Auto Restart)
Operating Temperature	-20°C to + 80°C
Weight	1600g

Item Code	Rated Voltage	Frequency (Hz)	Rated Current(A)	Input Power(W)	Speed (RPM)	Air Flow (CFM)	Air Flow (m³/min)	Static Pressure (inch-H ₂ O)	Noise dB(A)
AMI-AF9-BD180PL01	115V	50/60	0.47/0.66	57/77	2800/3000	376/409	10.60/11.60	0.64/0.67	58/61
AMI-AF9-BL180PL01	230V	50/60	0.25/0.33	58/76	2800/3200	378/434	10.70/12.30	0.79/0.73	58/62

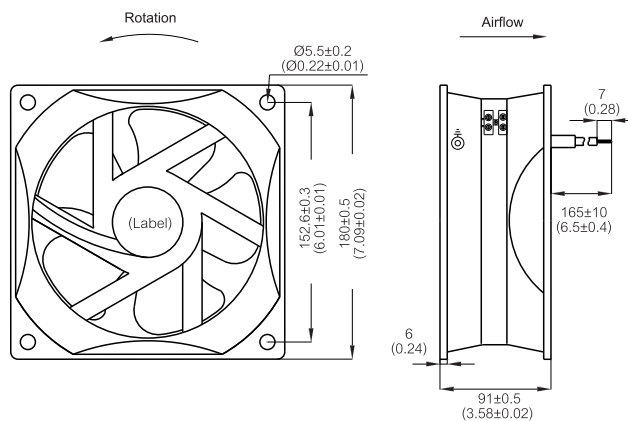
Characteristic Curves:



Approvals:



Outline Drawing: Unit:mm(inch)



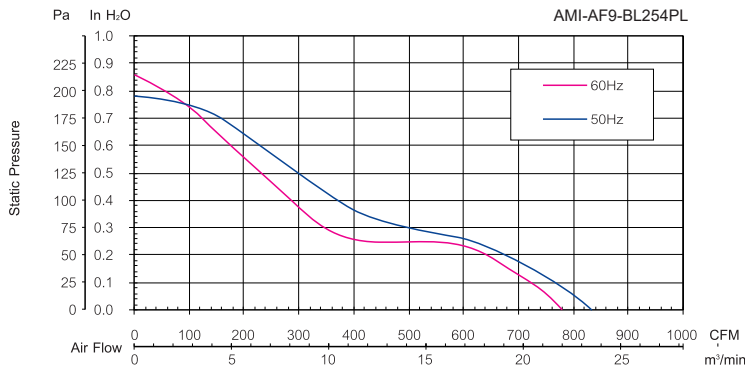
AC Axial Fan
AMI-AF9-BL254PL Series
Ø254x89mm



Specifications	
Air Flow	780 ~ 835 CFM
Housing	Die-Cast Aluminum, Painted Black
Impeller	Injection Molded of Flame Retardant Polycarbonate, Black
Bearing	Ball
Termination	Terminals or Lead Wire
Operating Voltage Range	85VAC to 125VAC for 115V Type 185VAC to 245 VAC for 230V Type
Insulation	Class "B" or "F"
Safety	Thermally protected (Auto Restart)
Operating Temperature	-30°C to + 80°C
Weight	1600g

Item Code	Rated Voltage	Frequency (Hz)	Rated Current(A)	Input Power(W)	Speed (RPM)	Air Flow (CFM)	Air Flow (m³/min)	Static Pressure (inch-H ₂ O)	Noise dB(A)
AMI-AF9-BD254PL00	115V	50/60	0.95/1.15	97/129	2550/2700	780/834	22.10/23.60	0.86/0.78	68/70
AMI-AF9-BL254PL00	230V	50/60	0.55/0.60	98/130	2600/2700	785/835	22.20/23.60	0.86/0.78	68/70

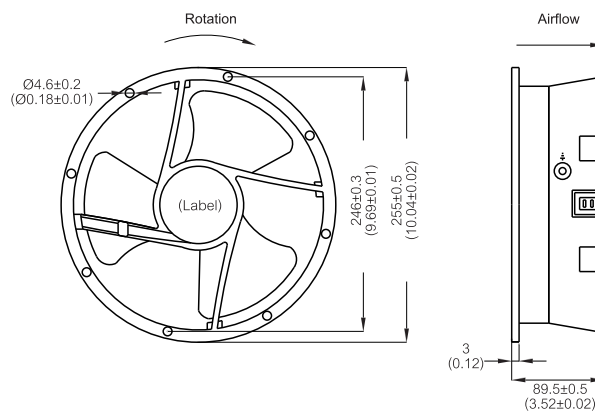
Characteristic Curves:



Approvals:



Outline Drawing: Unit:mm(inch)



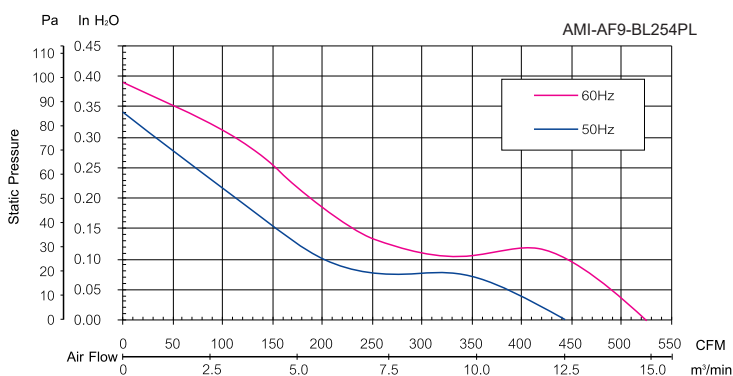
AC Axial Fan
AMI-AF9-BL254PL Series
Ø254x89mm



Specifications	
Air Flow	443 ~ 529 CFM
Housing	Die-Cast Aluminum, Painted Black
Impeller	Injection Molded of Flame Retardant Polycarbonate, Black
Bearing	Ball
Termination	Terminals or Lead Wire
Operating Voltage Range	85VAC to 125VAC for 115V Type 185VAC to 245 VAC for 230V Type
Insulation	Class "B" or "F"
Safety	Thermally protected (Auto Restart)
Operating Temperature	-30°C to + 80°C
Weight	1600g

Item Code	Rated Voltage	Frequency (Hz)	Rated Current(A)	Input Power(W)	Speed (RPM)	Air Flow (CFM)	Air Flow (m³/min)	Static Pressure (inch-H ₂ O)	Noise dB(A)
AMI-AF9-BD254PL01	115V	50/60	0.35/0.36	38/40	1400/1700	443/525	12.50/14.90	0.34/0.27	49/53
AMI-AF9-BL254PL01	230V	50/60	0.19/0.18	39/40	1400/1700	445/529	12.60/15.00	0.34/0.39	49/53

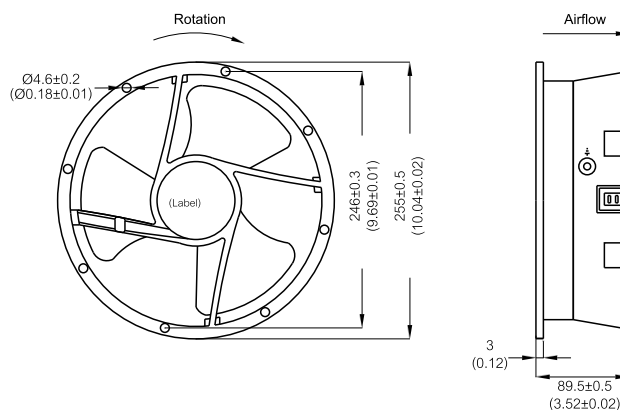
Characteristic Curves:



Approvals:



Outline Drawing: Unit:mm(inch)



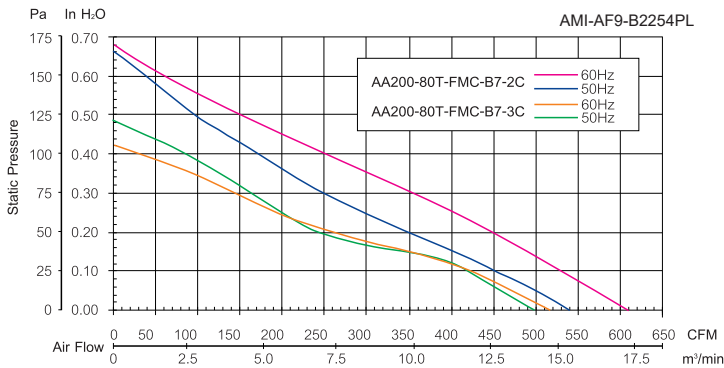
AC Square Axial Fan
AMI-AF9-B2254PL Series
125x225x80mm



Specifications	
Air Flow	500~610 CFM
Housing	Die-cast Aluminum
Blades	Sheet-Steel,Welded onto Rotor
Bearing	Dual Ball Bearing, Permanently Lubricated
Termination	Terminals
Operating Voltage Range	85VAC to 125VAC for 115V Type 185VAC to 245 VAC for 230V Type
Insulation	Class "B" or "F"
Safety	Thermally Protected (Auto Restart)
Operating Temperature	-20°C to +70°C(Humidity 30%~85% RH)
Weight	1920g

Item Code	Rated Voltage	Frequency (Hz)	Rated Current(A)	Input Power(W)	Speed (RPM)	Air Flow (CFM)	Air Flow (m³/min)	Static Pressure (inch-H ₂ O)	Noise dB(A)	Capacitor (μF)
AMI-AF9-BD225PL00	115V	50/60	0.68/0.65	66/74	2500/2800	535/610	15.15/18.12	0.66/0.68	60/63	6μF 200VAC
AMI-AF9-BL225PL00	230V	50/60	0.33/0.33	66/74	2500/2800	535/610	15.15/18.12	0.66/0.68	60/63	1.5μF 400VAC
AMI-AF9-BD225PL01	115V	50/60	0.40/0.53	46/60	2350/2450	500/515	14.16/14.58	0.48/0.42	58/59	6μF 200VAC
AMI-AF9-BL225PL01	230V	50/60	0.19/0.26	46/60	2350/2450	500/515	14.16/14.58	0.48/0.42	58/59	1.5μF 400VAC

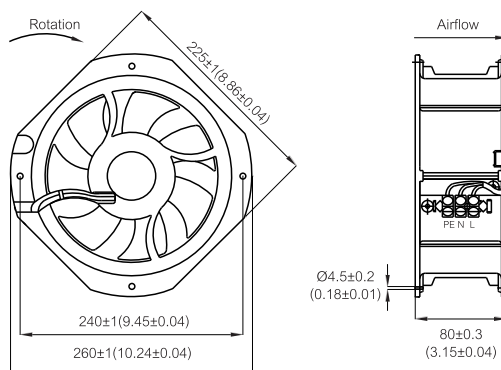
Characteristic Curves:



Approvals:



Outline Drawing: Unit:mm(inch)



AC Square Axial Fan
AMI-AF9-B280PL Series
280x280x80mm

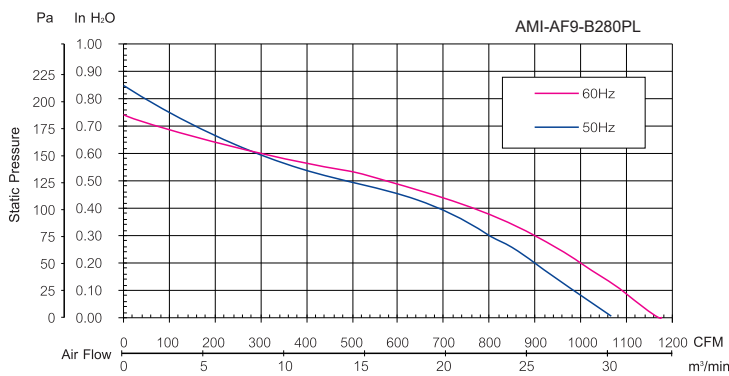


Specifications	
Air Flow	1065~1170 CFM
Housing	Die-cast Aluminum
Blades	Sheet-Steel,Welded onto Rotor
Bearing	Dual Ball Bearing, Permanently Lubricated
Termination	Terminals
Operating Voltage Range	85VAC to 125VAC for 115V Type 185VAC to 245 VAC for 230V Type
Insulation	Class "B" or "F"
Safety	Thermally Protected (Auto Restart)
Operating Temperature	-20°C to +60°C (Humidity 30%~85% RH)
Weight	2760g

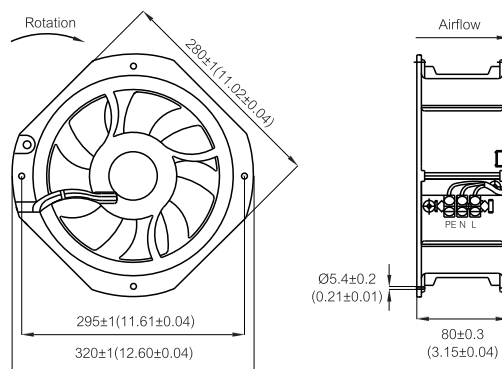
Item Code	Rated Voltage	Frequency (Hz)	Rated Current(A)	Input Power(W)	Speed (RPM)	Air Flow (CFM)	Air Flow (m³/min)	Static Pressure (inch-H ₂ O)	Noise dB(A)	Capacitor (μF)
AMI-AF9-BD280PL00	115V	50/60	1.14/1.60	129/180	2550/2800	1065/1170	30.16/33.13	0.84/0.75	68/70	16μF 200VAC
AMI-AF9-BL280PL00	230V	50/60	0.57/0.79	129/180	2550/2800	1065/1170	30.16/33.13	0.84/0.75	68/70	4μF 400VAC

Characteristic Curves:

Approvals:



Outline Drawing: Unit:mm(inch)



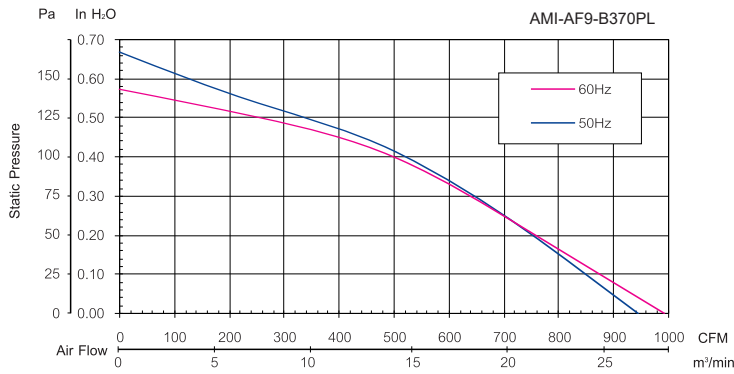
AC Square Plate Axial Fan
AMI-AF9-B370PL Series
370x370x88mm



Specifications	
Air Flow	950~990 CFM
Housing	All Metal Construction, Painted Black
Blades	Sheet-Steel,Welded onto Rotor
Bearing	Dual Ball Bearing, Permanently Lubricated
Termination	Lead Wire
Operating Voltage Range	85VAC to 125VAC for 115V Type 185VAC to 245 VAC for 230V Type
Insulation	Class "B" or "F"
Safety	Thermally Protected (Auto Restart)
Operating Temperature	-20°C to +70°C (Humidity 30%~85% RH)
Weight	4000g

Item Code	Rated Voltage	Frequency (Hz)	Rated Current(A)	Input Power(W)	Speed (RPM)	Air Flow (CFM)	Air Flow (m³/min)	Static Pressure (inch-H ₂ O)	Noise dB(A)	Capacitor (μF)
AMI-AF9-BD370PL00	115V	50/60	1.07/1.38	124/160	2400/2500	950/990	26.9/28.03	0.67/0.57	73/75	12μF 200VAC
AMI-AF9-BL370PL00	230V	50/60	0.55/0.70	124/160	2400/2500	950/990	26.9/28.03	0.67/0.57	73/75	3μF 400VAC

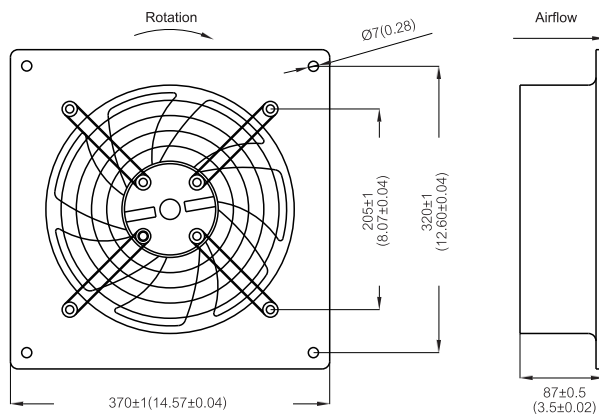
Characteristic Curves:



Approvals:



Outline Drawing: Unit:mm(inch)



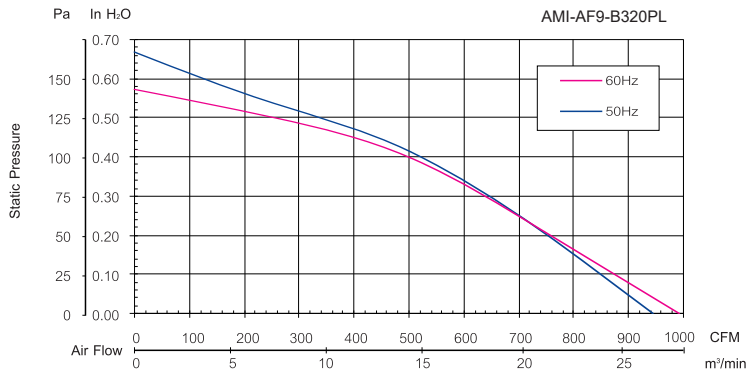
AC Square Axial Fan
AMI-AF9-B280PL Series
280x280x80mm



Specifications	
Air Flow	950~990 CFM
Housing	All Metal Construction, Painted Black
Blades	Sheet-Steel, Welded onto Rotor
Bearing	Dual Ball Bearing, Permanently Lubricated
Termination	Lead Wire
Operating Voltage Range	85VAC to 125VAC for 115V Type 185VAC to 245 VAC for 230V Type
Insulation	Class "B" or "F"
Safety	Thermally Protected (Auto Restart)
Operating Temperature	-20°C to +70°C (Humidity 30%~85% RH)
Weight	3350g

Item Code	Rated Voltage	Frequency (Hz)	Rated Current(A)	Input Power(W)	Speed (RPM)	Air Flow (CFM)	Air Flow (m³/min)	Static Pressure (inch-H ₂ O)	Noise dB(A)	Capacitor (µF)
AMI-AF9-BD320PL00	115V	50/60	1.07/1.38	124/160	2400/2500	950/990	26.9/28.03	0.67/0.57	73/75	12µF 200VAC
AMI-AF9-BL320PL00	230V	50/60	0.55/0.70	124/160	2400/2500	950/990	26.9/28.03	0.67/0.57	73/75	3µF 400VAC

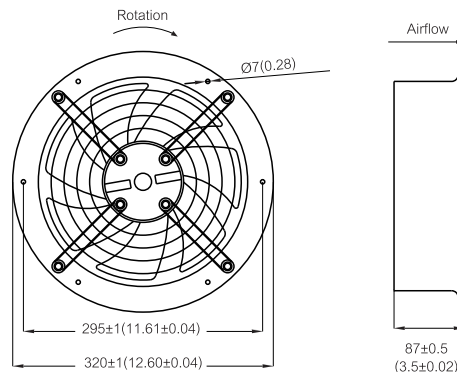
Characteristic Curves:



Approvals:



Outline Drawing: Unit:mm(inch)

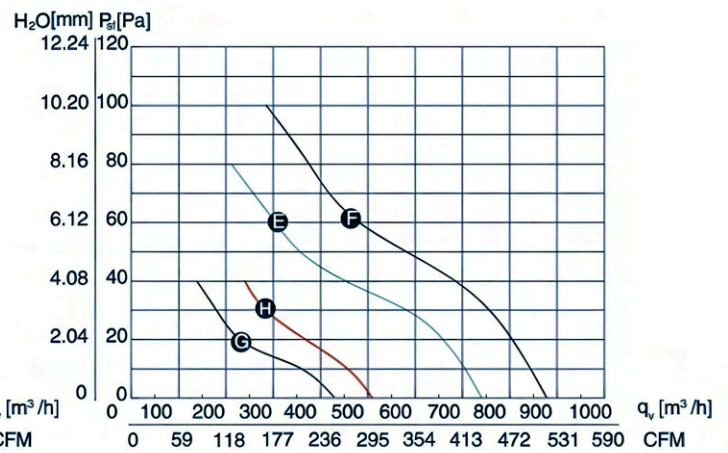
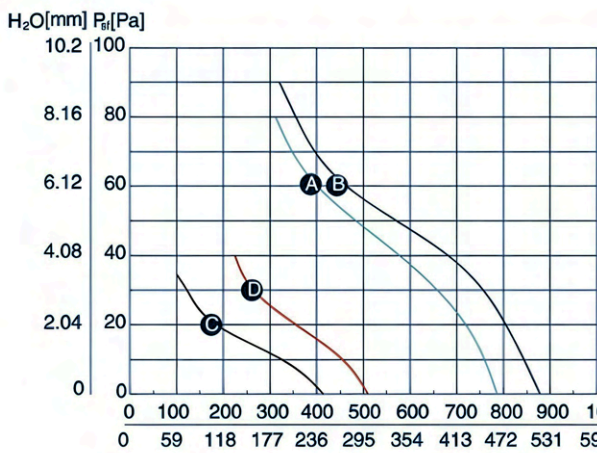




Specifications	
Mode of operation	S1
Insulation class	Class "B" or "F"
Type of Protection	IP44, IP54
Ambient Temperature	-30°C ~ 60°C

Approvals:  

Wind Volume Curve:



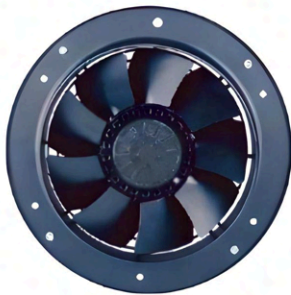
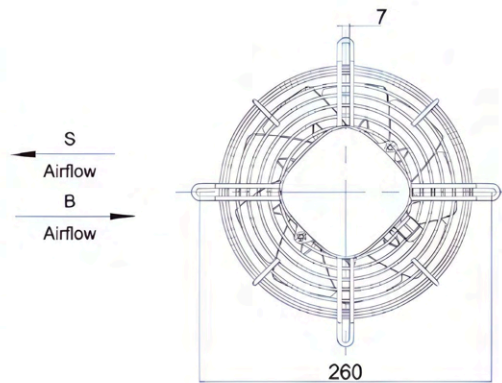
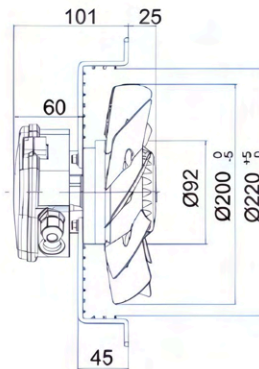
Technical Parameters

TYPE	VOLTAGE V	FREQUENCY Hz	CURRENT A	INPUT W	SPEED r/min	CAPACITANCE uF	NOISE dBA	BLADE	NET WEIGHT kg	CURVE NO.	NOTE.
AMI-AF9-BO200PL00	220	50	0.25	55	2500	2	52	9	2.0	A	
		60	0.28	65	2700		54			B	
AMI-AF9-BO200PL01	220	50	0.21	40	1400	1.5	46	9	2.0	C	
		60	0.20	40	1650		48			D	
AMI-AF9-BAG200PL00	380	50	0.11	55	2300	/	52	9	2.0	E	
		60	0.10	60	2300		52			F	
AMI-AF9-BAG200PL01	380	50	0.10	35	1400	/	46	9	2.0	G	
		60	0.10	30	1650		48			H	

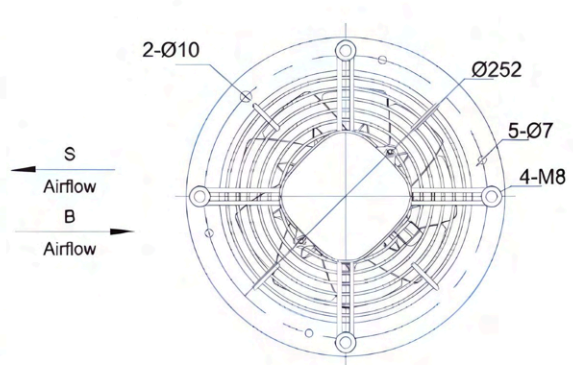
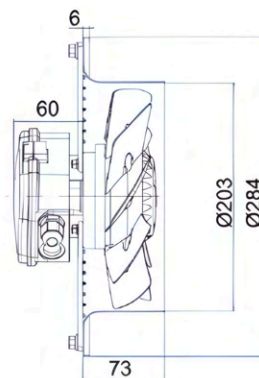
AC Axial Fan
Φ200
AMI-AF9-B Series



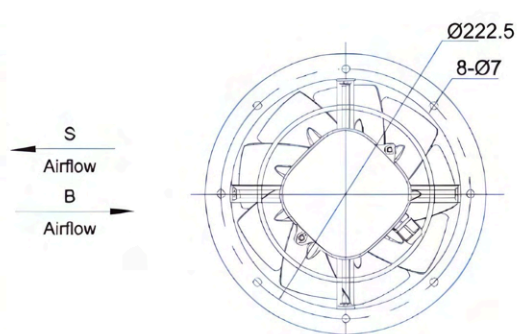
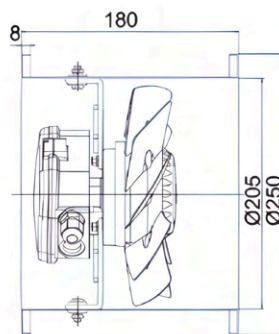
Grid Fan



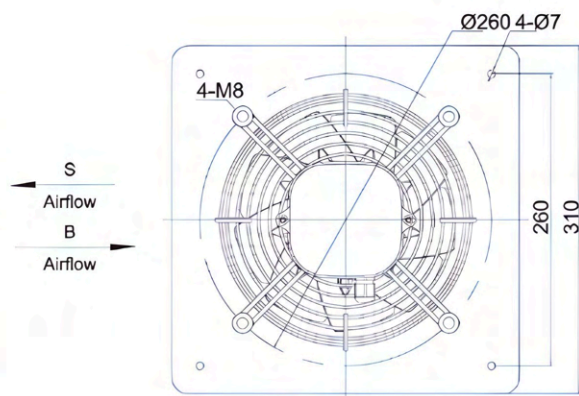
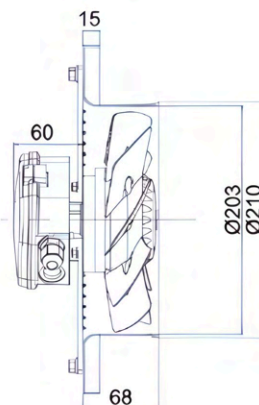
Round Frame Fan



Cylinder Fan



Square Frame Fan B0

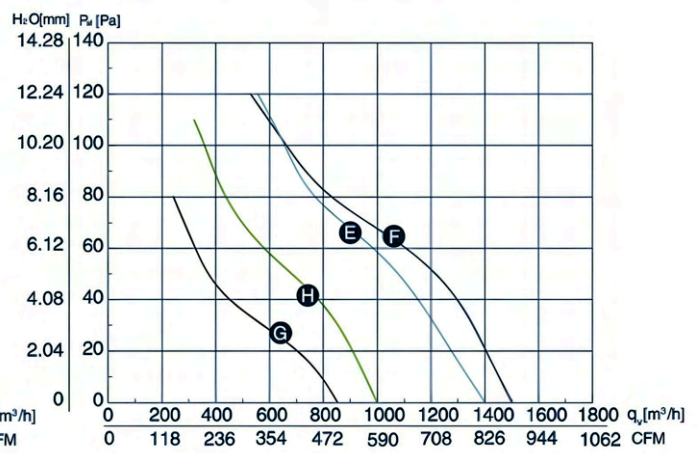
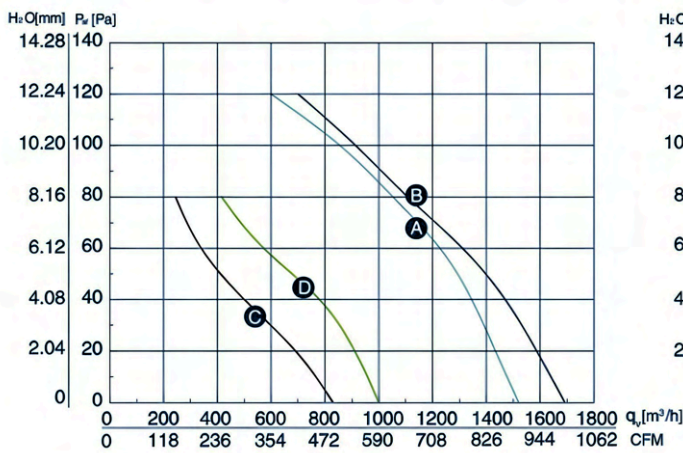




Specifications	
Mode of operation	S1
Insulation class	Class "B" or "F"
Type pf Protection	IP44, IP54
Ambient Temperature	-30°C ~ 60°C

Approvals:  

Wind Volume Curve:



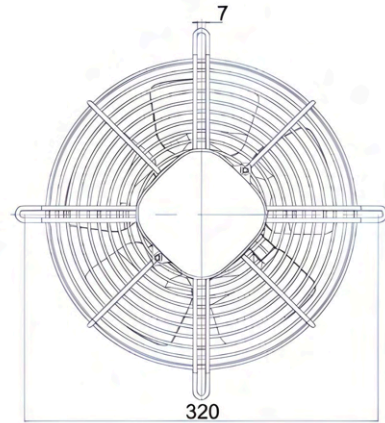
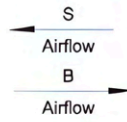
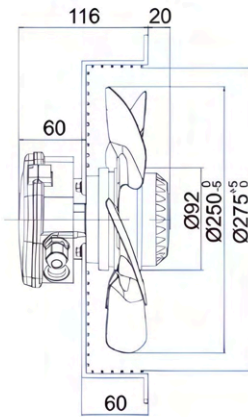
Technical Parameters

TYPE	VOLTAGE V	FREQUENCY Hz	CURRENT A	INPUT W	SPEED r/min	CAPACITANCE uF	NOISE dBA	BLADE	NET WEIGHT kg	CURVE NO.	NOTE.
AMI-AF9-BO250PL00	220	50	0.42	90	2400	3	60	9	2.5	A	
		60	0.52	110	2400		60			B	
AMI-AF9-BO250PL01	220	50	0.23	50	1380	2	55	5	2.5	C	
		60	0.25	52	1650		56			D	
AMI-AF9-BAG250PL00	380	50	0.19	95	2400	/	60	9	2.5	E	
		60	0.21	120	2550		61			F	
AMI-AF9-BAG250PL01	380	50	0.18	55	1400	/	55	5	2.5	G	
		60	0.15	52	1650		56			H	

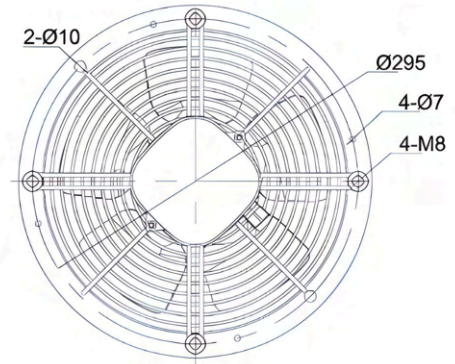
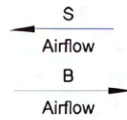
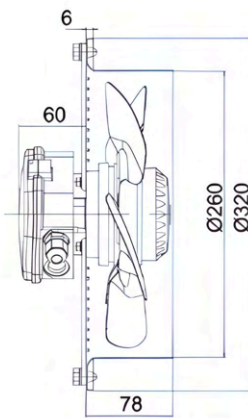
AC Axial Fan
Φ250
AMI-AF9-B Series



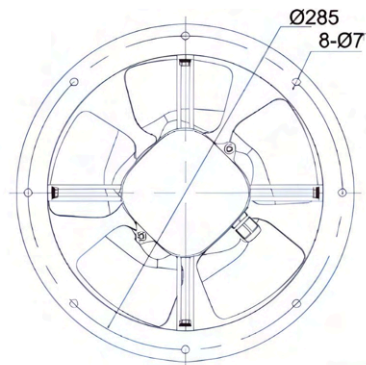
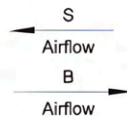
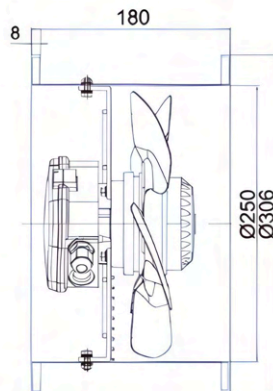
Grid Fan



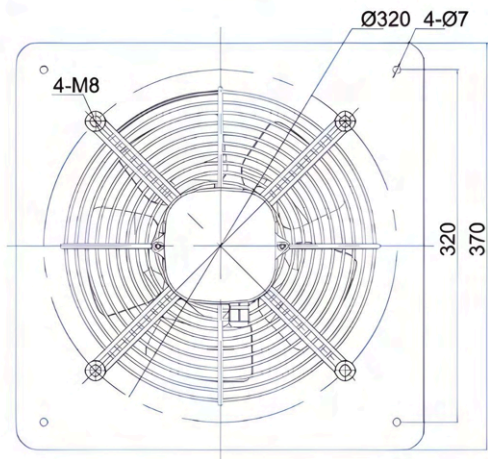
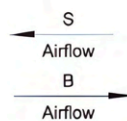
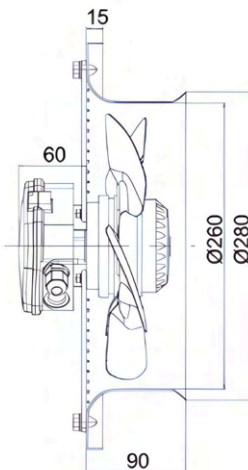
Round Frame Fan



Cylinder Fan



Square Frame Fan B0

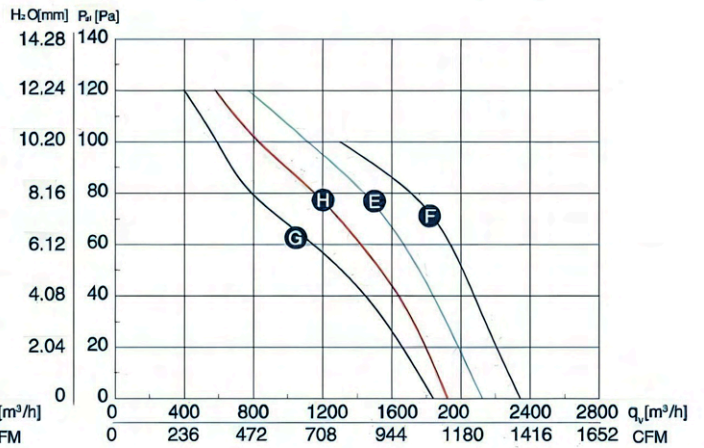
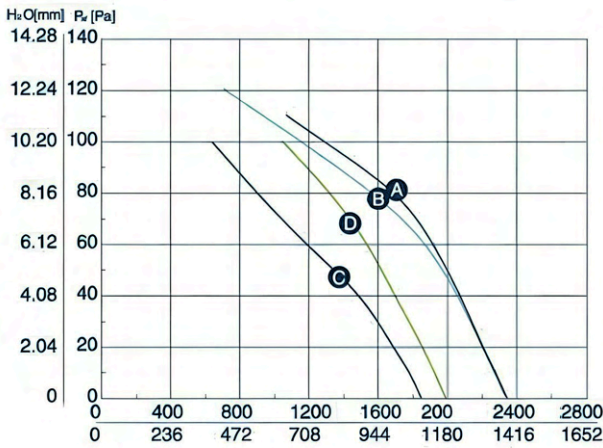




Specifications	
Mode of operation	S1
Insulation class	Class "B" or "F"
Type pf Protection	IP44, IP54
Ambient Temperature	-30°C ~ 60°C

Approvals:  

Wind Volume Curve:



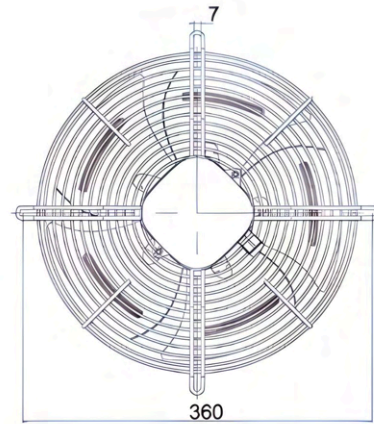
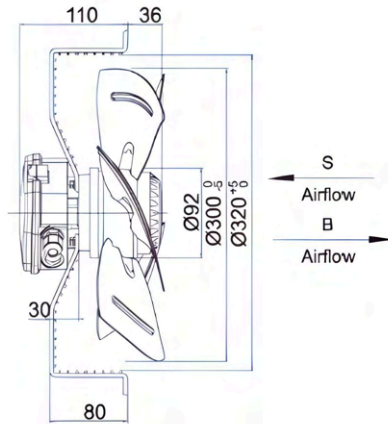
Technical Parameters

TYPE	VOLTAGE V	FREQUENCY Hz	CURRENT A	INPUT W	SPEED r/min	CAPACITANCE uF	NOISE dBA	BLADE	NET WEIGHT kg	CURVE NO.	NOTE.
AMI-AF9-BO300PL00	220	50	0.66	145	2300	4	62	7	3.0	A	
		60	0.85	180	2250		62			B	
AMI-AF9-BO300PL01	220	50	0.42	85	1380	3	60	5	3.0	C	
		60	0.46	100	1550		61			D	
AMI-AF9-BAG300PL00	380	50	0.25	145	2340	/	62	7	3.0	E	
		60	0.29	180	2450		63			F	
AMI-AF9-BAG300PL01	380	50	0.24	75	1380	/	60	5	3.0	G	
		60	0.20	90	1550		61			H	

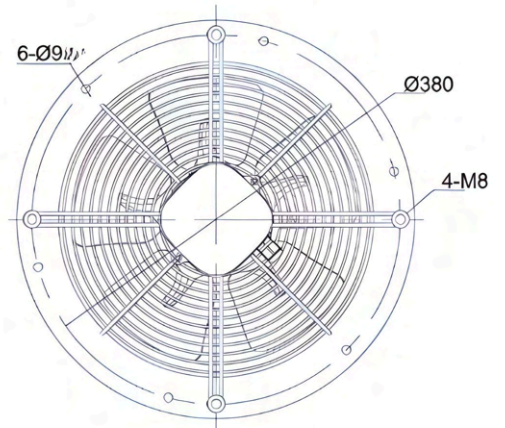
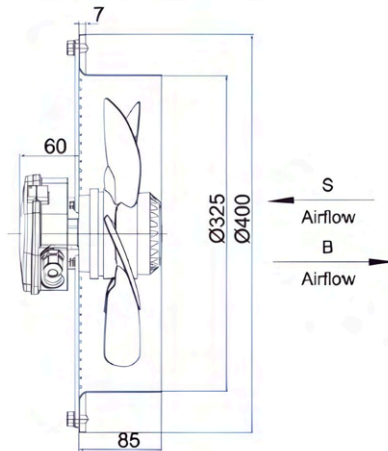
AC Axial Fan
Φ300
AMI-AF9-B Series



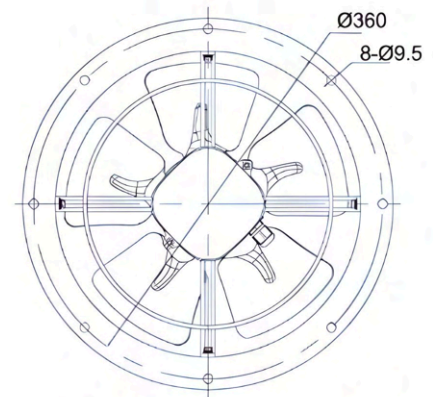
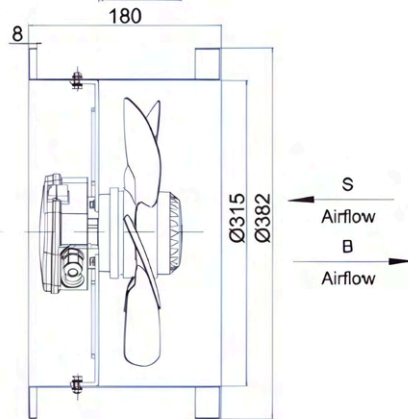
Grid Fan



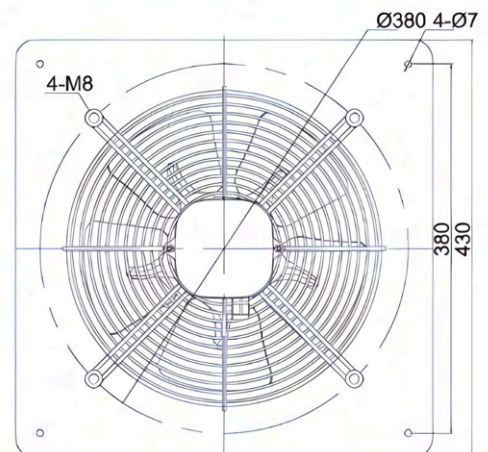
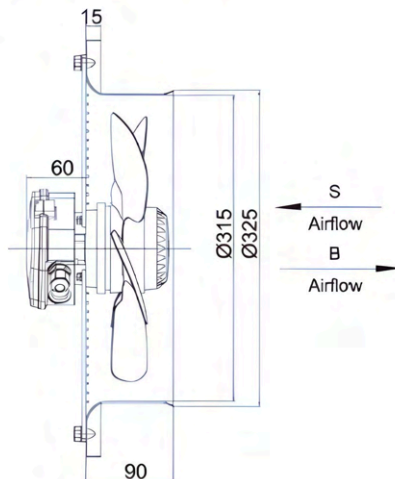
Round Frame Fan



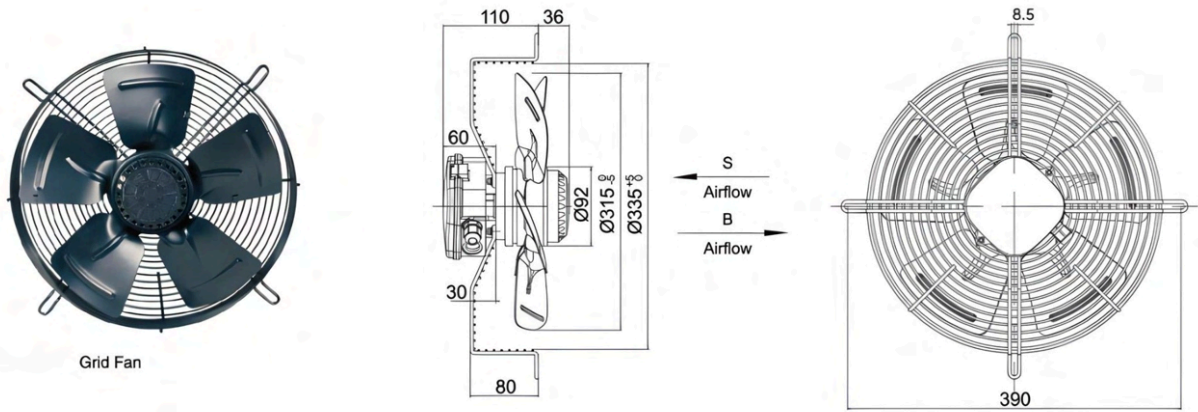
Cylinder Fan



Square Frame Fan B0



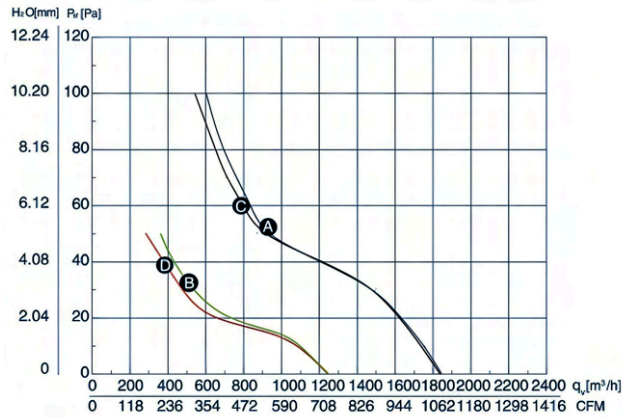
AC Axial Fan
Φ315
AMI-AF9-B Series



Approvals:

Specifications	
Mode of operation	S1
Insulation class	Class "B" or "F"
Type pf Protection	IP44, IP54
Ambient Temperature	-30°C ~ 60°C

Wind Volume Curve:

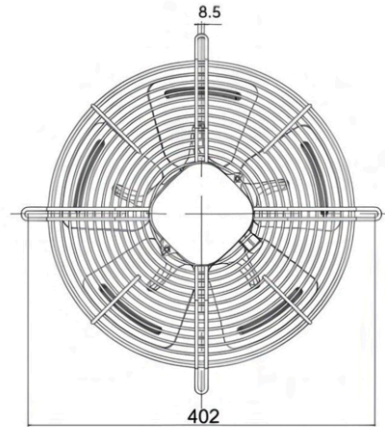
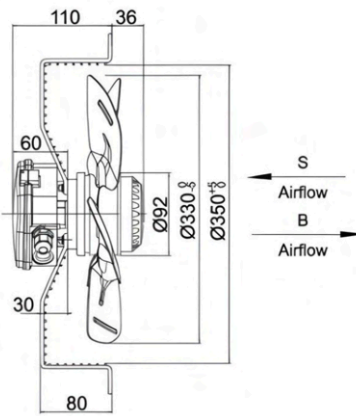


Technical Parameters:

TYPE	VOLTAGE V	FREQUENCY Hz	CURRENT A	INPUT W	SPEED r/min	CAPACITANCE uF	NOISE dBA	BLADE	NET WEIGHT kg	CURVE NO.	NOTE.
AMI-AF9-BAQ315PL00	220	50	0.45	95	1380	4	61	5	3.5	A	
AMI-AF9-BAQ315PL01	220	50	0.28	60	920	2	51	5	3.5	B	
AMI-AF9-BAR315PL00	380	50	0.23	80	1380	/	61	5	3.5	C	
AMI-AF9-BAR315PL01	380	50	0.16	55	920	/	51	5	3.5	D	



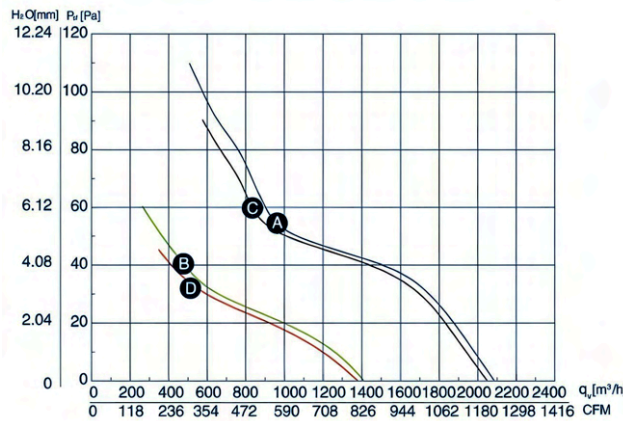
Grid Fan



Approvals: **cRU** **us** **CE**

Specifications	
Mode of operation	S1
Insulation class	Class "B" or "F"
Type of Protection	IP44, IP54
Ambient Temperature	-30°C ~ 60°C

Wind Volume Curve:



Technical Parameters:

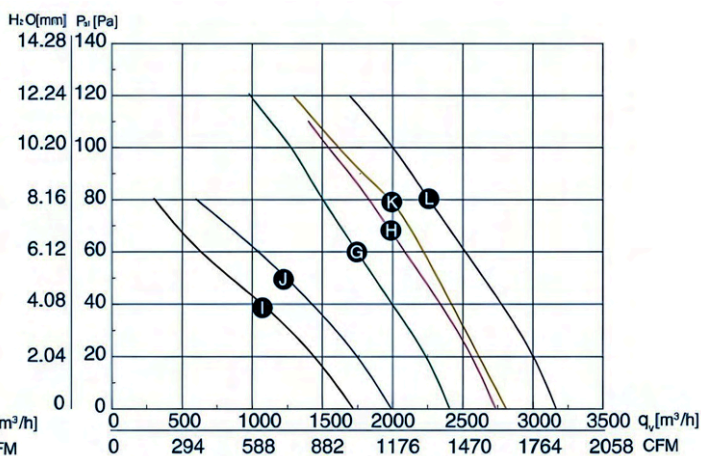
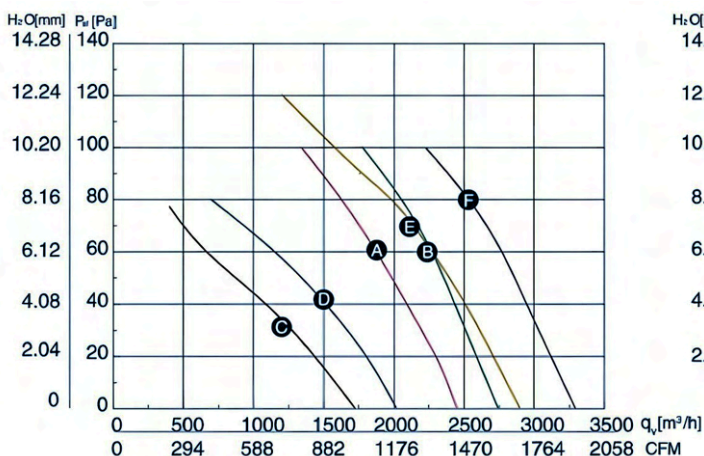
TYPE	VOLTAGE V	FREQUENCY Hz	CURRENT A	INPUT W	SPEED r/min	CAPACITANCE μ F	NOISE dBA	BLADE	NET WEIGHT kg	CURVE NO.	NOTE.
AMI-AF9-BAQ330PL00	220	50	0.50	100	1380	4	63	5	4.0	A	
AMI-AF9-BAQ330PL01	220	50	0.28	60	920	2	53	5	4.0	B	
AMI-AF9-BAR330PL00	380	50	0.23	85	1380	/	63	5	4.0	C	
AMI-AF9-BAR330PL01	380	50	0.15	55	920	/	53	5	4.0	D	



Specifications	
Mode of operation	S1
Insulation class	Class "B" or "F"
Type pf Protection	IP44, IP54
Ambient Temperature	-30°C ~ 60°C

Approvals:  

Wind Volume Curve:



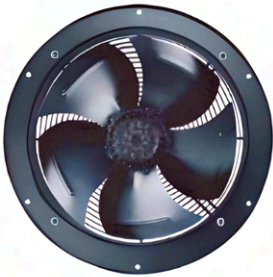
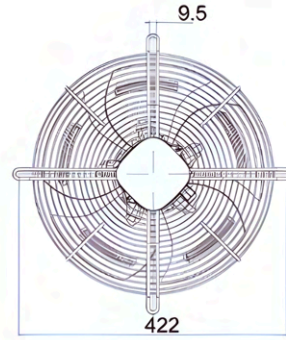
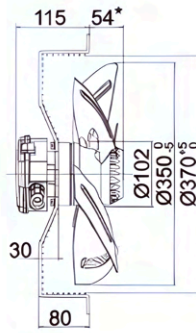
Technical Parameters

TYPE	VOLTAGE V	FREQUENCY Hz	CURRENT A	INPUT W	SPEED r/min	CAPACITANCE uF	NOISE dBA	BLADE	NET WEIGHT kg	CURVE NO.	NOTE.
AMI-AF9-BO350PL00	220	50	0.65	129	1400	4	64	5	5.0	A	
		60	0.77	165	1650		66			B	
AMI-AF9-BO350PL01	220	50	0.37	74	920	3	56	5	5.0	C	
		60	0.35	78	1100		57			D	
AMI-AF9-BO350PL02	220	50	0.75	165	1420	6	65	5	5.5	E	*67
		60	0.99	240	1650		67			F	*67
AMI-AF9-BAG350PL00	380	50	0.40	129	1400	/	64	5	5.0	G	
		60	0.35	160	1650		66			H	
AMI-AF9-BAG350PL01	380	50	0.32	80	920	/	56	5	5.0	I	
		60	0.25	80	1100		57			J	
AMI-AF9-BAG350PL02	380	50	0.43	165	1420	/	65	5	5.5	K	*67
		60	0.45	240	1650		67			L	*67

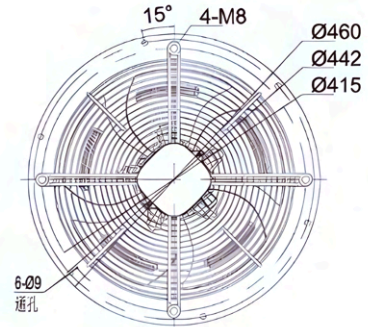
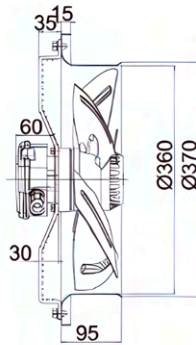
AC Axial Fan
 Ø350
 AMI-AF9-B Series



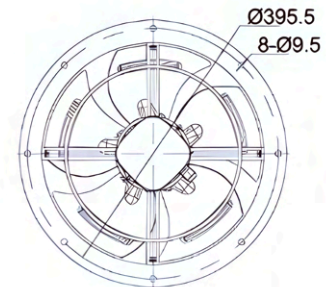
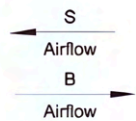
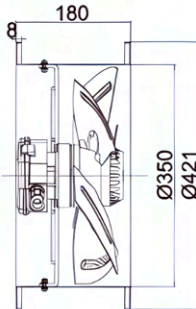
Grid Fan



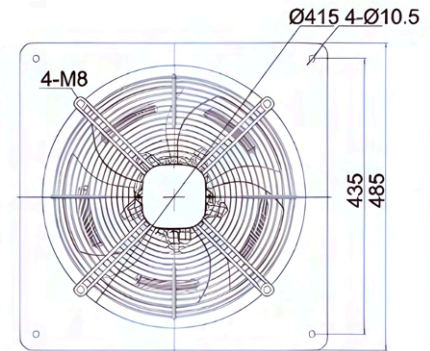
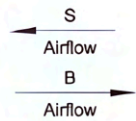
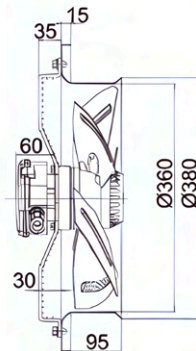
Round Frame Fan



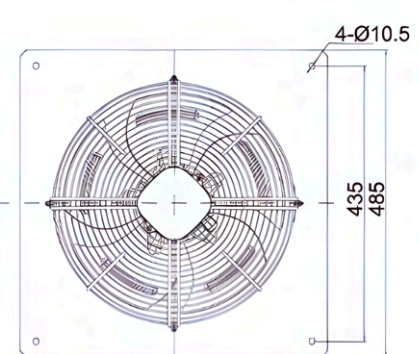
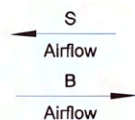
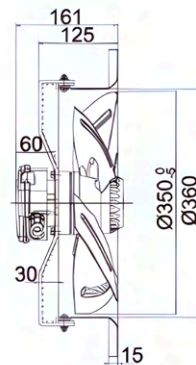
Cylinder Fan



Square Frame Fan B0



Square Frame Fan B1

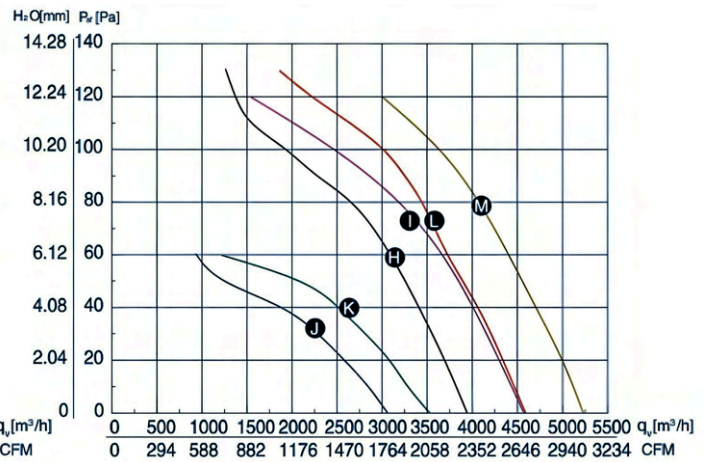
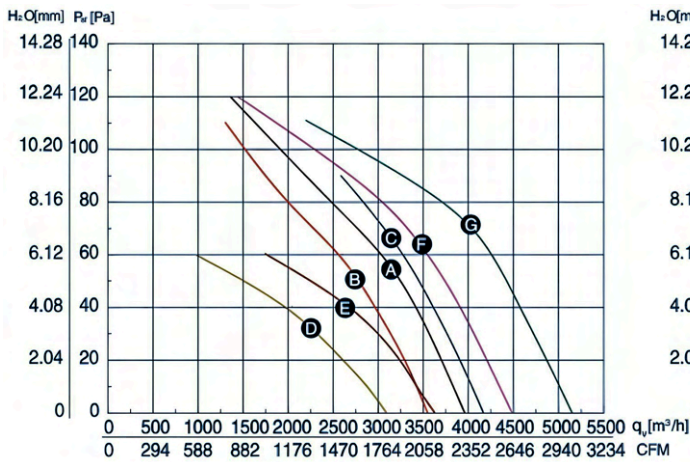




Specifications	
Mode of operation	S1
Insulation class	Class "B" or "F"
Type pf Protection	IP44, IP54
Ambient Temperature	-30°C ~ 60°C

Approvals:

Wind Volume Curve:



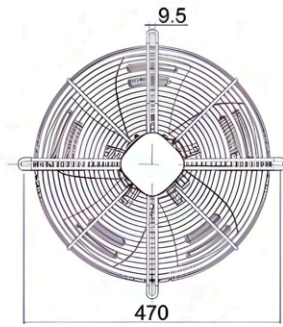
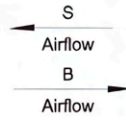
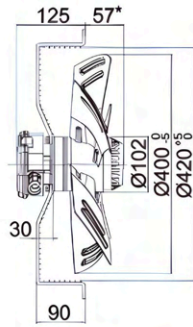
Technical Parameters

TYPE	VOLTAGE V	FREQUENCY Hz	CURRENT A	INPUT W	SPEED r/min	CAPACITANCE uF	NOISE dBA	BLADE	NET WEIGHT kg	CURVE NO.	NOTE.
AMI-AF9-BAQ400PL00	220	50	0.82	180	1380	6	67	5	6.0	A	
AMI-AF9-BO400PL01	220	50	0.80	170	1390	6	66	5	6.0	B	
		60	1.20	250	1520		68			C	
AMI-AF9-BO400PL02	220	50	0.52	108	920	4	59	5	6.5	D	
		60	0.65	140	980		60			E	
AMI-AF9-BO400PL03	220	50	0.98	205	1380	8	68	5	6.0	F	*70
		60	1.45	320	1590		69			G	*70
AMI-AF9-BAG400PL00	380	50	0.47	180	1380	/	67	5	6.0	H	
		60	0.50	250	1520		68			I	
AMI-AF9-BAG400PL01	380	50	0.35	108	920	/	59	5	6.0	J	
		60	0.32	130	1050		60			K	
AMI-AF9-BAG400PL02	380	50	0.51	205	1380	/	68	5	6.5	L	*70
		60	0.54	300	1590		69			M	*70

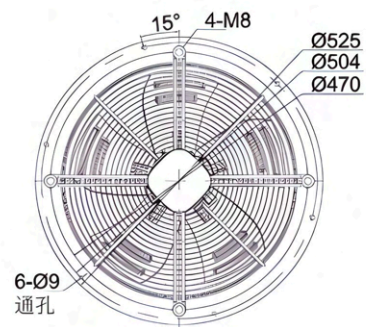
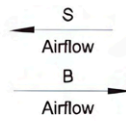
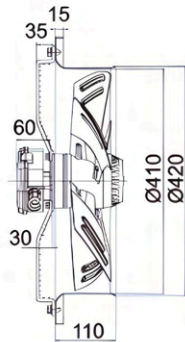
AC Axial Fan
 Φ400
 AMI-AF9-B Series



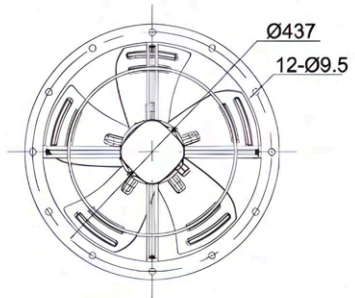
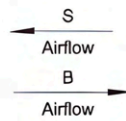
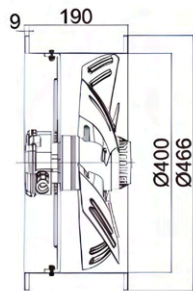
网罩风机G
 Grid Fan



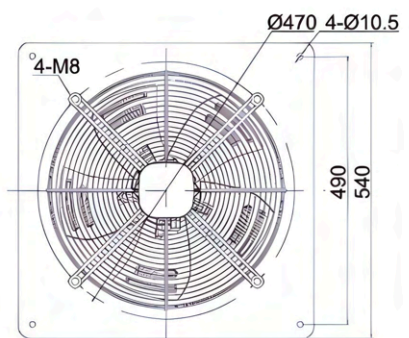
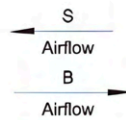
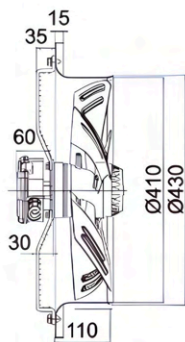
圆框风机F
 Round Frame Fan



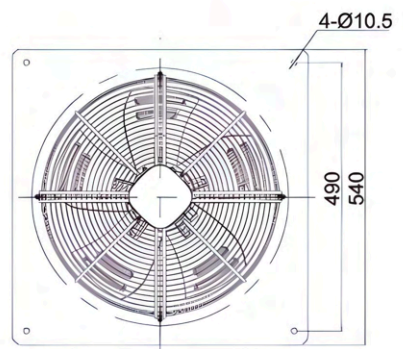
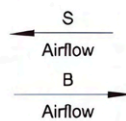
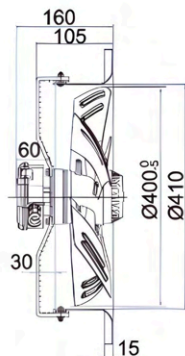
圆筒风机T
 Cylinder Fan



方框风机B0
 Square Frame Fan B0



方框风机B1
 Square Frame Fan B1

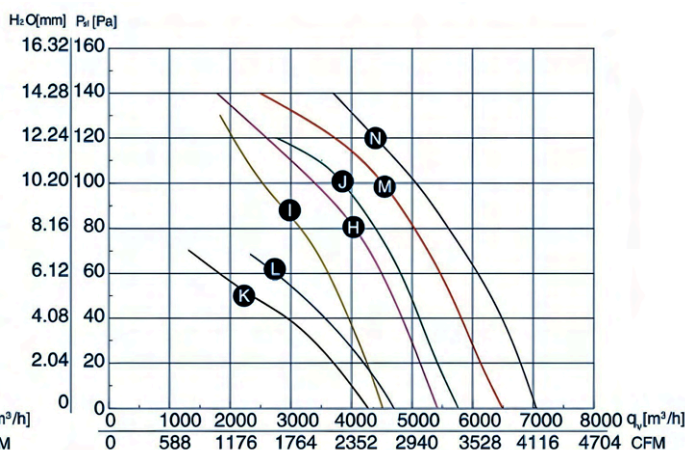
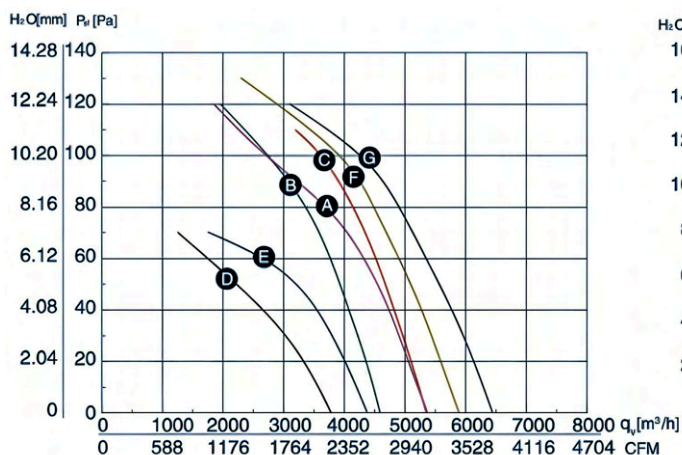




Specifications	
Mode of operation	S1
Insulation class	Class "B" or "F"
Type pf Protection	IP44, IP54
Ambient Temperature	-30°C ~ 60°C

Approvals:  

Wind Volume Curve:



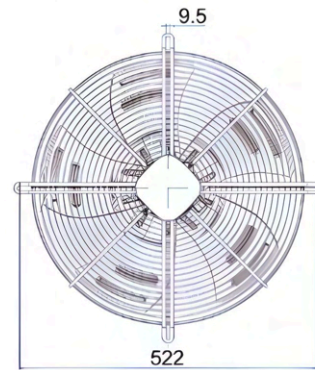
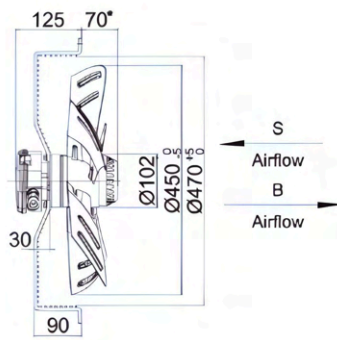
Technical Parameters

TYPE	VOLTAGE V	FREQUENCY Hz	CURRENT A	INPUT W	SPEED r/min	CAPACITANCE μF	NOISE dBA	BLADE	NET WEIGHT kg	CURVE NO.	NOTE.
AMI-AF9-BAQ450PL00	220	50	1.15	250	1350	8	69	5	8.0	A	
AMI-AF9-BO450PL00	220	50	1.05	225	1370	8	69	5	8.0	B	
		60	1.50	330	1500		70			C	
AMI-AF9-BO450PL01	220	50	0.75	150	920	6	61	5	8.0	D	
		60	0.80	170	1100		62			E	
AMI-AF9-BO450PL02	220	50	1.70	370	1380	10	70	5	8.5	F	*53
		60	2.00	450	1580		71			G	*53
AMI-AF9-BAR450PL00	380	50	0.55	250	1350	/	69	5	8.0	H	
AMI-AF9-BAG450PL01	380	50	0.52	220	1380	/	69	5	8.0	I	
		60	0.56	320	1550		70			J	
AMI-AF9-BAG450PL02	380	50	0.40	150	900	/	61	5		K	
		60	0.38	165	1000		62			L	
AMI-AF9-BAG450PL00	380	50	0.75	370	1380	/	70	5	8.5	M	*53
		60	0.85	430	1580		71			N	*53

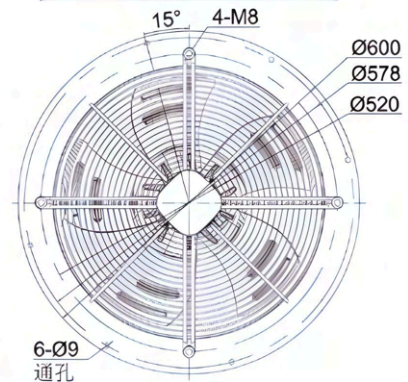
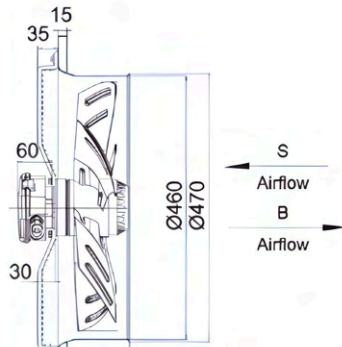
AC Axial Fan
 Ø450
 AMI-AF9-B Series



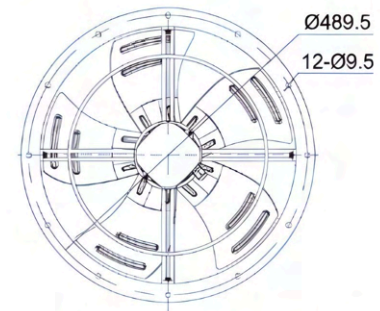
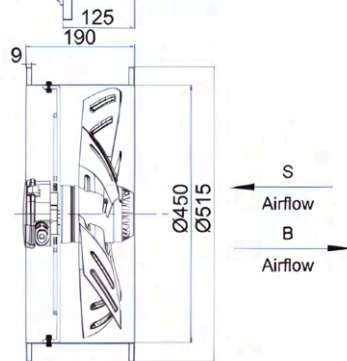
Grid Fan



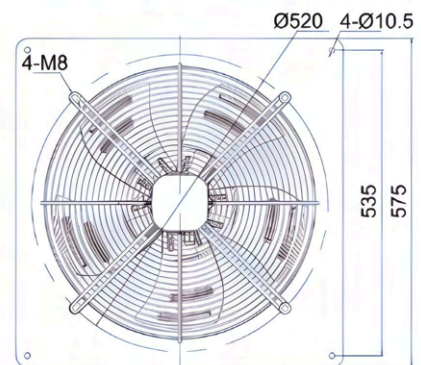
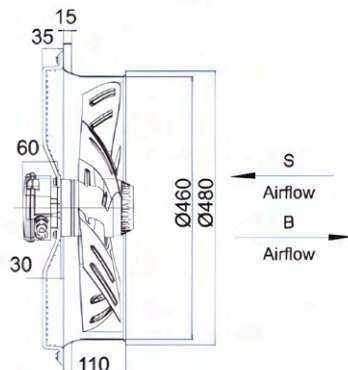
Round Frame Fan



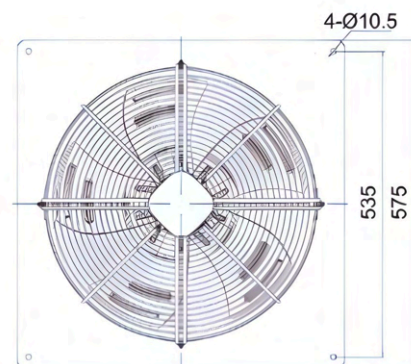
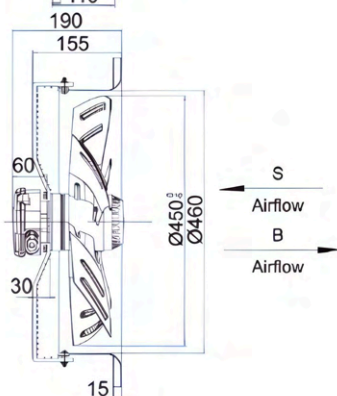
Cylinder Fan



Square Frame Fan B0



Square Frame Fan B1

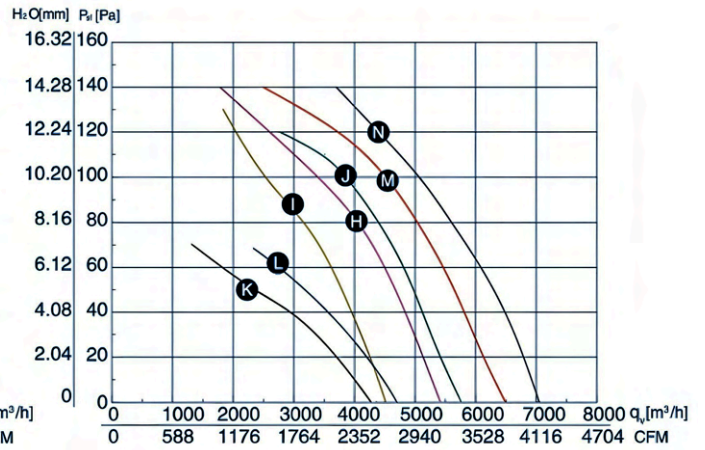
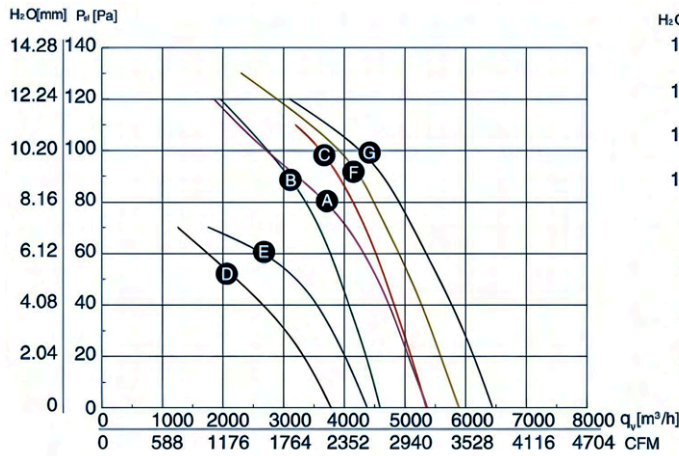




Specifications	
Mode of operation	S1
Insulation class	Class "B" or "F"
Type pf Protection	IP44, IP54
Ambient Temperature	-30°C ~ 60°C

Approvals:  

Wind Volume Curve:



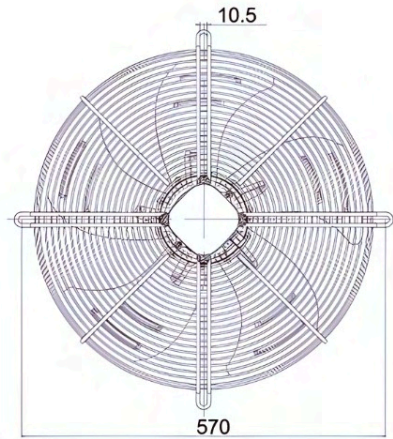
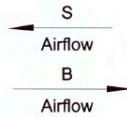
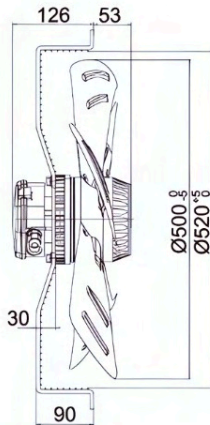
Technical Parameters

TYPE	VOLTAGE V	FREQUENCY Hz	CURRENT A	INPUT W	SPEED r/min	CAPACITANCE uF	NOISE dBA	BLADE	NET WEIGHT kg	CURVE NO.	NOTE.
AMI-AF9-BAQ500PL00	220	50	1.75	380	1320	10	71	5	9.0	A	
AMI-AF9-BO500PL08	220	50	1.35	295	1380	10	70	5	9.0	B	
		60	2.10	450	1580		72			C	
AMI-AF9-BO500PL09	220	50	1.05	230	900	10	66	5	9.0	D	
AMI-AF9-BO500PL10	220	50	1.00	200	915	10	65	5	9.0	E	
		60	1.20	260	1050		67			F	
AMI-AF9-BAR500PL00	380	50	0.85	414	1300	/	71	5	9.0	G	
AMI-AF9-BAG500PL00	380	50	0.68	275	1380	/	70	5	9.0	H	
		60	0.75	395	1550		72			I	
AMI-AF9-BAR500PL09	380	50	0.54	210	900	/	66	5	9.0	J	
AMI-AF9-BAG500PL01	380	50	0.45	150	920	/	65	5	9.0	K	
		60	0.48	210	1050		67			L	
AMI-AF9-BAR500PL02	380	50	0.47	130	700	/	54	5	9.0	M	

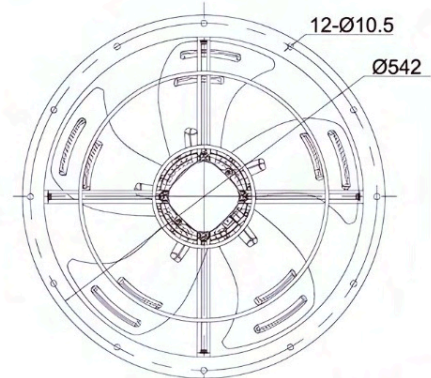
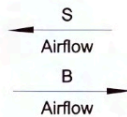
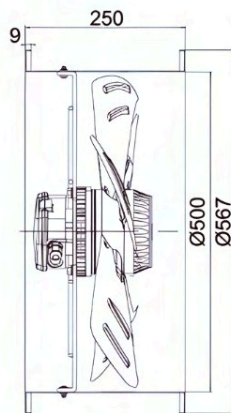
AC Axial Fan
Ø500
AMI-AF9-B Series



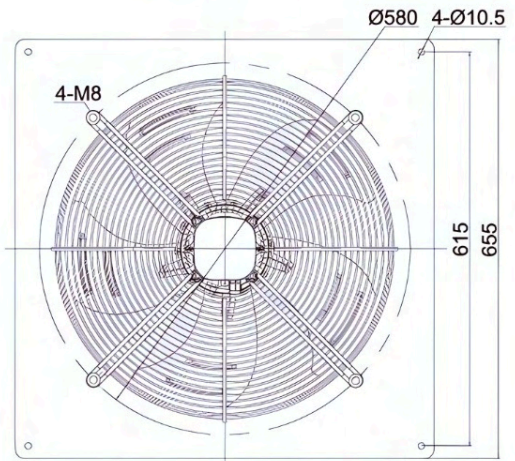
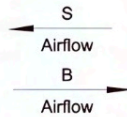
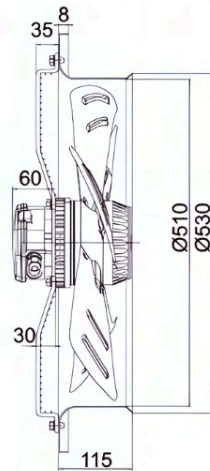
Grid Fan



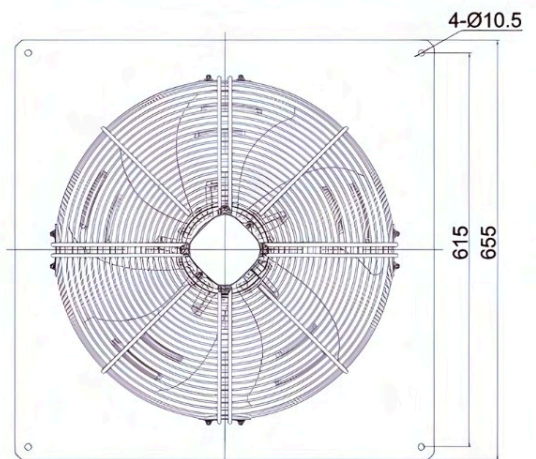
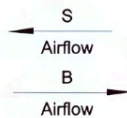
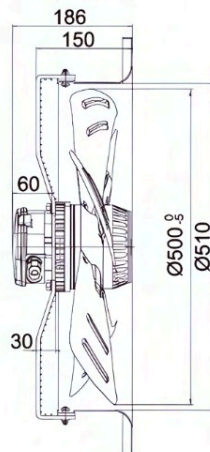
Cylinder Fan



Square Frame Fan B0



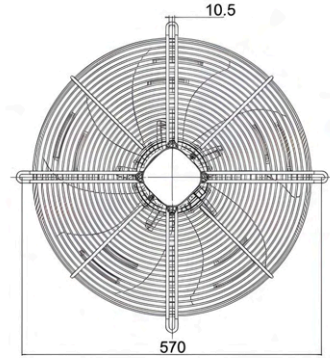
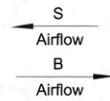
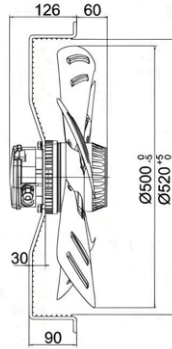
Square Frame Fan B1



AC Axial Fan
Φ500
AMI-AF9-B Series



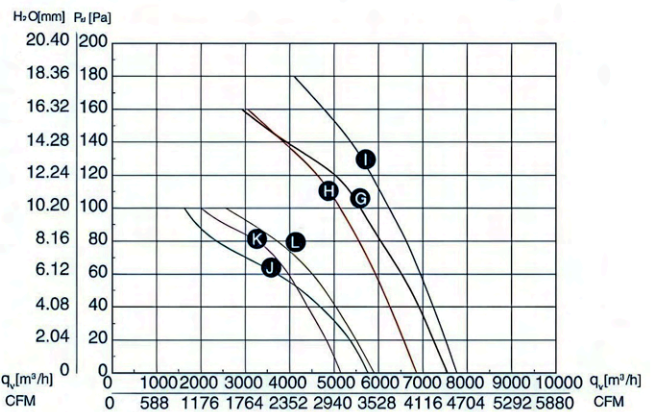
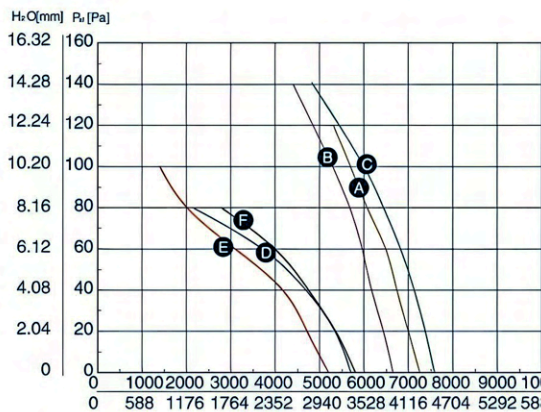
Grid Fan



Approvals:

Specifications	
Mode of operation	S1
Insulation class	Class "B" or "F"
Type of Protection	IP44, IP54
Ambient Temperature	-30°C ~ 60°C

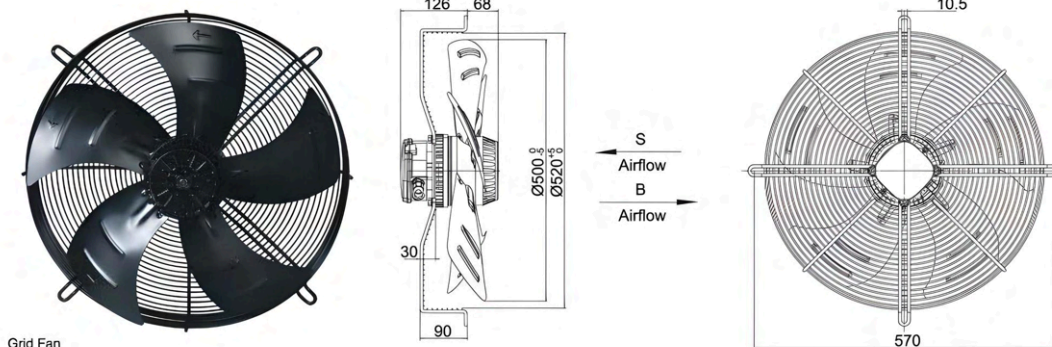
Wind Volume Curve:



Technical Parameters:

TYPE	VOLTAGE V	FREQUENCY Hz	CURRENT A	INPUT W	SPEED r/min	CAPACITANCE uF	NOISE dBA	BLADE	NET WEIGHT kg	CURVE NO.	NOTE.
AMI-AF9-BAQ500PL02	220	50	1.85	450	1350	12	72	5	9.5	A	
AMI-AF9-BO500PL01	220	50	1.35	370	1380	12	71	5	9.5	B	
		60	2.10	520	1580		73			C	
AMI-AF9-BAQ500PL06	220	50	1.10	240	900	10	66	5	9.5	D	
AMI-AF9-BO500PL02	220	50	1.05	230	910	10	66	5	9.5	E	
		60	1.46	310	1000		67			F	
AMI-AF9-BAR500PL11	380	50	1.08	460	1350	/	72	5	9.5	G	
AMI-AF9-BAG500PL02	380	50	0.75	350	1400	/	71	5	9.5	O	
		60	0.95	475	1630		73				
AMI-AF9-BAR500PL04	380	50	0.65	230	920	/	67	5	9.5	J	
AMI-AF9-BAG500PL03	380	50	0.56	200	920	/	67	5	9.5	K	
		60	0.66	270	1050		68			L	

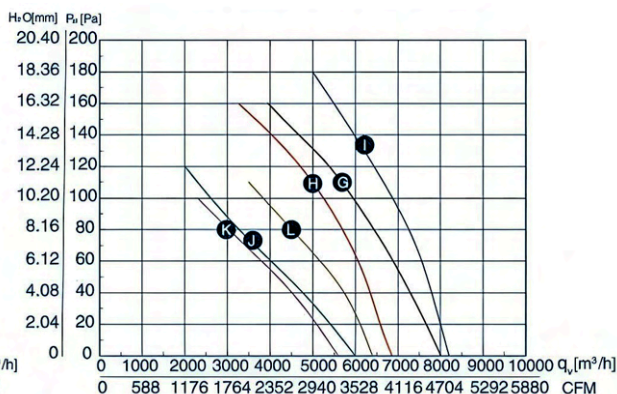
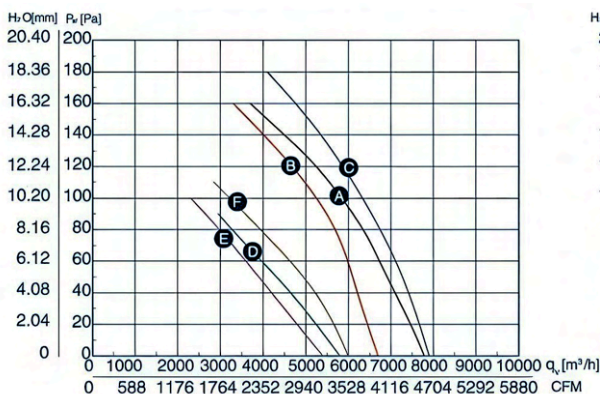
AC Axial Fan
Ø500
AMI-AF9-B Series



Approvals:

Specifications	
Mode of operation	S1
Insulation class	Class "B" or "F"
Type pf Protection	IP44, IP54
Ambient Temperature	-30°C ~ 60°C

Wind Volume Curve:



Technical Parameters:

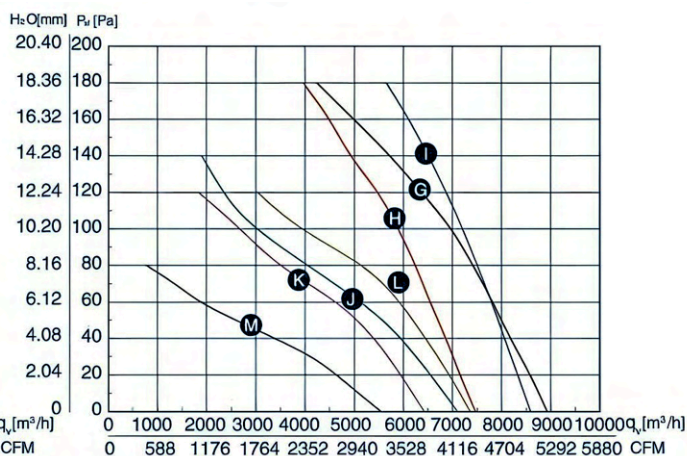
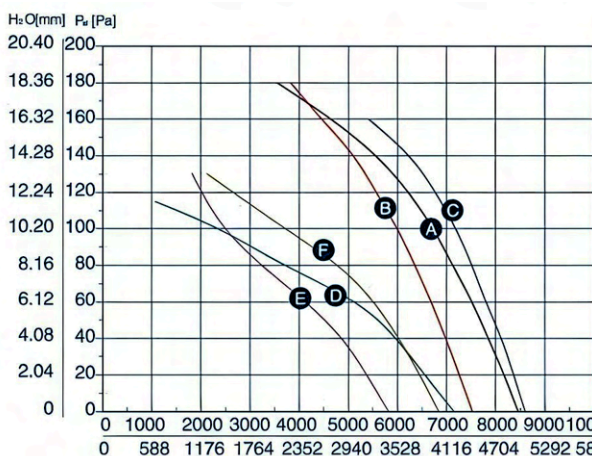
TYPE	VOLTAGE V	FREQUENCY Hz	CURRENT A	INPUT W	SPEED r/min	CAPACITANCE uF	NOISE dBA	BLADE	NET WEIGHT kg	CURVE NO.	NOTE.
AMI-AF9-BAQ500PL04	220	50	2.10	500	1380	14	72	5	10	A	
AMI-AF9-BO500PL04	220	50	2.00	430	1400	14	71	5	10	B	
		60	2.70	620	1600		73			C	
AMI-AF9-BAQ500PL05	220	50	1.30	270	900	10	66	5	10	D	
AMI-AF9-BO500PL05	220	50	1.08	240	920	10	67	5	10	E	
		60	1.55	330	1050		68			F	
AMI-AF9-BAR500PL05	380	50	0.95	500	1380	/	72	5	10	G	
AMI-AF9-BAG500PL05	380	50	0.83	400	1420	/	71	5	10	H	
		60	1.35	580	1650		74			I	
AMI-AF9-BAR500PL06	380	50	0.75	260	920	/	67	5	10	J	
AMI-AF9-BAG500PL06	380	50	0.64	215	930	/	67	5	10	K	
		60	0.76	300	1050		68			L	



Specifications	
Mode of operation	S1
Insulation class	Class "B" or "F"
Type pf Protection	IP44, IP54
Ambient Temperature	-30°C ~ 60°C

Approvals:  

Wind Volume Curve:



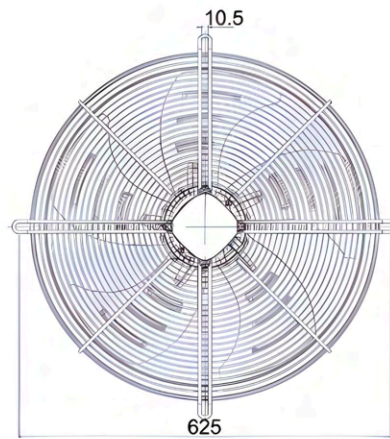
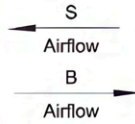
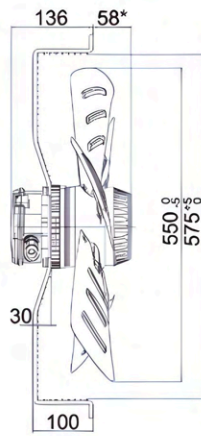
Technical Parameters

TYPE	VOLTAGE V	FREQUENCY Hz	CURRENT A	INPUT W	SPEED r/min	CAPACITANCE uF	NOISE dBA	BLADE	NET WEIGHT kg	CURVE NO.	NOTE.
AMI-AF9-BAQ550PL00	220	50	2.55	550	1300	12	72	5	11.0	A	
AMI-AF9-BO550PL00	220	50	1.75	385	1380	12	71	5	11.0	B	
		60	2.80	600	1600		73			C	
AMI-AF9-BAQ550PL01	220	50	1.45	310	900	10	68	5	11.0	D	
AMI-AF9-BO550PL01	220	50	1.20	250	930	10	68	5	11.0	E	
		60	1.50	330	1050		69			F	
AMI-AF9-BAR550PL00	380	50	1.20	600	1300	/	72	5	11.0	G	
AMI-AF9-BAG550PL00	380	50	0.92	350	1400	/	72	5	11.0	H	
		60	0.99	515	1600		74			I	
AMI-AF9-BAR550PL01	380	50	0.90	330	900	/	68	5	11.0	J	
AMI-AF9-BAG550PL01	380	50	0.78	230	920	/	67	5	11.0	K	
		60	0.78	330	1050		69			L	
AMI-AF9-BAR550PL02	380	50	0.60	180	700	/	55	5	10.0	M	*50

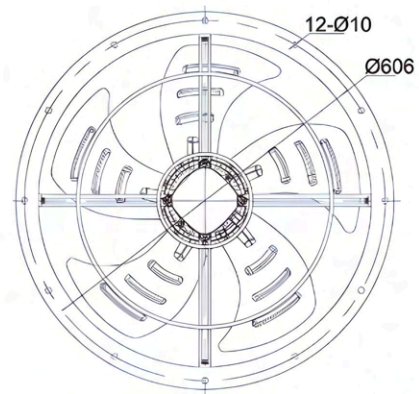
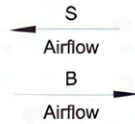
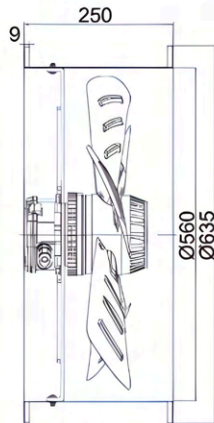
AC Axial Fan
Φ550
AMI-AF9-B Series



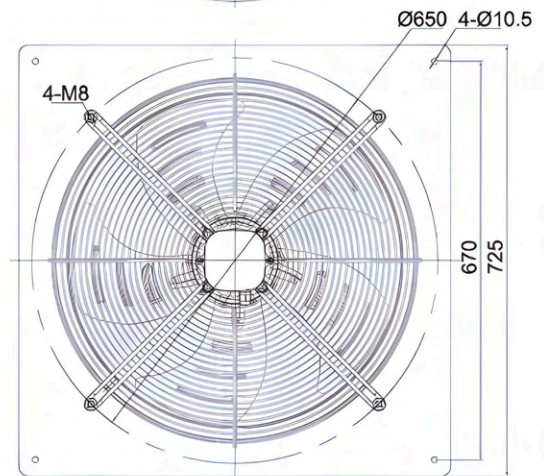
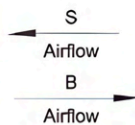
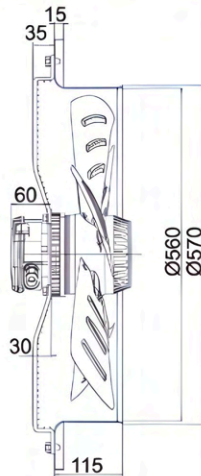
Grid Fan



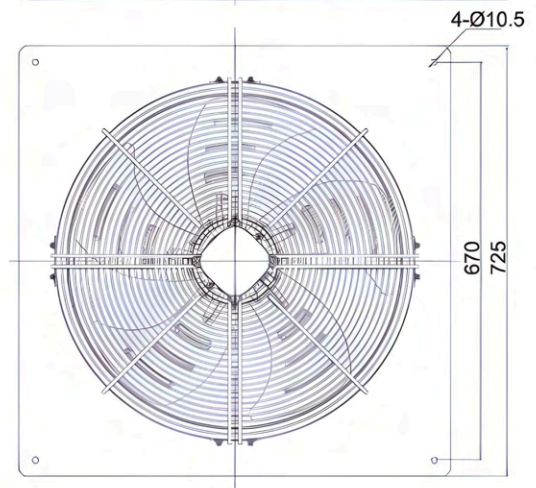
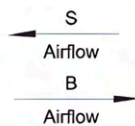
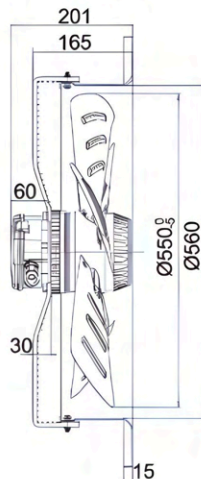
Cylinder Fan

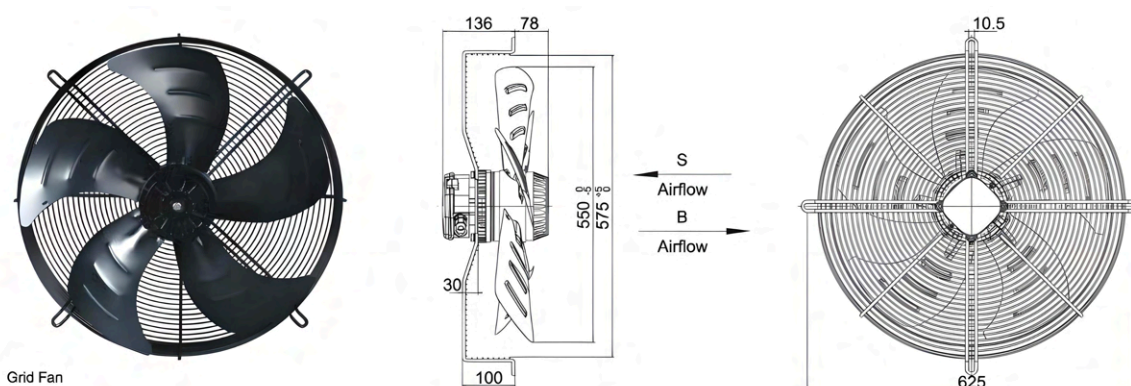


Square Frame Fan B0



Square Frame Fan B1

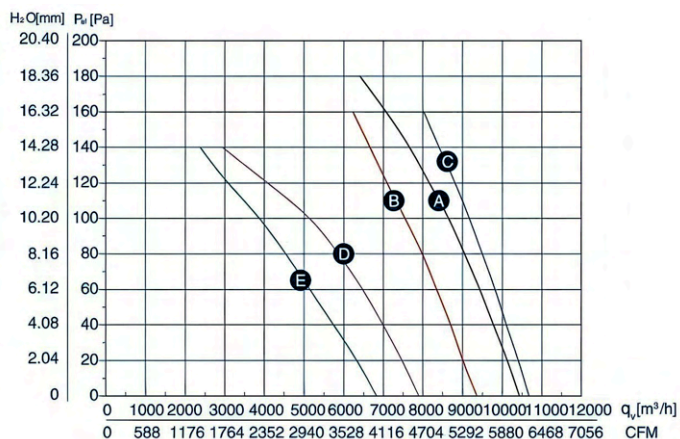




Approvals: **UL** **CE**

Specifications	
Mode of operation	S1
Insulation class	Class "B" or "F"
Type pf Protection	IP44, IP54
Ambient Temperature	-30°C ~ 60°C

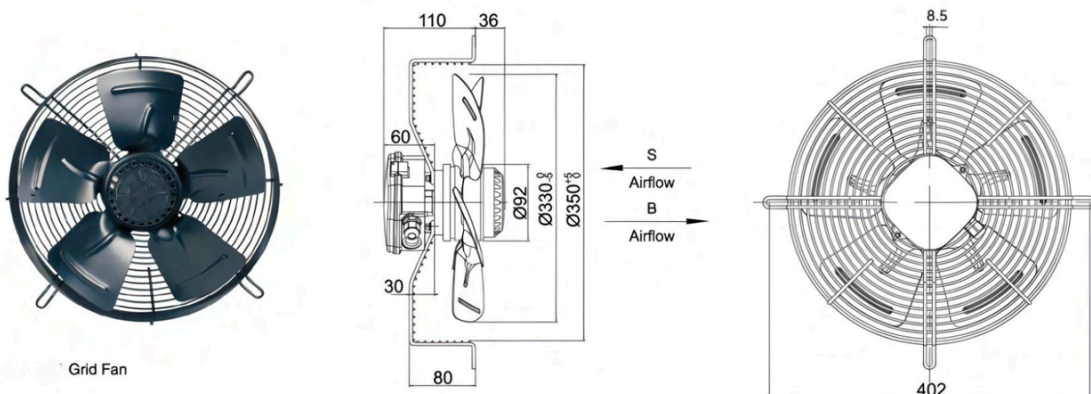
Wind Volume Curve:



Technical Parameters:

TYPE	VOLTAGE V	FREQUENCY Hz	CURRENT A	INPUT W	SPEED r/min	CAPACITANCE uF	NOISE dBA	BLADE	NET WEIGHT kg	CURVE NO.	NOTE.
AMI-AF9-BAR550PL03	380	50	1.75	750	1420	/	73	5	12	A	
AMI-AF9-BAG550PL02	380	50	1.65	600	1430	/	72	5	12	B	
		60	1.65	850	1620		74			C	
AMI-AF9-BAG550PL03	380	50	1.3	330	940	/	69	5	12	D	
		60	1.15	430	1100		70			E	

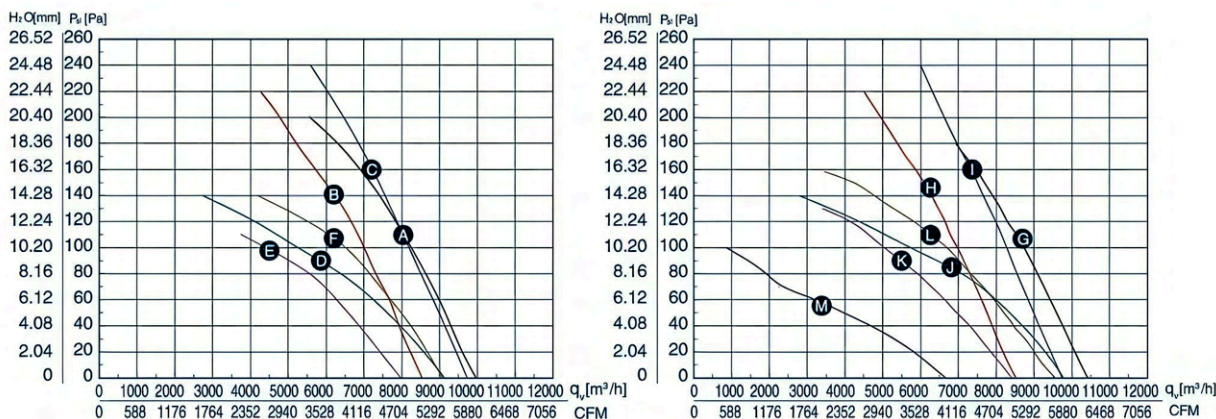
AC Axial Fan Φ600 AMI-AF9-B Series



Approvals:

Specifications	
Mode of operation	S1
Insulation class	Class "B" or "F"
Type of Protection	IP44, IP54
Ambient Temperature	-30°C ~ 60°C

Wind Volume Curve:



Technical Parameters:

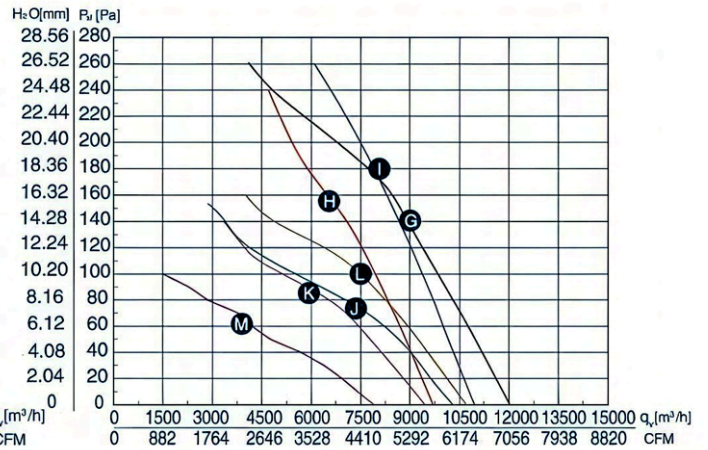
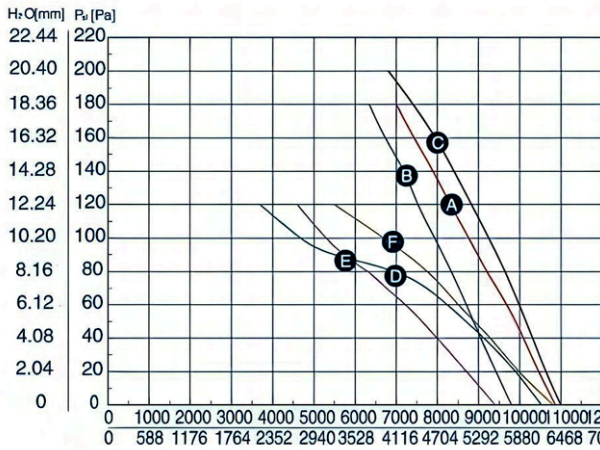
TYPE	VOLTAGE V	FREQUENCY Hz	CURRENT A	INPUT W	SPEED r/min	CAPACITANCE uF	NOISE dBA	BLADE	NET WEIGHT kg	CURVE NO.	NOTE.
AMI-AF9-BAQ600PL00	220	50	3.20	700	1360	16	74	5	14.0	A	
AMI-AF9-BO600PL00	220	50	2.90	605	1400	16	73	5	14.0	B	
		60	4.20	900	1620		75			C	
AMI-AF9-BAQ600PL01	220	50	2.45	480	900	12	70	5	14.0	D	
AMI-AF9-BO600PL01	220	50	2.30	450	910	12	70	5	14.0	E	
		60	2.80	600	1100		71			F	
AMI-AF9-BAR600PL00	380	50	1.57	780	1360	/	74	5	14.0	G	
AMI-AF9-BAG600PL00	380	50	1.20	530	1380	/	73	5	14.0	H	
		60	1.45	800	1580		75			I	
AMI-AF9-BAR600PL01	380	50	1.45	500	920	/	70	5	14.0	J	
AMI-AF9-BAG600PL01	380	50	1.35	350	950	/	70	5	14.0	K	
		60	1.20	500	1100		71			L	
AMI-AF9-BAR600PL02	380	50	0.65	210	680	/	56	5	13.5	M	*58



Specifications	
Mode of operation	S1
Insulation class	Class "B" or "F"
Type pf Protection	IP44, IP54
Ambient Temperature	-30°C ~ 60°C

Approvals:  

Wind Volume Curve:

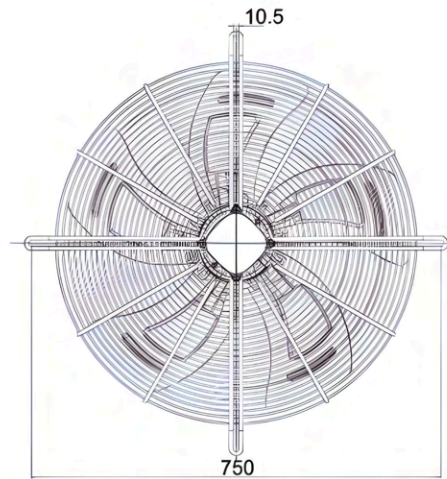
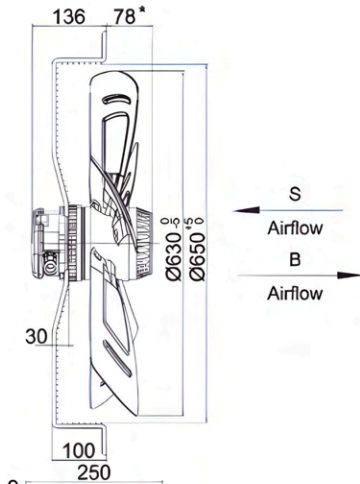


Technical Parameters

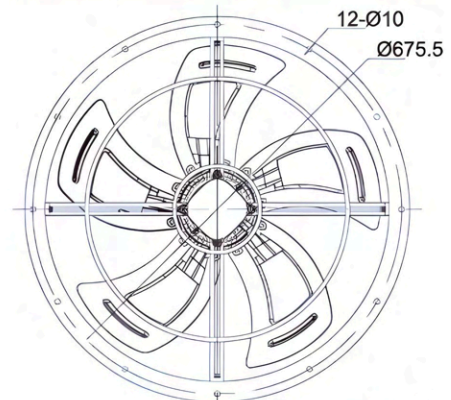
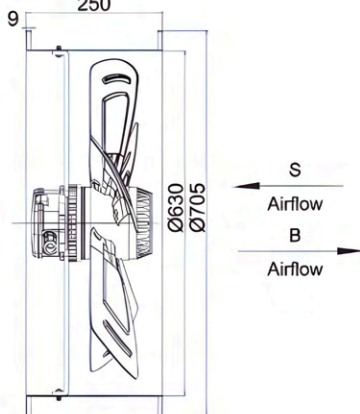
TYPE	VOLTAGE V	FREQUENCY Hz	CURRENT A	INPUT W	SPEED r/min	CAPACITANCE uF	NOISE dBA	BLADE	NET WEIGHT kg	CURVE NO.	NOTE.
AMI-AF9-BAQ630PL00	220	50	3.50	750	1360	16	75	5	15.0	A	
AMI-AF9-BO630PL00	220	50	3.20	700	1380	20	75	5	15.0	B	
		60	4.40	1050	1530		77			C	
AMI-AF9-BAQ630PL01	220	50	2.70	550	900	12	71	5	15.0	D	
AMI-AF9-BO630PL01	220	50	2.40	480	920	12	71	5	15.0	E	
		60	2.60	570	1100		72			F	
AMI-AF9-BAR630PL12	380	50	1.60	800	1320	/	75	5	15.0	G	
AMI-AF9-BAG630PL00	380	50	1.62	550	1380	/	75	5	15.0	H	
		60	1.53	865	1585		77			I	
AMI-AF9-BAR630PL01	380	50	1.45	550	900	/	71	5	15.0	J	
AMI-AF9-BAG630PL01	380	50	1.35	400	920	/	71	5	15.0	K	
		60	1.20	560	1100		72			L	
AMI-AF9-BAR630PL02	380	50	0.60	220	670	/	58	5	14.5	M	*58



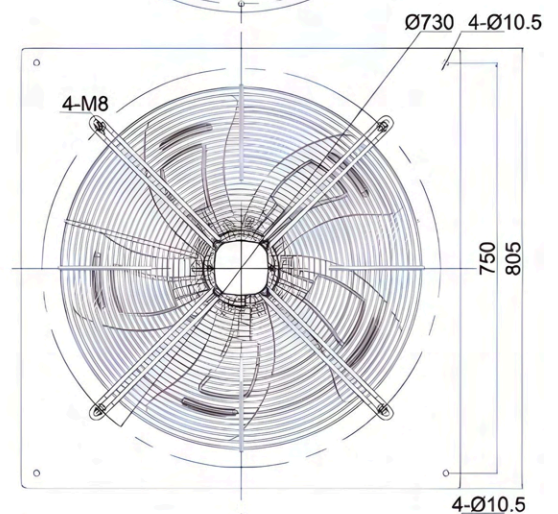
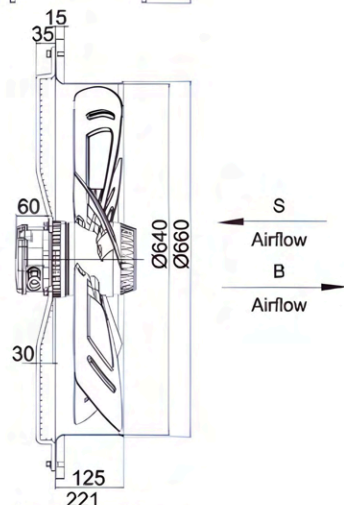
Grid Fan



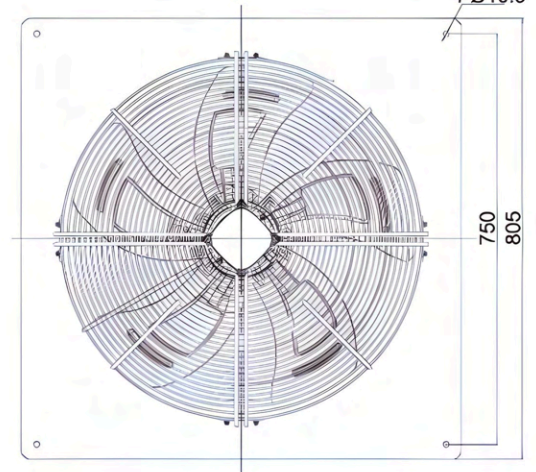
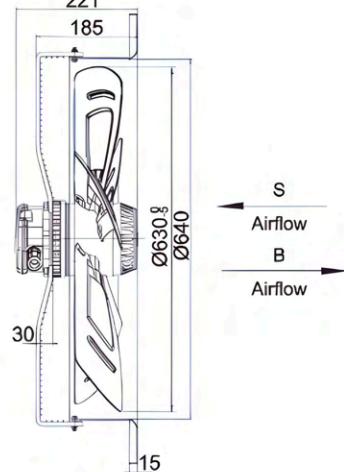
Cylinder Fan



Square Frame Fan B0



Square Frame Fan B1

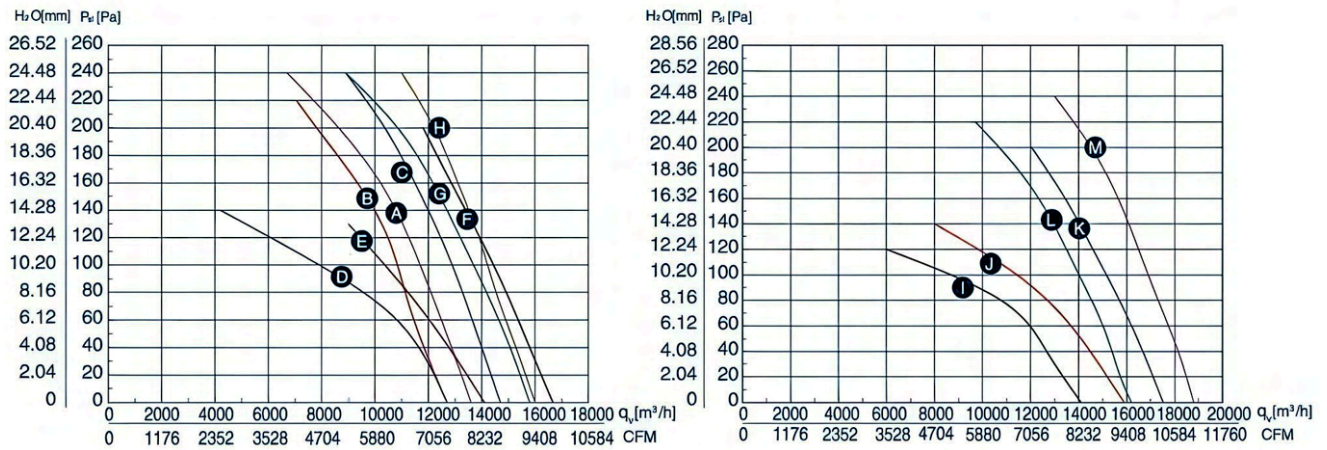




Specifications	
Mode of operation	S1
Insulation class	Class "B" or "F"
Type pf Protection	IP44, IP54
Ambient Temperature	-30°C ~ 60°C

Approvals:  

Wind Volume Curve:



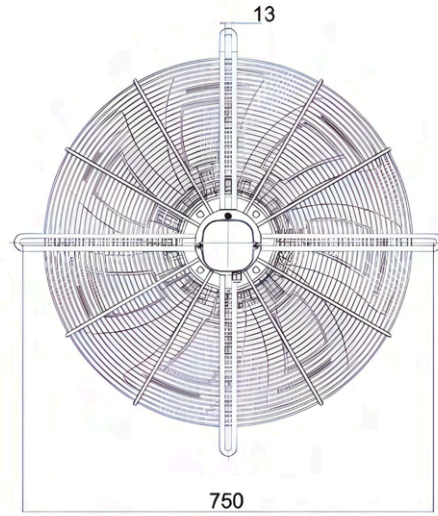
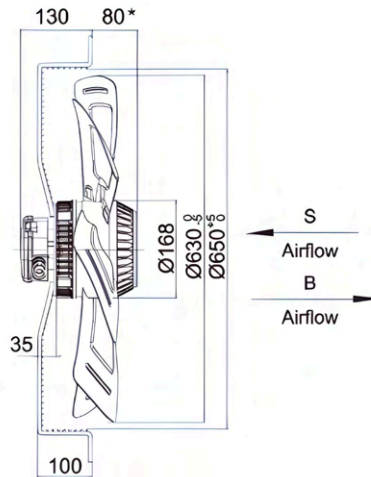
Technical Parameters

TYPE	VOLTAGE V	FREQUENCY Hz	CURRENT A	INPUT W	SPEED r/min	CAPACITANCE uF	NOISE dBA	BLADE	NET WEIGHT kg	CURVE NO.	NOTE.
AMI-AF9-BAR630PL03	380	50	2.40	1350	1380	/	78	7	22.0	A	
AMI-AF9-BAG630PL03	380	50	2.10	980	1400	/	77	7	22.0	B	
		60	2.80	1500	1590		79			C	
AMI-AF9-BAR630PL04	380	50	1.65	720	920	/	71	7	22.0	D	
		60	1.95	1020	1020		73			E	
AMI-AF9-BAR630PL05	380	50	2.90	1450	1390	/	79	7	23.5	F	*95
AMI-AF9-BAG630PL05	380	50	2.60	1120	1410	/	78	7	23.5	G	*95
		60	3.30	1710	1620		81			H	*95
AMI-AF9-BAG630PL06	380	50	2.15	900	930	/	72	7	23.5	O	*95
		60	2.54	1300	1030		74			J	*95
AMI-AF9-BAR630PL06	380	50	4.20	1900	1400	/	80	7	25.0	K	*110
AMI-AF9-BAG630PL07	380	50	3.18	1450	1420	/	79	7	25.0	L	*110
		60	4.16	2180	1630		82			M	*110

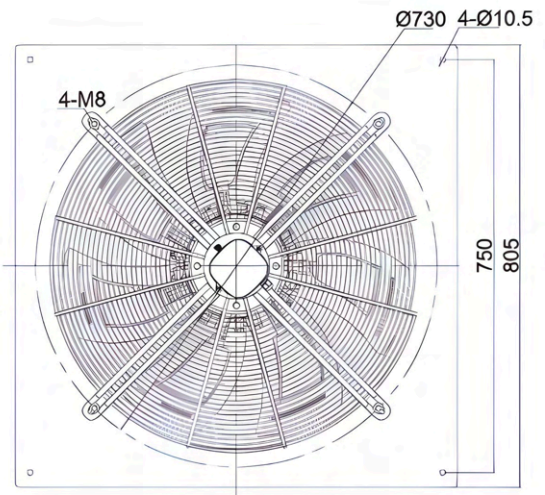
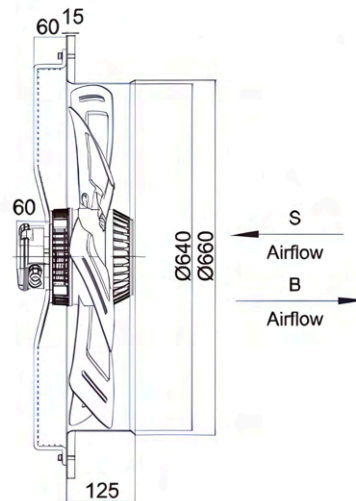
AC Axial Fan
 Ø630
 AMI-AF9-B Series



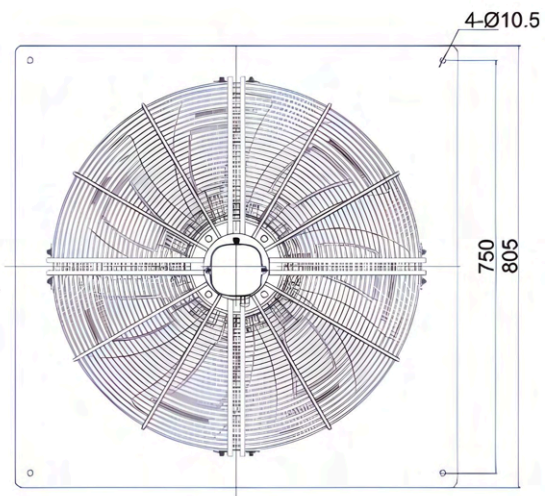
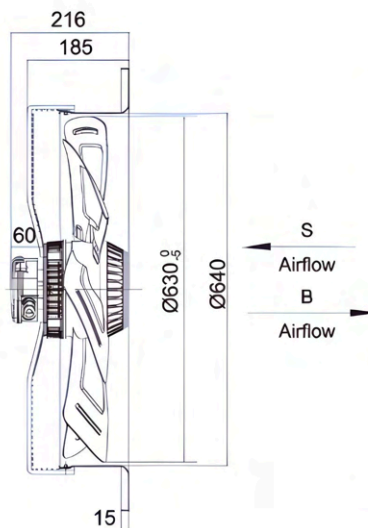
Grid Fan



Square Frame Fan B0



Square Frame Fan B1

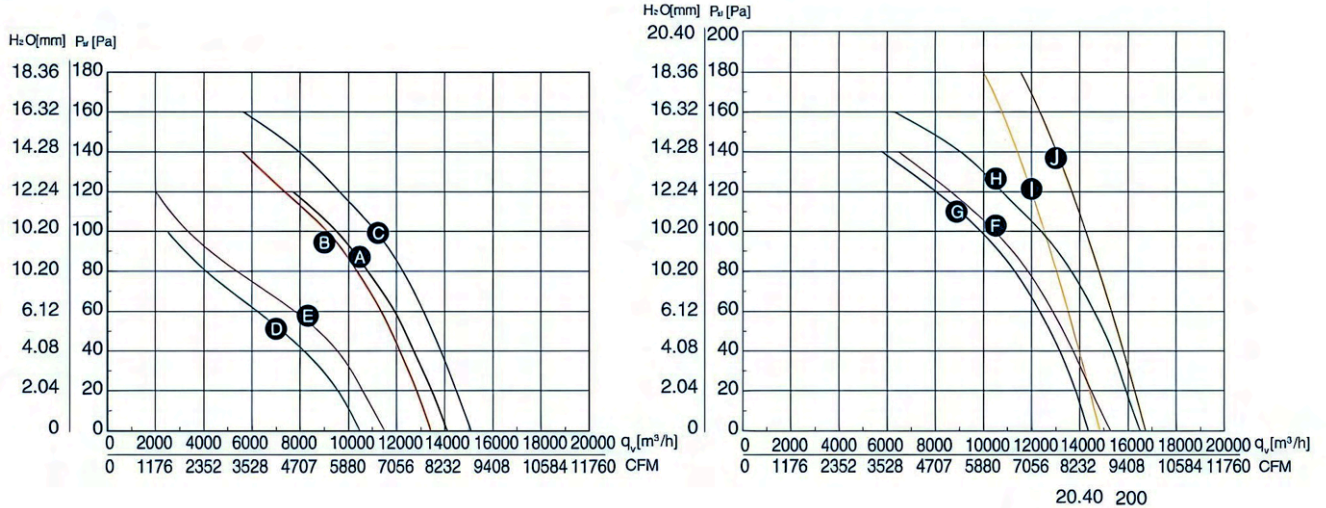




Specifications	
Mode of operation	S1
Insulation class	Class "B" or "F"
Type of Protection	IP44, IP54
Ambient Temperature	-30°C ~ 60°C

Approvals:  

Wind Volume Curve:



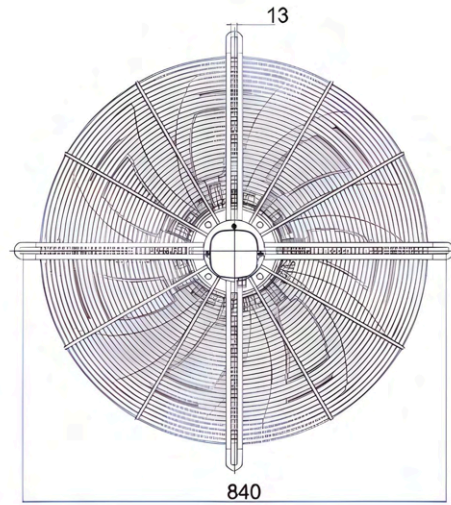
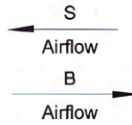
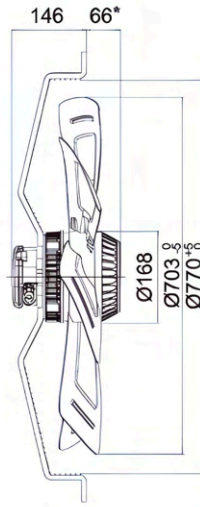
Technical Parameters

TYPE	VOLTAGE V	FREQUENCY Hz	CURRENT A	INPUT W	SPEED r/min	CAPACITANCE uF	NOISE dBA	BLADE	NET WEIGHT kg	CURVE NO.	NOTE.
AMI-AF9-BAR710PL00	380	50	1.85	830	900	/	72	7	25.0	A	
AMI-AF9-BAG710PL00	380	50	1.70	720	920	/	72	7	25.0	B	
		60	1.95	1050	1060		75			C	
AMI-AF9-BAG710PL01	380	50	1.00	460	650	/	64	7	25.0	B	
		60	1.18	630	720		67			E	
AMI-AF9-BAR710PL01	380	50	2.08	950	910	/	73	7	26.5	F	*81
AMI-AF9-BAG710PL02	380	50	2.05	850	930	/	73	7	26.5	G	*81
		60	2.55	1280	1080		76			H	*81
AMI-AF9-BAR710PL03	380	50	2.50	1450	1380	/	80	7	25.0	I	
AMI-AF9-BAR710PL04	380	50	3.06	1750	1380	/	81	7	26.5	J	*81

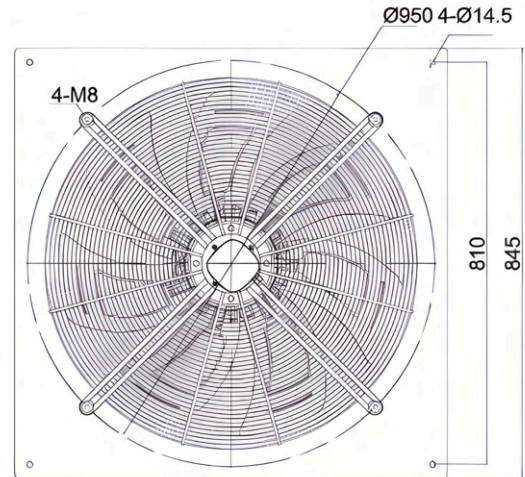
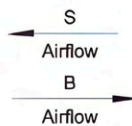
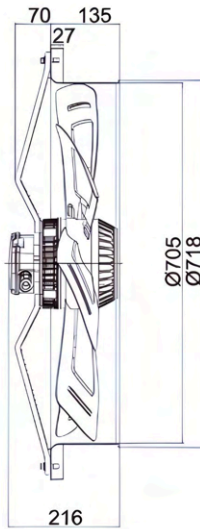
AC Axial Fan
Φ710
AMI-AF9-B Series



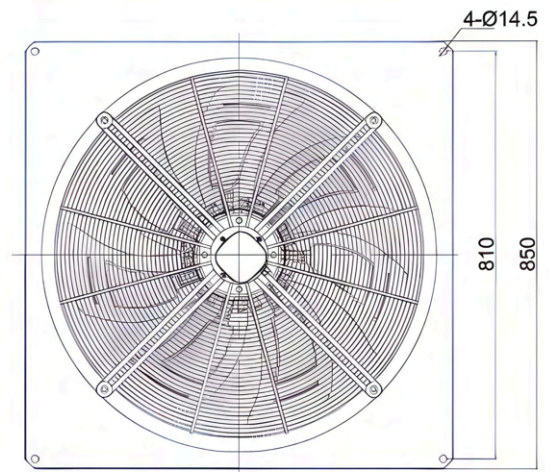
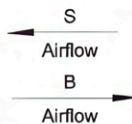
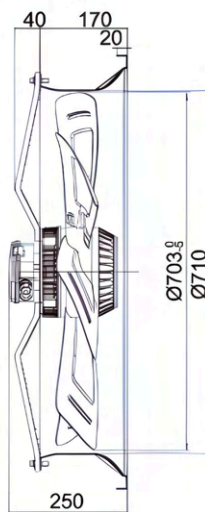
Grid Fan



Square Frame Fan B0



Square Frame Fan B1

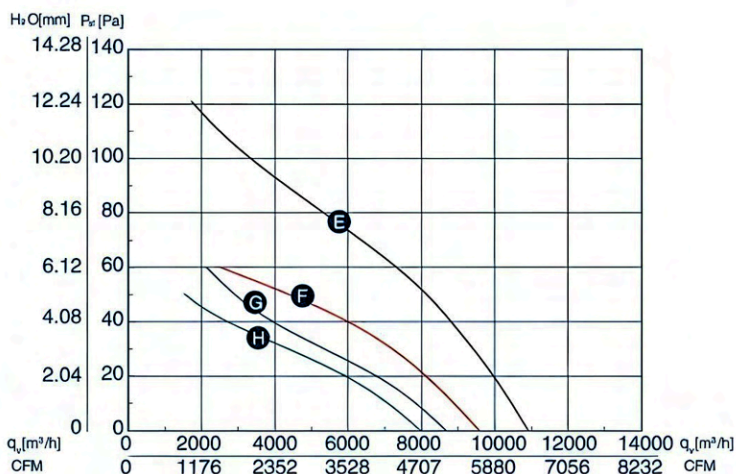
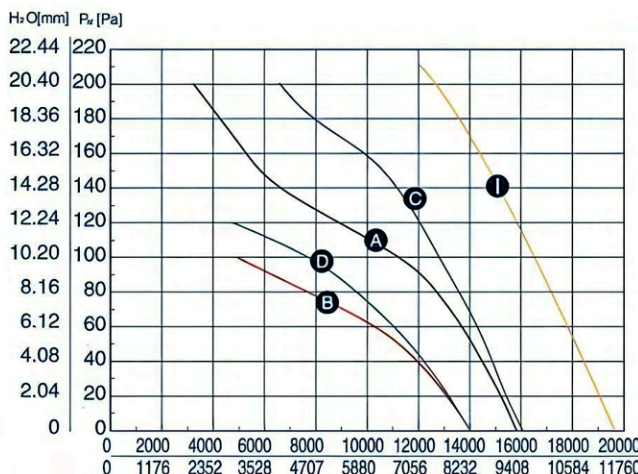




Specifications	
Mode of operation	S1
Insulation class	Class "B" or "F"
Type pf Protection	IP44, IP54
Ambient Temperature	-30°C ~ 60°C

Approvals:  

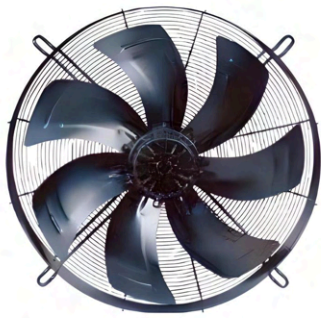
Wind Volume Curve:



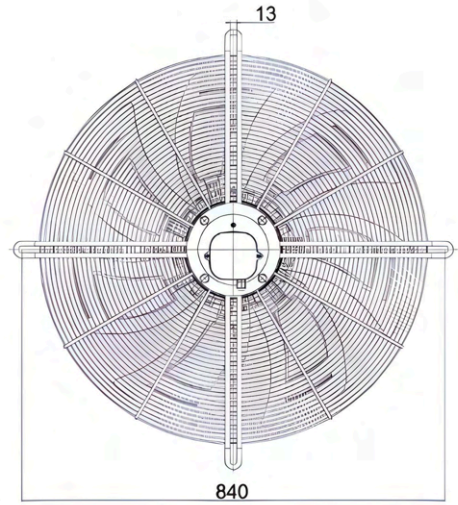
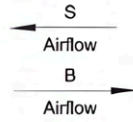
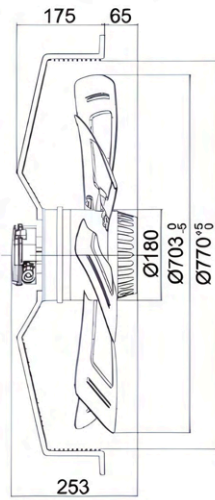
Technical Parameters

TYPE	VOLTAGE V	FREQUENCY Hz	CURRENT A	INPUT W	SPEED r/min	CAPACITANCE uF	NOISE dBA	BLADE	NET WEIGHT kg	CURVE NO.	NOTE.
AMI-AF9-B380710PL01	380	50	Δ 1.90	900	900	/	73	7	25.0	A	
			Y 1.15	650	730		72			B	
	380	60	Δ 2.43	1250	1100	/	78	7	25.0	C	
			Y 1.77	970	900		69			D	
AMI-AF9-BAR710PL02	380	50	Δ 0.90	370	690	/	68	7	25.0	E	
			Y 0.53	280	580		63			F	
AMI-AF9-BAR710PL05	380	50	Δ 0.80	10	470	/	60	7	25.0	G	
			Y 0.47	170	420		58			H	
AMI-AF9-BAR710PL06	380	50	3.50	1900	1380	/	84	7	25.0	I	

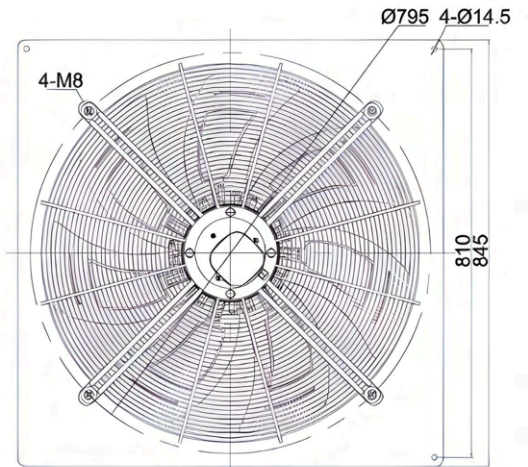
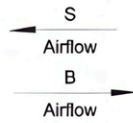
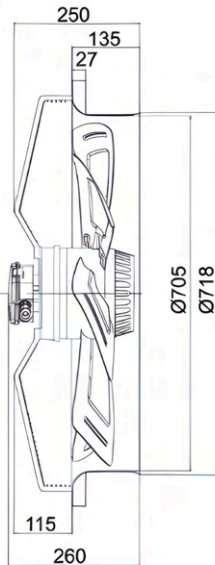
AC Axial Fan
 Ø710
 AMI-AF9-B Series



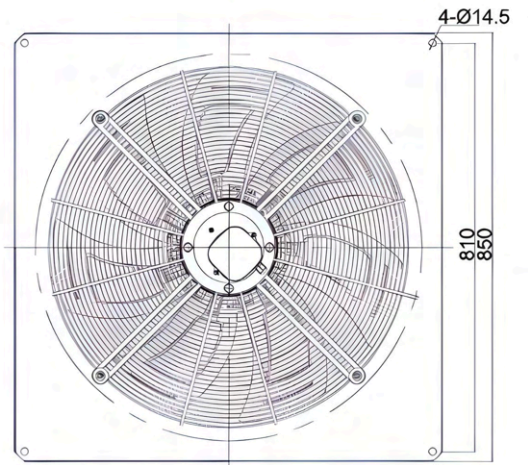
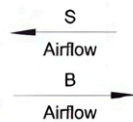
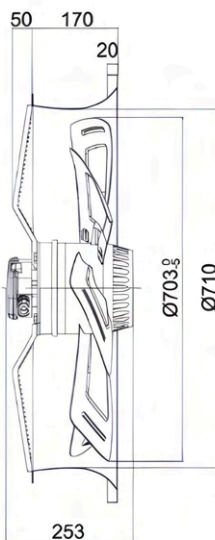
Grid Fan



Square Frame Fan B0



Square Frame Fan B1

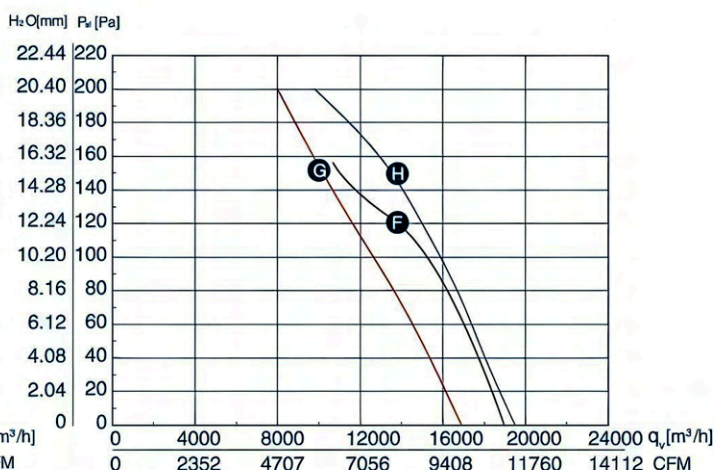
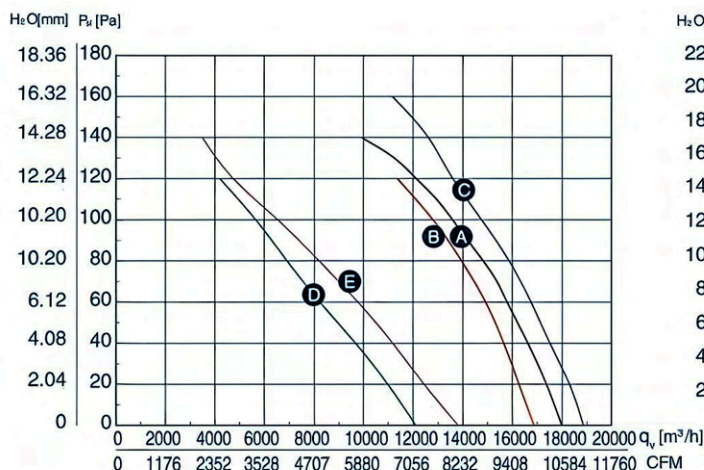




Specifications	
Mode of operation	S1
Insulation class	Class "B" or "F"
Type pf Protection	IP44, IP54
Ambient Temperature	-30°C ~ 60°C

Approvals:  

Wind Volume Curve:



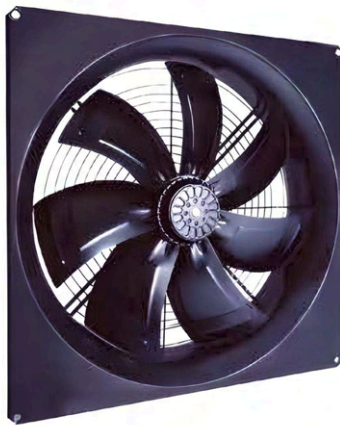
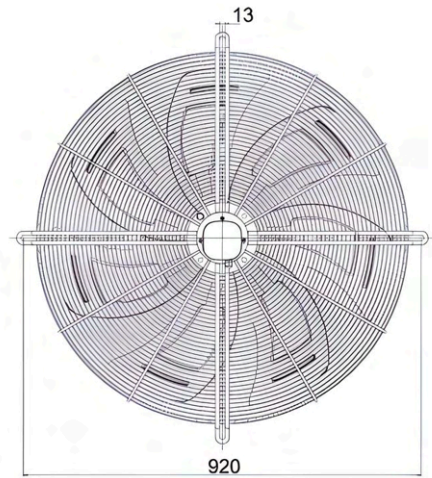
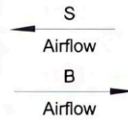
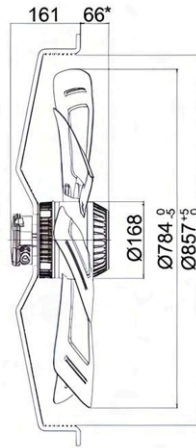
Technical Parameters

TYPE	VOLTAGE V	FREQUENCY Hz	CURRENT A	INPUT W	SPEED r/min	CAPACITANCE uF	NOISE dBA	BLADE	NET WEIGHT kg	CURVE NO.	NOTE.
AMI-AF9-BAR800PL02	380	50	2.40	1200	900	/	74	7	28.0	A	
AMI-AF9-BAG800PL00	380	50	2.35	1100	910	/	74	7	28.0	B	
		60	2.70	1500	1030		78			C	
AMI-AF9-BAR800PL01	380	50	1.41	650	650	/	69	7	28.0	D	
		60	1.62	850	720		70			E	
AMI-AF9-BAG800PL01	380	50	2.65	1350	900	/	75	7	30.0	F	*81
AMI-AF9-BAG800PL02	380	50	2.50	1250	920	/	75	7	30.0	G	*81
		60	3.20	1750	1020		80			H	*81

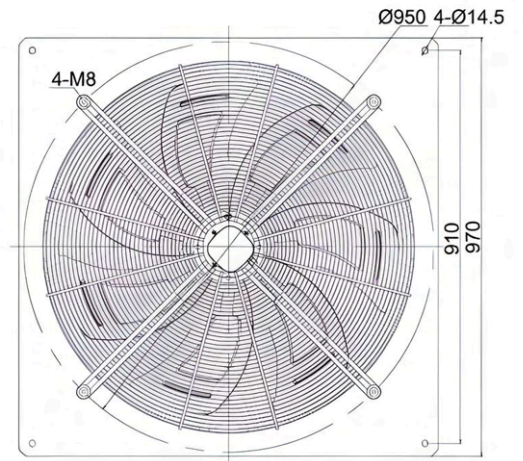
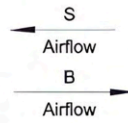
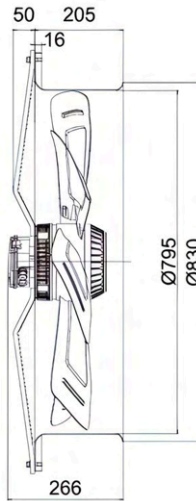
AC Axial Fan
Ø800
AMI-AF9-B Series



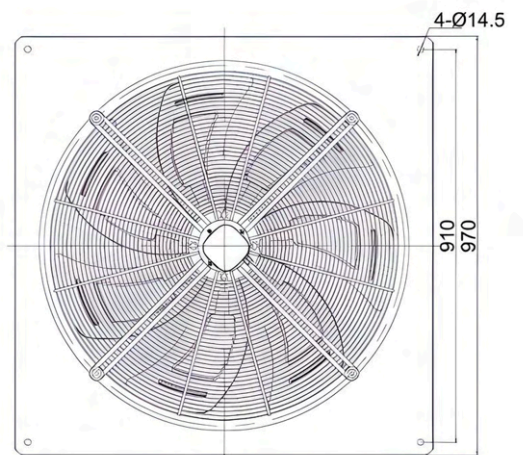
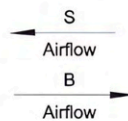
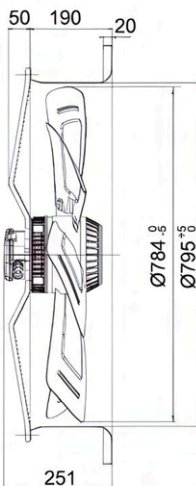
Grid Fan



Square Frame Fan B0



Square Frame Fan B1

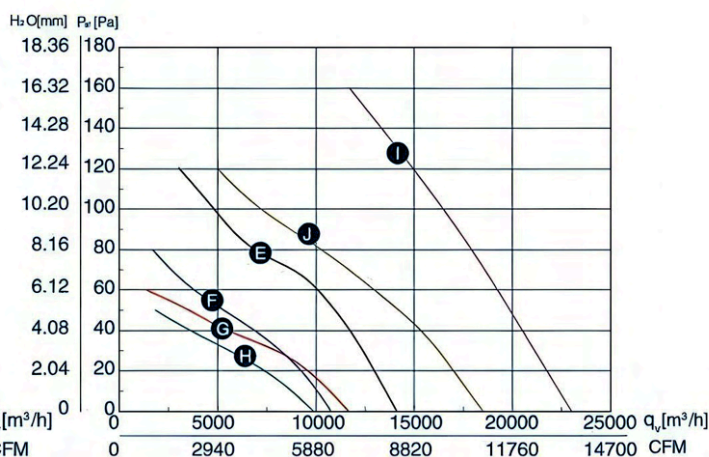
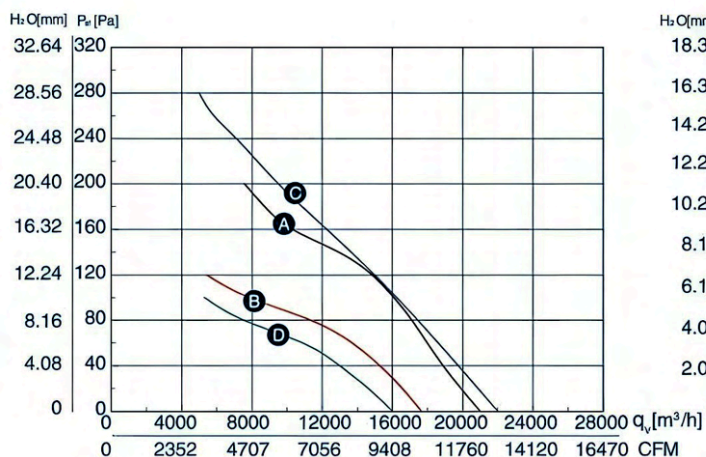




Specifications	
Mode of operation	S1
Insulation class	Class "B" or "F"
Type pf Protection	IP44, IP54
Ambient Temperature	-30°C ~ 60°C

Approvals:  

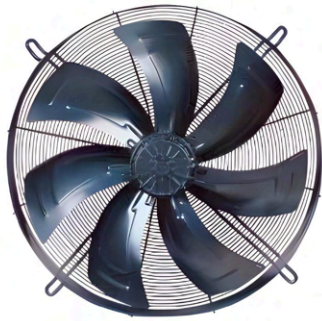
Wind Volume Curve:



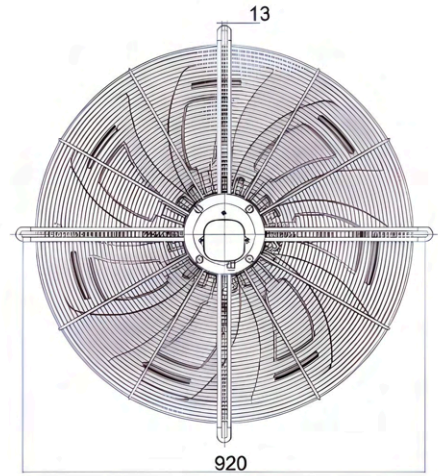
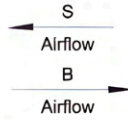
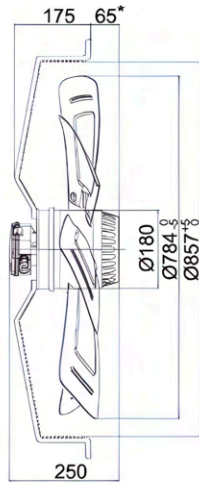
Technical Parameters

TYPE	VOLTAGE V	FREQUENCY Hz	CURRENT A	INPUT W	SPEED r/min	CAPACITANCE uF	NOISE dBA	BLADE	NET WEIGHT kg	CURVE NO.	NOTE.
AMI-AF9-BAG800PL03	380	50	Δ 2.85	1200	920	/	75	7	35.0	A	
			Y 1.65	930	770		74			B	
AMI-AF9-BAR800PL04	380	60	Δ 2.67	1420	1100	/	79	7	35.0	C	
			Y 2.00	1080	855		78			D	
AMI-AF9-BAR800PL05	380	50	Δ 1.07	495	670	/	70	7	35.0	E	
			Y 0.65	350	525		63			F	
AMI-AF9-BAR800PL00	380	50	Δ 1.35	350	470	/	62	7	35.0	G	
			Y 0.50	210	410		60			H	
AMI-AF9-BAR800PL00	380	50	Δ 3.80	1860	900	/	77	7	40.0	I	*90
			Y 2.30	1250	720		75			J	*90

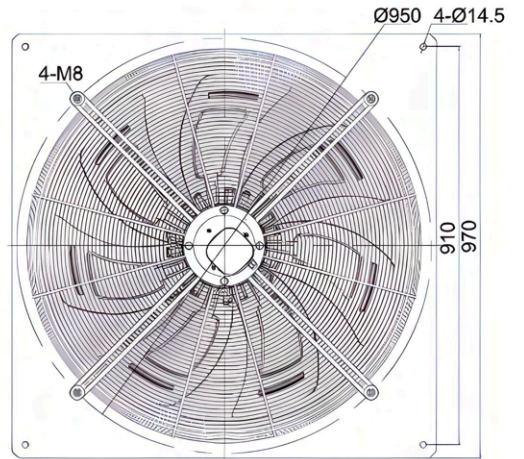
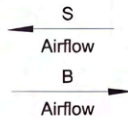
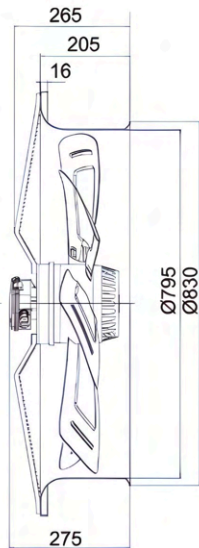
AC Axial Fan
Φ800
AMI-AF9-B Series



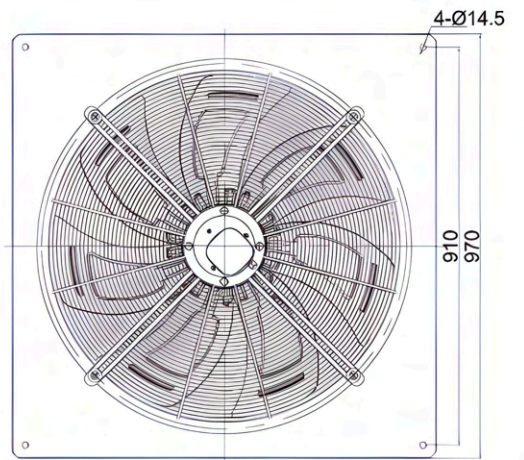
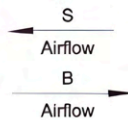
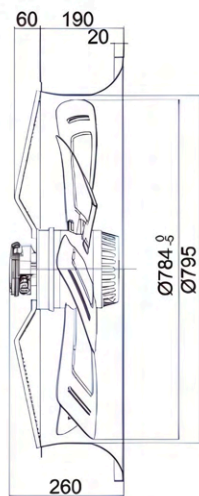
Grid Fan

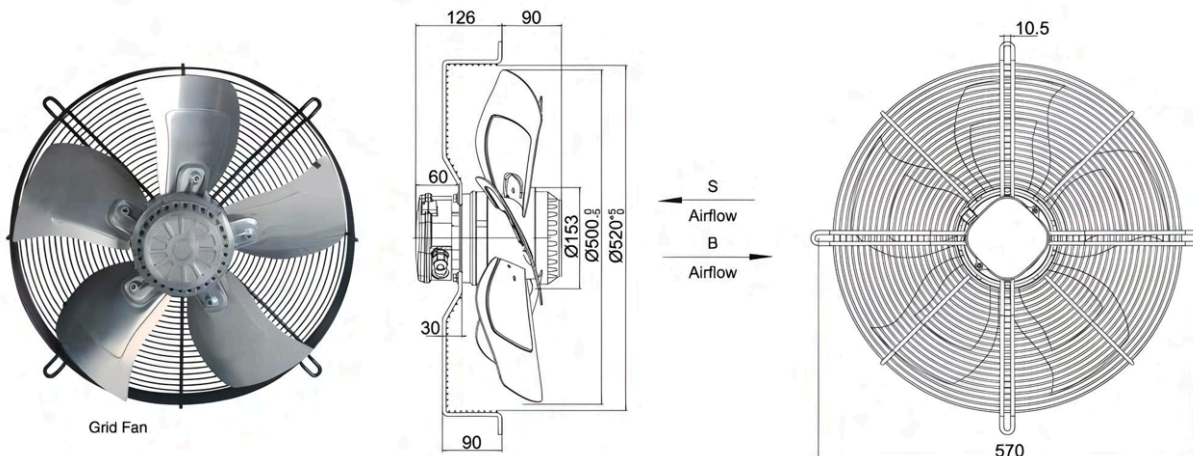


Square Frame Fan B0



Square Frame Fan B1

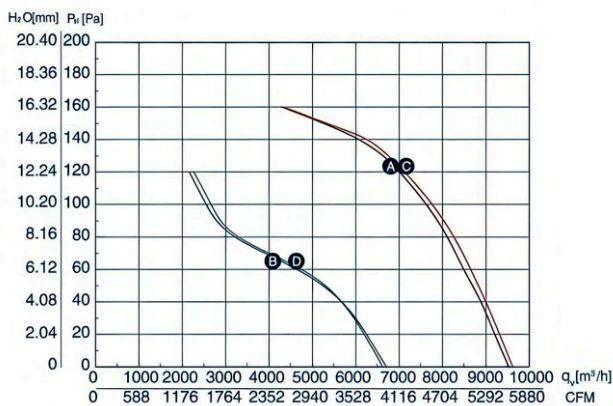




Approvals:

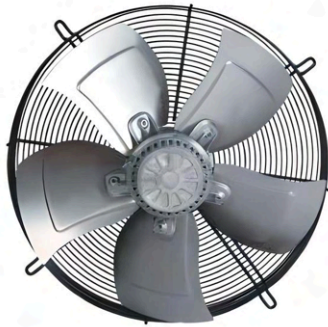
Specifications	
Mode of operation	S1
Insulation class	Class "B" or "F"
Type of Protection	IP44, IP54
Ambient Temperature	-30°C ~ 60°C

Wind Volume Curve:

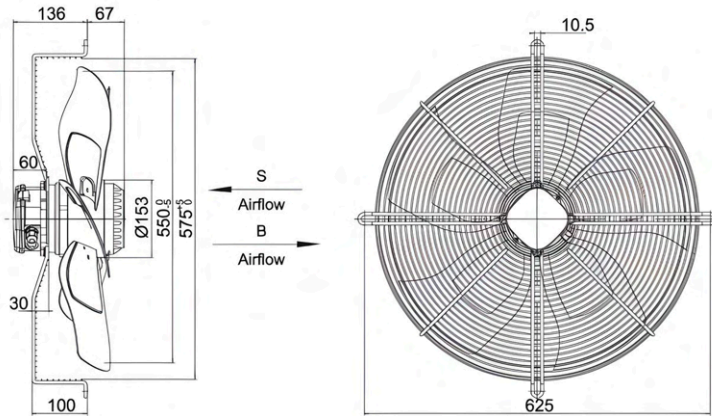


Technical Parameters:

TYPE	VOLTAGE V	FREQUENCY Hz	CURRENT A	INPUT W	SPEED r/min	CAPACITANCE uF	NOISE dBA	BLADE	NET WEIGHT kg	CURVE NO.	NOTE.
AMI-AF9-BAQ500PL03	220	50	4.15	900	1325	16	72	5	16.0	A	
AMI-AF9-BAQ500PL01	220	50	1.90	320	880	10	68	5	16.0	B	
AMI-AF9-BAR500PL01	380	50	1.50	800	1320	/	72	5	16.0	C	
AMI-AF9-BAR500PL03	380	50	1.00	300	900	/	68	5	16.0	D	



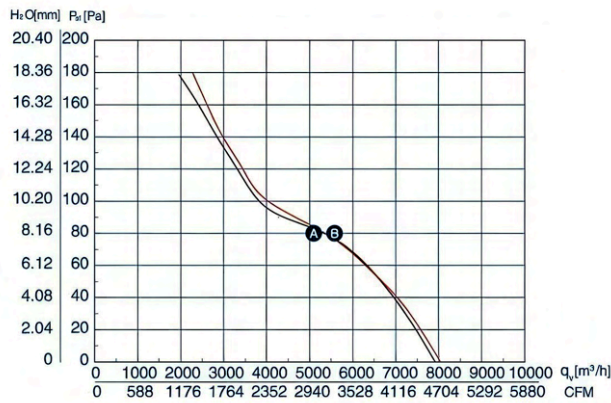
Grid Fan



Approvals:

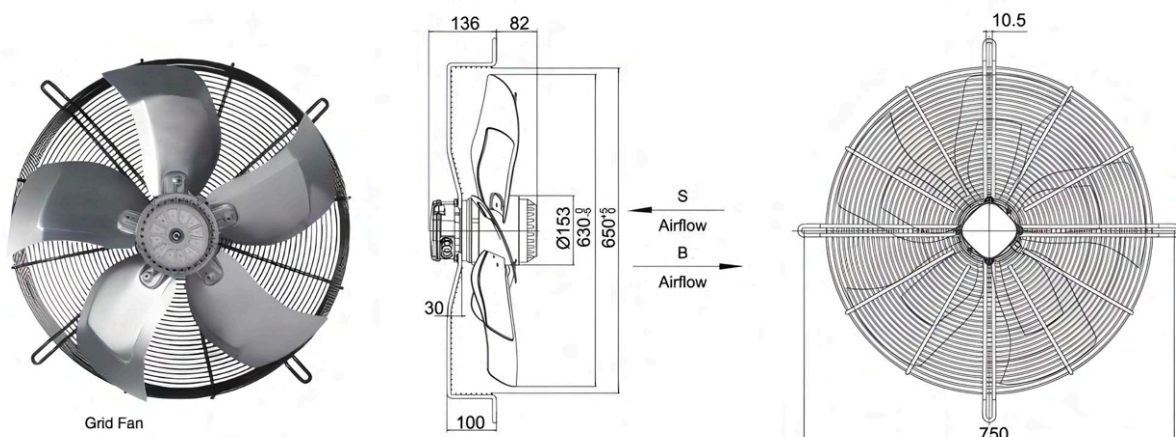
Specifications	
Mode of operation	S1
Insulation class	Class "B" or "F"
Type pf Protection	IP44, IP54
Ambient Temperature	-30°C ~ 60°C

Wind Volume Curve:



Technical Parameters:

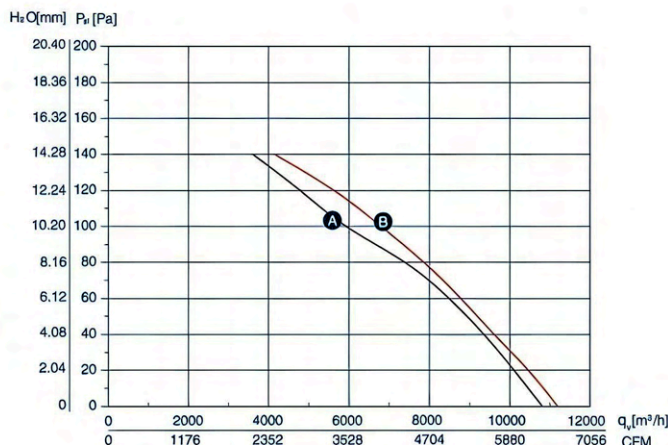
TYPE	VOLTAGE V	FREQUENCY Hz	CURRENT A	INPUT W	SPEED r/min	CAPACITANCE uF	NOISE dBA	BLADE	NET WEIGHT kg	CURVE NO.	NOTE.
AMI-AF9-BAQ560PL00	220	50	2.30	500	900	16	69	5	17.0	A	
AMI-AF9-BAR560PL00	380	50	1.30	380	900	/	69	5	17.0	B	



Approvals:  

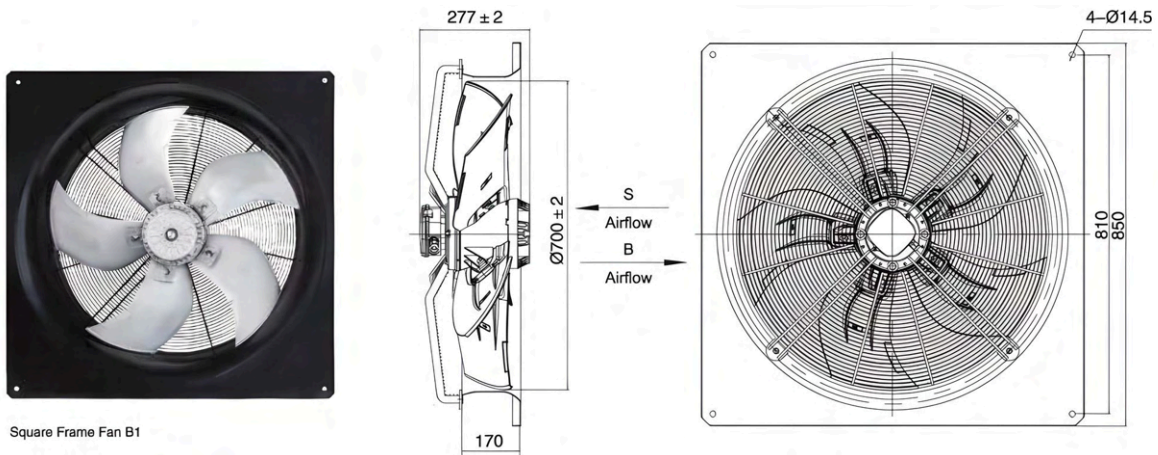
Specifications	
Mode of operation	S1
Insulation class	Class "B" or "F"
Type of Protection	IP44, IP54
Ambient Temperature	-30°C ~ 60°C

Wind Volume Curve:



Technical Parameters:

TYPE	VOLTAGE V	FREQUENCY Hz	CURRENT A	INPUT W	SPEED r/min	CAPACITANCE uF	NOISE dBA	BLADE	NET WEIGHT kg	CURVE NO.	NOTE.
AMI-AF9-BAQ630PL04	220	50	2.98	617	900	16	71	5	18.0	A	
AMI-AF9-BAR630PL00	380	50	1.50	580	900	/	71	5	18.0	B	

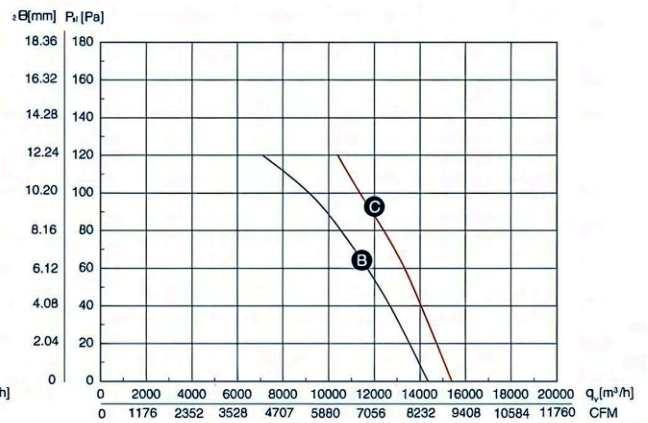
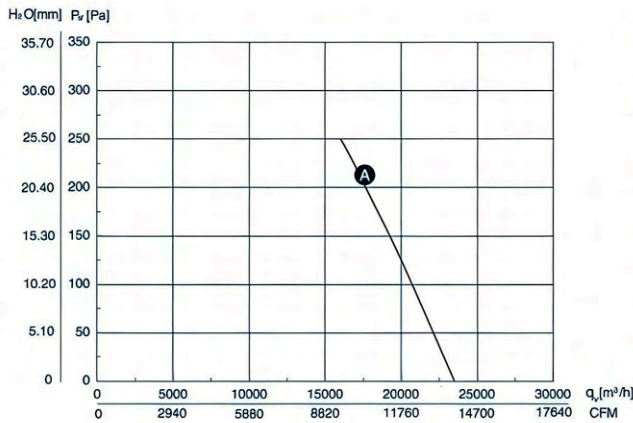


Square Frame Fan B1

Approvals: **UL[®] US** **CE**

Specifications	
Mode of operation	S1
Insulation class	Class "B" or "F"
Type pf Protection	IP44, IP54
Ambient Temperature	-30°C ~ 60°C

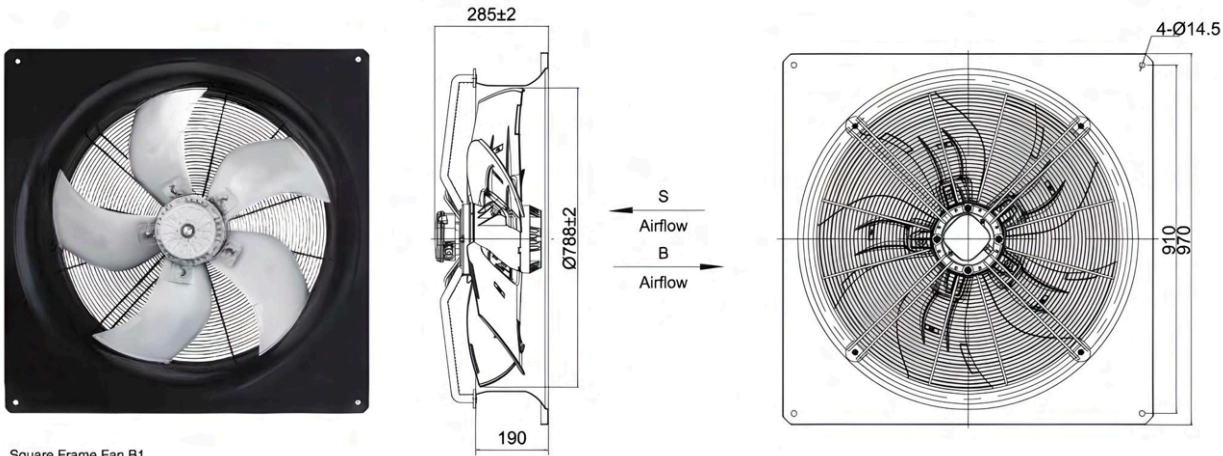
Wind Volume Curve:



Technical Parameters:

TYPE	VOLTAGE V	FREQUENCY Hz	CURRENT A	INPUT W	SPEED r/min	CAPACITANCE uF	NOISE dBA	BLADE	NET WEIGHT kg	CURVE NO.	NOTE.
AMI-AF9-BAR710PL07	380	50	Δ 4.40	2260	1380	/	79	5	40.0	A	
AMI-AF9-BAG710PL07	380	50	Δ 2.50	1020	950	/	72	5	40.0	B	
		60	Δ 1.40	820	850		71			C	

**AC Axial Fan
 Ø800-AL Fans
 AMI-AF9-B Series**

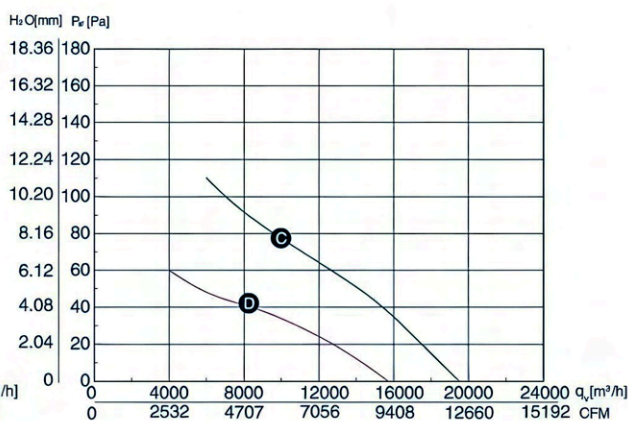
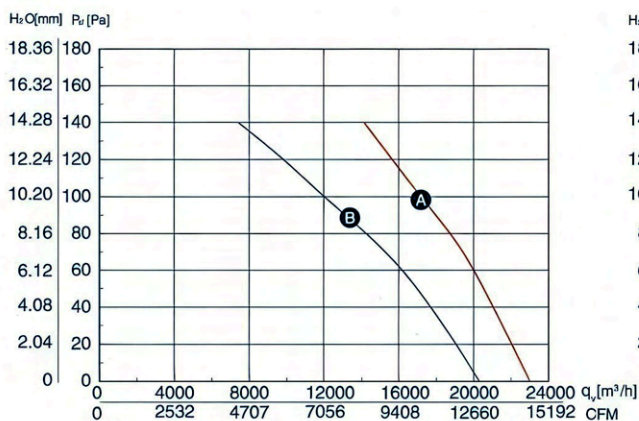


Square Frame Fan B1

Approvals:

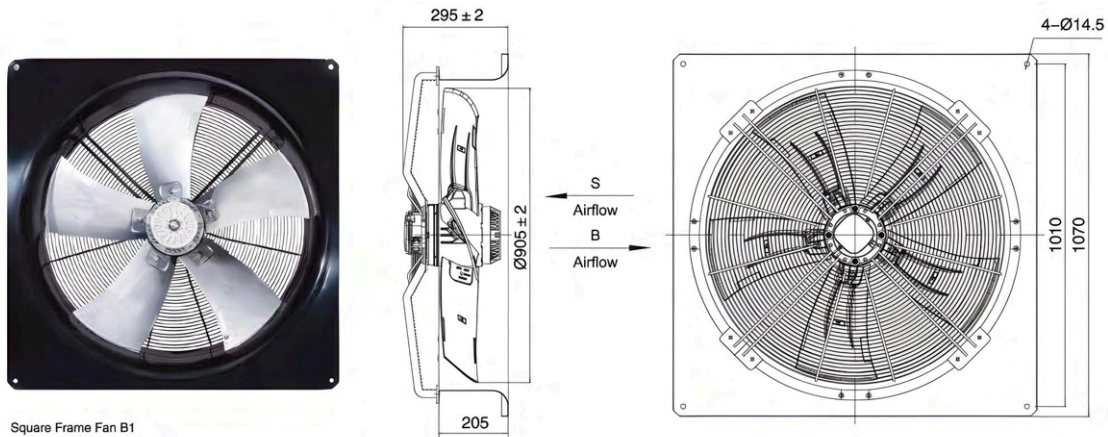
Specifications	
Mode of operation	S1
Insulation class	Class "B" or "F"
Type of Protection	IP44, IP54
Ambient Temperature	-30°C ~ 60°C

Wind Volume Curve:



Technical Parameters:

TYPE	VOLTAGE V	FREQUENCY Hz	CURRENT A	INPUT W	SPEED r/min	CAPACITANCE uF	NOISE dBA	BLADE	NET WEIGHT kg	CURVE NO.	NOTE.
AMI-AF9-BAR800PL08	380	50	Δ 3.45	1900	890	/	74	5	45.0	A	
			Y 2.20	1300	700		73			B	
AMI-AF9-BAR800PL09	380	50	Δ 2.20	850	670	/	70	5	45.0	C	
			Y 1.07	535	450		68			D	

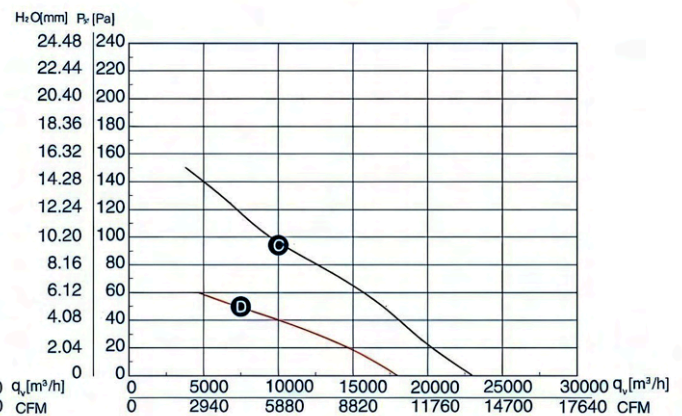
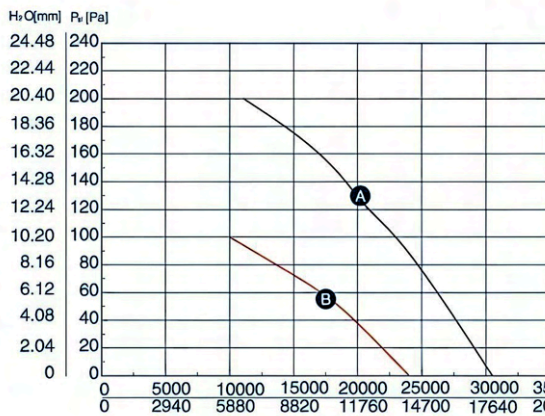


Square Frame Fan B1

Approvals: CE

Specifications	
Mode of operation	S1
Insulation class	Class "B" or "F"
Type of Protection	IP44, IP54
Ambient Temperature	-30°C ~ 60°C

Wind Volume Curve:

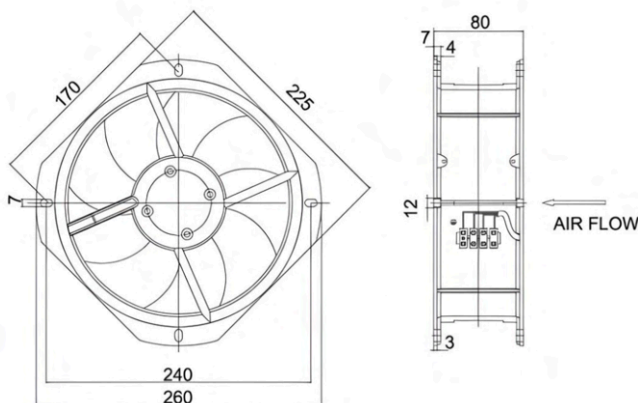


Technical Parameters:

TYPE	VOLTAGE V	FREQUENCY Hz	CURRENT A	INPUT W	SPEED r/min	CAPACITANCE uF	NOISE dBA	BLADE	NET WEIGHT kg	CURVE NO.	NOTE.
AMI-AF9-BAR910PL00	380	50	Δ 5.37	2620	885	/	75	5	50.0	A	
			Y 3.08	1710	670		74			B	
AMI-AF9-BAR910PL01	380	50	Δ 2.93	1270	640	/	71	5	50.0	C	
			Y 1.37	640	460		69			D	



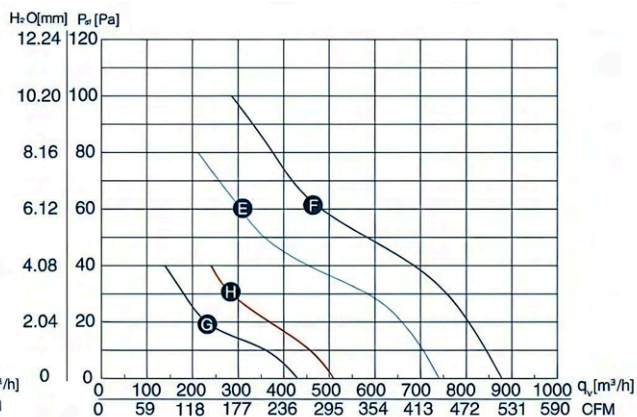
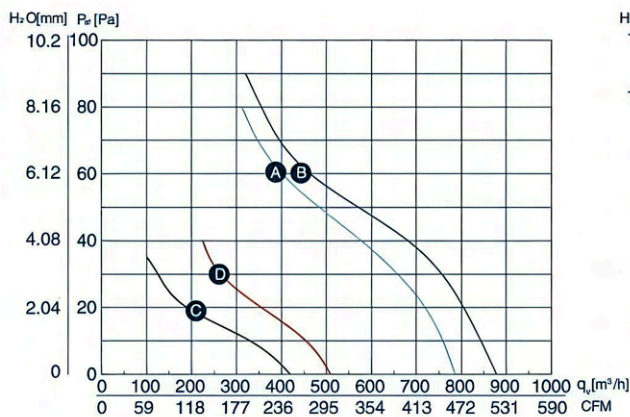
GB Fan



Approvals:

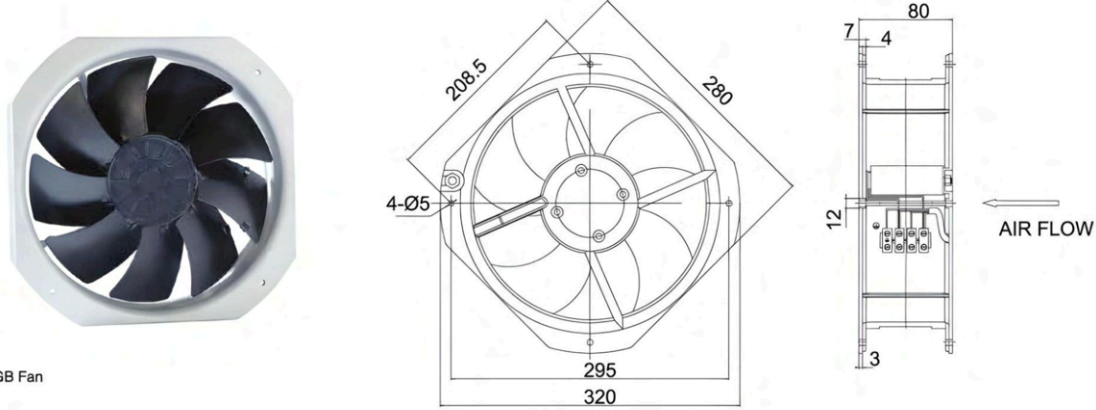
Specifications	
Mode of operation	S1
Insulation class	Class "B" or "F"
Type of Protection	IP44, IP54
Ambient Temperature	-30°C ~ 60°C

Wind Volume Curve:



Technical Parameters:

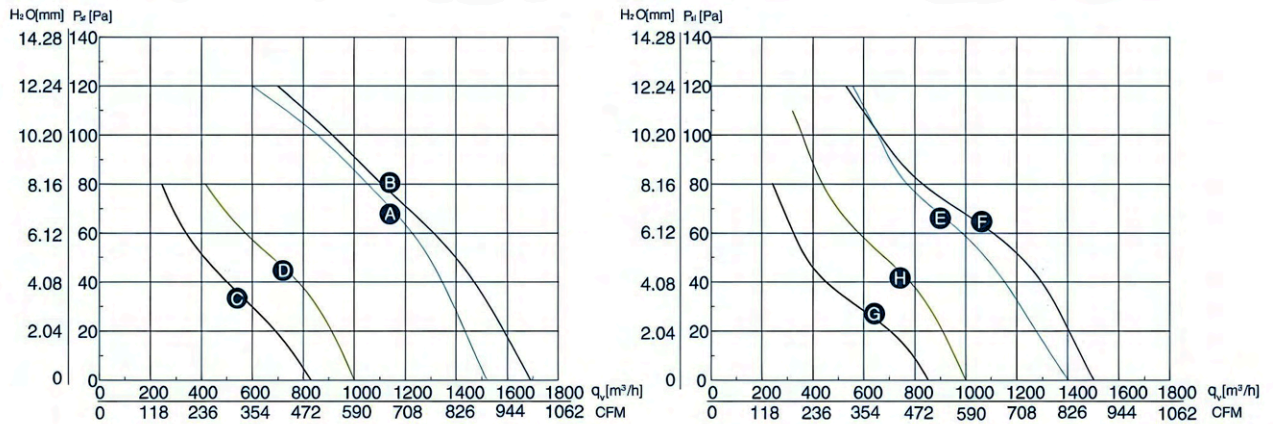
TYPE	VOLTAGE V	FREQUENCY Hz	CURRENT A	INPUT W	SPEED r/min	CAPACITANCE uF	NOISE dBA	BLADE	NET WEIGHT kg	CURVE NO.	NOTE.
AMI-AF9-BO200PL02	220	50	0.25	55	2500	2	52	9	2.5	A	
		60	0.28	65	2700		54			B	
AMI-AF9-BO200PL03	220	50	0.21	40	1400	1.5	46	9	2.5	C	
		60	0.20	40	1650		48			D	
AMI-AF9-BAG200PL02	380	50	0.11	55	2300	/	52	9	2.	E	
		60	0.10	60	2300		52			F	
AMI-AF9-BAG200PL03	380	50	0.10	35	1400	/	46	9	2.5	G	
		60	0.10	30	1650		48			H	



Approvals: 

Specifications	
Mode of operation	S1
Insulation class	Class "B" or "F"
Type pf Protection	IP44, IP54
Ambient Temperature	-30°C ~ 60°C

Wind Volume Curve:



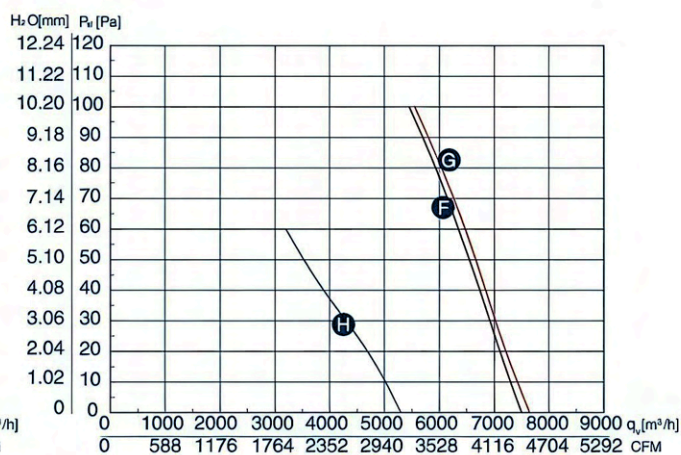
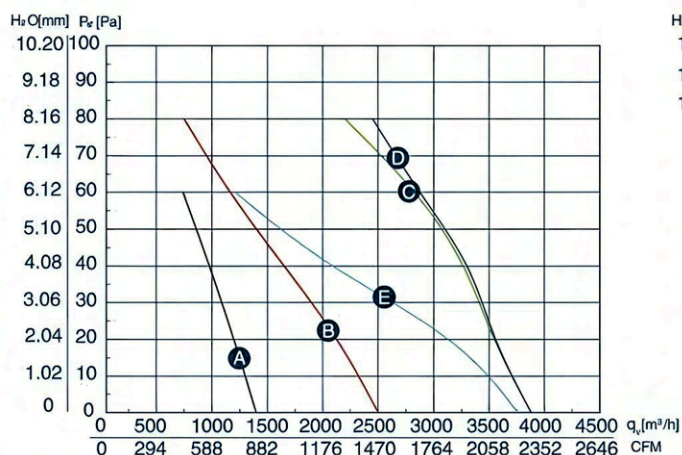
Technical Parameters:

TYPE	VOLTAGE V	FREQUENCY Hz	CURRENT A	INPUT W	SPEED r/min	CAPACITANCE uF	NOISE dBA	BLADE	NET WEIGHT kg	CURVE NO.	NOTE.
AMI-AF9-BO250PL03	220	50	0.42	90	2400	3	60	9	3.0	A	
		60	0.52	110	2400		60			B	
AMI-AF9-BO250PL02	220	50	0.23	50	1380	2	55	5	3.0	C	
		60	0.25	52	1650		56			D	
AMI-AF9-BAG250PL02	380	50	0.19	95	2400	/	60	9	3.0	E	
		60	0.21	120	2550		61			F	
AMI-AF9-BAG250PL03	380	50	0.18	55	1400	/	55	5	3.0	G	
		60	0.15	52	1650		56			H	

Approvals:  

Specifications	
Mode of operation	S1
Insulation class	Class "B" or "F"
Type pf Protection	IP44, IP54
Ambient Temperature	-30°C ~ 60°C

Wind Volume Curve:

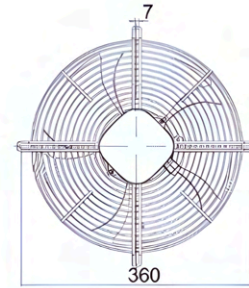
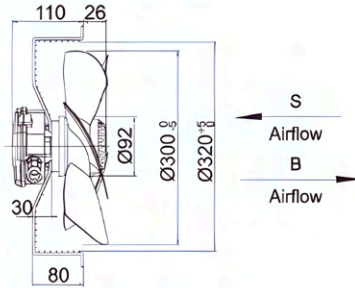


Technical Parameters:

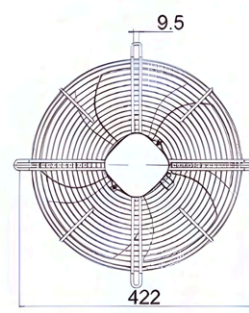
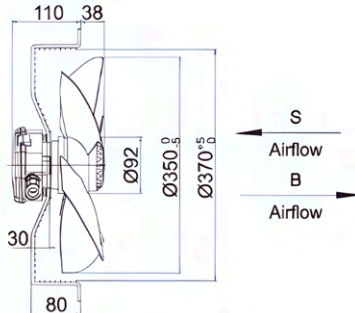
TYPE	VOLTAGE V	FREQUENCY Hz	CURRENT A	INPUT W	SPEED r/min	CAPACITANCE uF	NOISE dBA	BLADE	NET WEIGHT kg	CURVE NO.	NOTE.
AMI-AF9-BAQ300PL00	220	50	0.28	60	1330	2	58	5	2.5	A	
AMI-AF9-BAQ350PL00	220	50	0.55	120	1150	4	60	5	4.0	B	
AMI-AF9-BAQ400PL01	220	50	0.82	180	1380	6	62	5	5.5	C	
AMI-AF9-BAR400PL00	380	50	0.47	180	1380	/	62	5	5.5	D	
AMI-AF9-BAQ450PL01	220	50	0.70	160	820	4	59	5	6.5	E	
AMI-AF9-BAQ500PL09	220	50	1.85	450	1380	10	65	5	9.0	F	
AMI-AF9-BAR500PL10	380	50	1.15	450	1380	/	65	5	9.0	G	
AMI-AF9-BAQ500PL08	220	50	0.90	190	920	10	63	5	8.5	H	*53



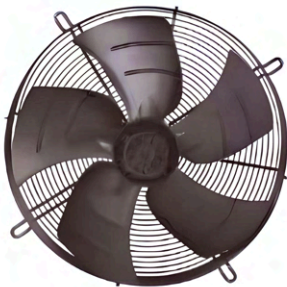
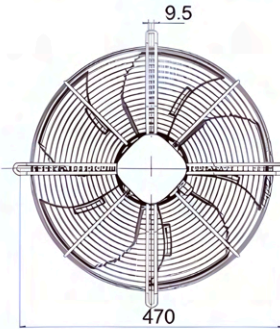
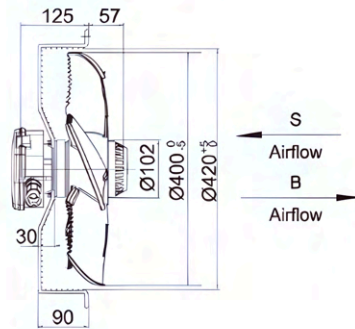
Grid Fan



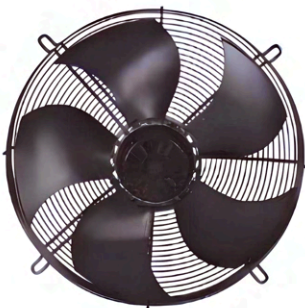
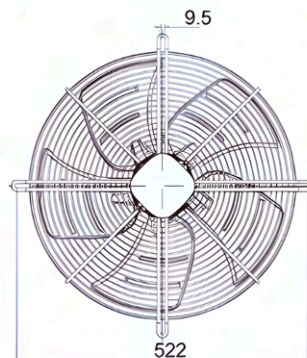
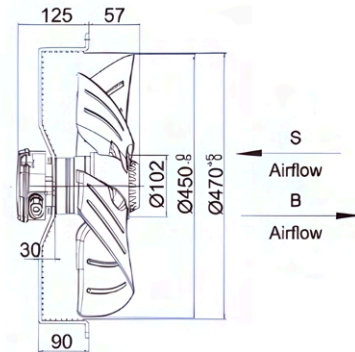
Grid Fan



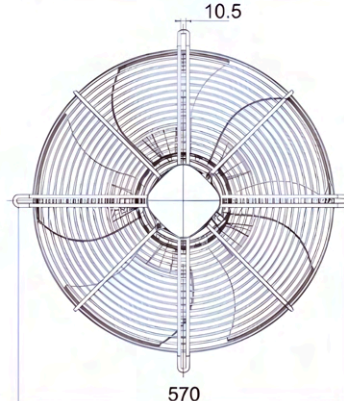
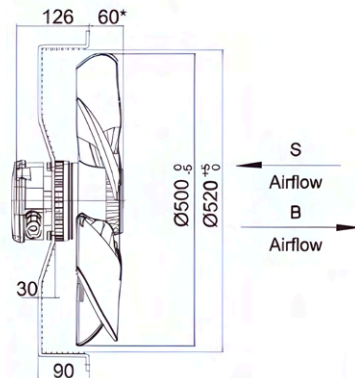
Grid Fan



Grid Fan



Grid Fan



AC FORWARD CENTRIFUGAL BLOWER

AC Centrifugal Blower

AMI-FS1-BD175ST Series

Ø120x98mm

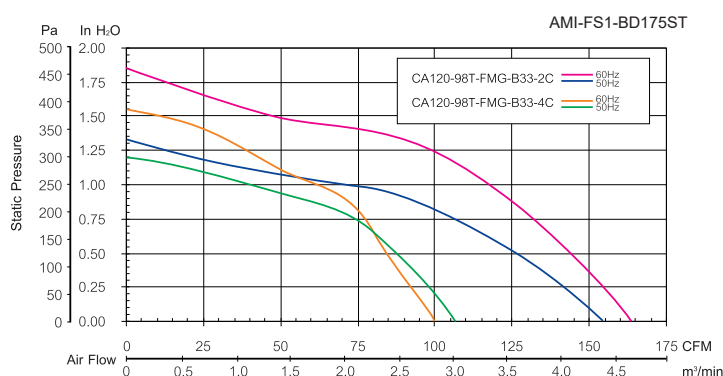


Specifications	
Air Flow	100 ~ 165CFM
Impeller	Die-cast Aluminum Housing Galvanised Sheet Steel Impeller
Motor	Capacitor-Run Induction and External Rotor Motor
Rotor	Black Paint
Bearing	Dual Ball Bearing, Permanently Lubricated
Operating Voltage Range	85VAC to 125VAC for 115V Type 185VAC to 245 VAC for 230V Type
Lead Wire	AWG# 20 UL
Insulation	Class "B" or "F"
Safety	Thermally Protected (Auto Restart)
Operating Temperature	-20°C to +60°C
Weight	1910g

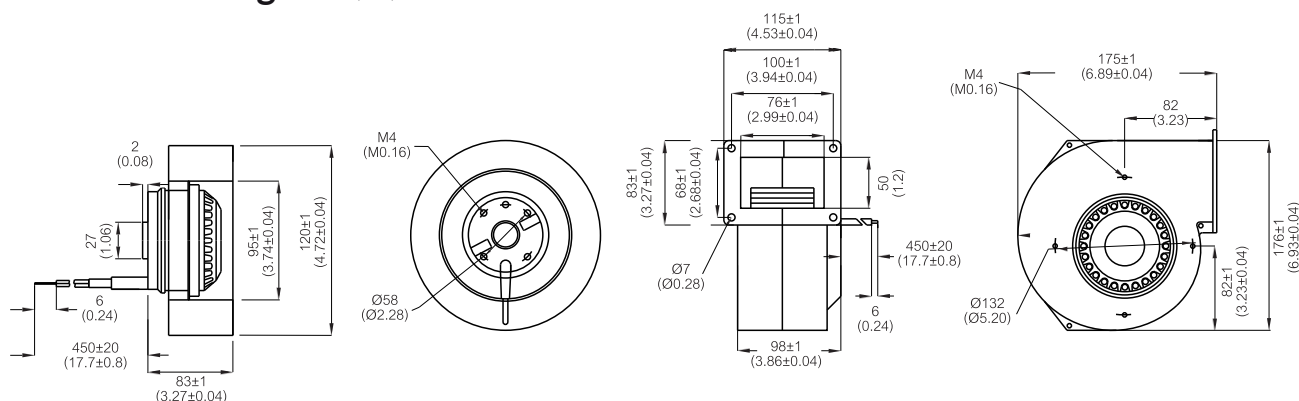
Item Code	Rated Voltage	Frequency (Hz)	Rated Current(A)	Input Power(W)	Speed (RPM)	Air Flow (CFM)	Air Flow (m³/min)	Static Pressure (inch-H ₂ O)	Noise dB(A)	Capacitor (µF)
AMI-FS1-BD175ST00	115V	50/60	0.72/0.80	78/94	2300/2450	155/165	4.39/4.67	1.34/1.86	60/61	7µF 200VAC
AMI-FS1-BL175ST00	230V	50/60	0.35/0.41	78/94	2300/2450	155/165	4.39/4.67	1.34/1.86	60/61	2µF 400VAC
AMI-FS1-BD175ST01	115V	50/60	0.34/0.40	39/44	1650/1600	105/100	2.97/2.83	1.14/1.46	53/52	5µF 200VAC
AMI-FS1-BL175ST01	230V	50/60	0.17/0.20	39/44	1650/1600	105/100	2.97/2.83	1.14/1.46	53/52	1µF 400VAC

Characteristic Curves:

Approvals:



Outline Drawing: Unit:mm(inch)



AC Centrifugal Blower

AMI-FS1-BD226ST Series

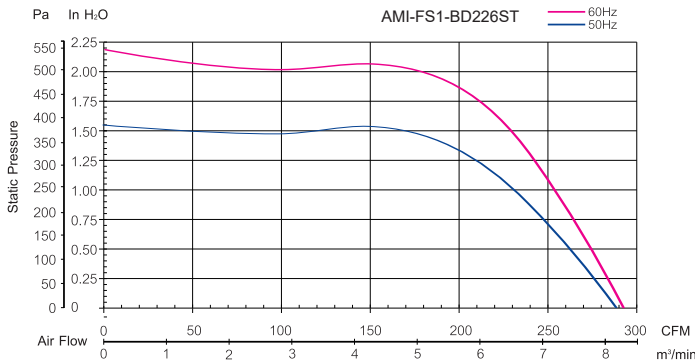
Ø140x100mm



Specifications	
Air Flow	290~ 295 CFM
Impeller	Die-cast Aluminum Housing Galvanised Sheet Steel Impeller
Motor	Capacitor-Run Induction and External Rotor Motor
Rotor	Black Paint
Bearing	Dual Ball Bearing, Permanently Lubricated
Operating Voltage Range	85VAC to 125VAC for 115V Type 185VAC to 245 VAC for 230V Type
Lead Wire	AWG# 20 UL
Insulation	Class "B" or "F"
Safety	Thermally Protected (Auto Restart)
Operating Temperature	1V→ -20°C to +60°C; 2V→ -20°C to +40°C
Weight	3350g

Item Code	Rated Voltage	Frequency (Hz)	Rated Current(A)	Input Power(W)	Speed (RPM)	Air Flow (CFM)	Air Flow (m³/min)	Static Pressure (inch-H ₂ O)	Noise dB(A)	Capacitor (μF)
AMI-FS1-BD226ST00	115V	50/60	1.35/1.78	155/200	2400/2450	290/295	8.21/8.35	1.60/2.25	70/70	16μF 200VAC
AMI-FS1-BL226ST00	230V	50/60	0.67/0.89	155/200	2400/2450	290/295	8.21/8.35	1.60/2.25	70/70	4μF 400VAC

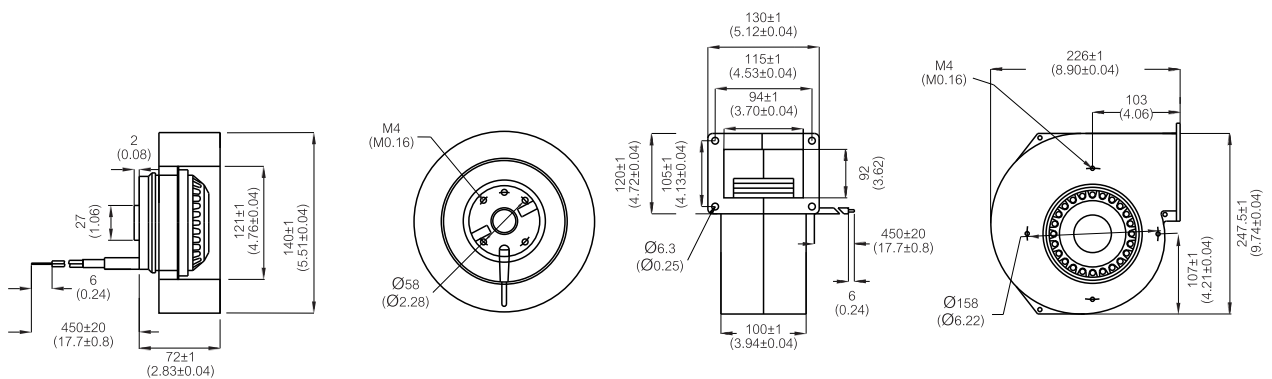
Characteristic Curves:



Approvals:



Outline Drawing: Unit:mm(inch)



AC Centrifugal Blower

AMI-FS1-BD226ST Series

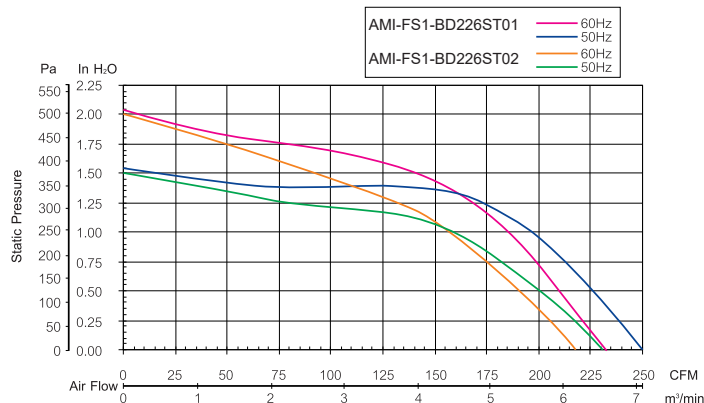
Ø140x100mm



Specifications	
Air Flow	215~ 250 CFM
Impeller	Die-cast Aluminum Housing Galvanised Sheet Steel Impeller
Motor	Capacitor-Run Induction and External Rotor Motor
Rotor	Black Paint
Bearing	Dual Ball Bearing, Permanently Lubricated
Operating Voltage Range	85VAC to 125VAC for 115V Type 185VAC to 245 VAC for 230V Type
Lead Wire	AWG# 20 UL
Insulation	Class "B" or "F"
Safety	Thermally Protected (Auto Restart)
Operating Temperature	2C→ -20°C to +50°C; 3C→ -20°C to +60°C
Weight	2C→3000g; 3C→2580g

Item Code	Rated Voltage	Frequency (Hz)	Rated Current(A)	Input Power(W)	Speed (RPM)	Air Flow (CFM)	Air Flow (m³/min)	Static Pressure (inch-H ₂ O)	Noise dB(A)	μ
AMI-FS1-BD226ST01	115V	50/60	1.06/1.23	124/144	1800/1650	250/230	7.08/6.51	1.58/2.08	64/62	12μF 200VAC
AMI-FS1-BL226ST01	230V	50/60	0.54/0.63	124/144	1800/1650	250/230	7.08/6.51	1.58/2.08	64/62	3μF 400VAC
AMI-FS1-BD226ST02	115V	50/60	0.88/0.99	101/113	1500/1400	230/215	6.51/6.09	1.51/2.03	60/58	10μF 200VAC
AMI-FS1-BL226ST02	230V	50/60	0.44/0.50	101/113	1500/1400	230/215	6.51/6.09	1.51/2.03	60/58	2.5μF 400VAC

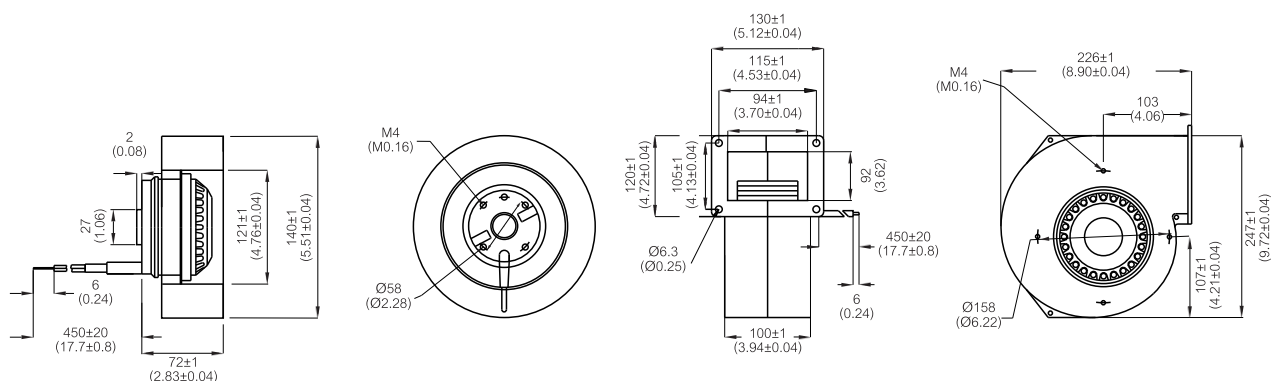
Characteristic Curves:



Approvals:



Outline Drawing: Unit:mm(inch)



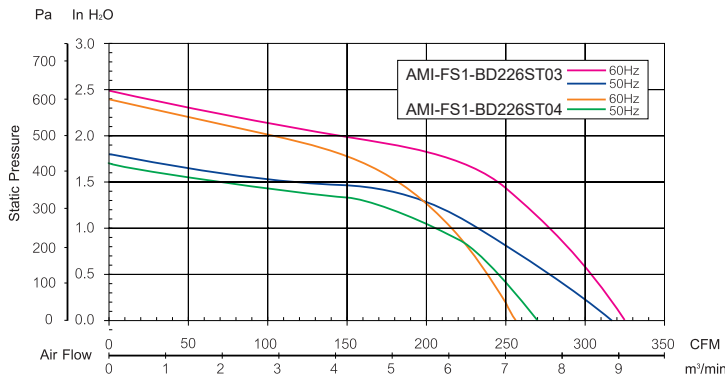
AC Centrifugal Blower
AMI-FS1-BD226ST Series
Ø146x100mm



Specifications	
Air Flow	255 ~ 325CFM
Impeller	Die-cast Aluminum Housing Galvanised Sheet Steel Impeller
Motor	Capacitor-Run Induction and External Rotor Motor
Rotor	Black Paint
Bearing	Dual Ball Bearing, Permanently Lubricated
Operating Voltage Range	85VAC to 125VAC for 115V Type 185VAC to 245 VAC for 230V Type
Lead Wire	AWG# 20 UL
Insulation	Class "B" or "F"
Safety	Thermally Protected (Auto Restart)
Operating Temperature	2C→ -20°C to +40°C; 3C→ -20°C to +60°C
Weight	2800g

Item Code	Rated Voltage	Frequency (Hz)	Rated Current(A)	Input Power(W)	Speed (RPM)	Air Flow (CFM)	Air Flow (m³/min)	Static Pressure (inch-H ₂ O)	Noise dB(A)	Capacitor (µF)
AMI-FS1-BD226ST03	115V	50/60	1.84/2.13	210/240	1900/2000	315/325	8.92/9.2	1.77/2.52	67/67	20µF 200VAC
AMI-FS1-BL226ST03	230V	50/60	0.93/1.06	210/240	1900/2000	315/325	8.92/9.2	1.77/2.52	67/67	5µF 400VAC
AMI-FS1-BD226ST04	115V	50/60	1.20/1.34	135/155	1650/1600	270/255	7.6/7.2	1.73/2.42	63/62	12µF 200VAC
AMI-FS1-BL226ST04	230V	50/60	0.60/0.66	135/155	1650/1600	270/255	7.6/7.2	1.73/2.42	63/62	3µF 400VAC

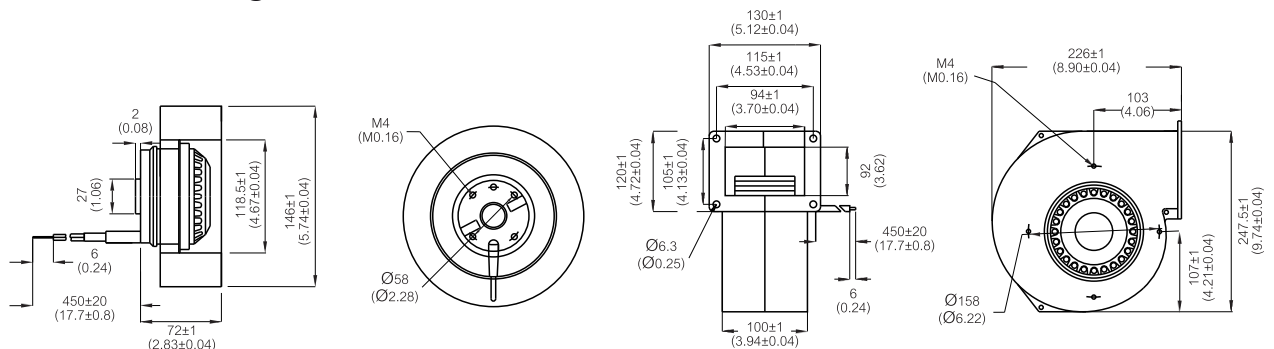
Characteristic Curves:



Approvals:



Outline Drawing: Unit:mm(inch)



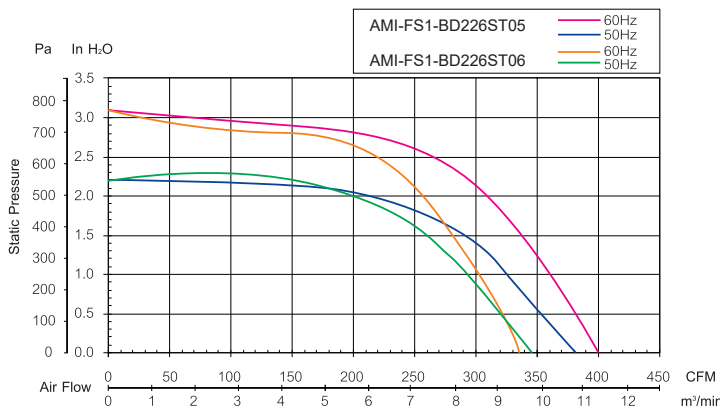
AC Centrifugal Blower
AMI-FS1-BD226ST Series
Ø160x100mm



Specifications	
Air Flow	335~ 405 CFM
Impeller	Die-cast Aluminum Housing Galvanised Sheet Steel Impeller
Motor	Capacitor-Run Induction and External Rotor Motor
Rotor	Black Paint
Bearing	Dual Ball Bearing, Permanently Lubricated
Operating Voltage Range	85VAC to 125VAC for 115V Type 185VAC to 245 VAC for 230V Type
Lead Wire	AWG# 20 UL
Insulation	Class "B" or "F"
Safety	Thermally Protected (Auto Restart)
Operating Temperature	-20°C to +40°C
Weight	3700g

Item Code	Rated Voltage	Frequency (Hz)	Rated Current(A)	Input Power(W)	Speed (RPM)	Air Flow (CFM)	Air Flow (m³/min)	Static Pressure (inch-H ₂ O)	Noise dB(A)	Capacitor (µF)
AMI-FS1-BD226ST05	115V	50/60	2.68/3.38	295/385	2350/2450	385/405	10.9/11.47	2.21/3.12	76/77	32µF 200VAC
AMI-FS1-BL226ST05	230V	50/60	1.33/1.69	295/385	2350/2450	385/405	10.9/11.47	2.21/3.12	76/77	8µF 400VAC
AMI-FS1-BD226ST06	115V	50/60	2.07/2.48	235/280	2100/2050	345/335	9.77/9.49	2.21/3.10	73/73	24µF 200VAC
AMI-FS1-BL226ST06	230V	50/60	1.02/1.23	235/280	2100/2050	345/335	9.77/9.49	2.21/3.10	73/73	6µF 400VAC

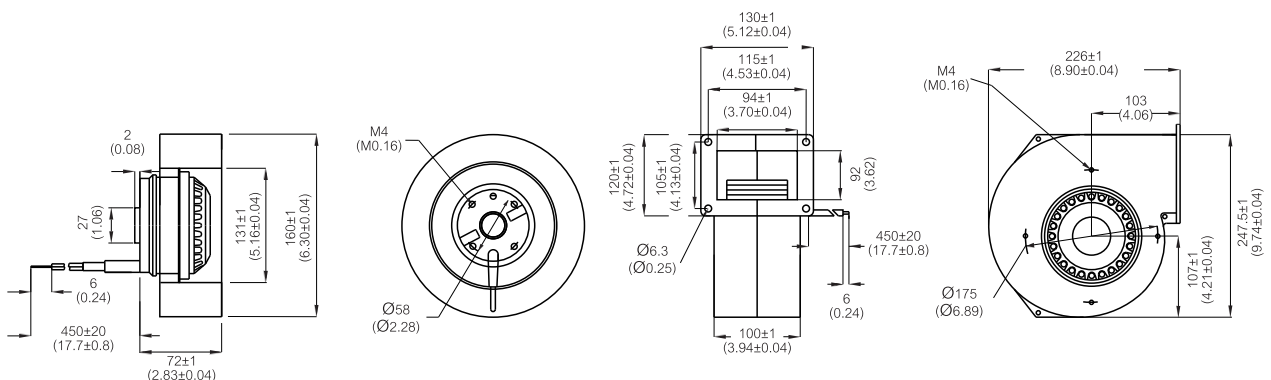
Characteristic Curves:



Approvals:



Outline Drawing: Unit:mm(inch)



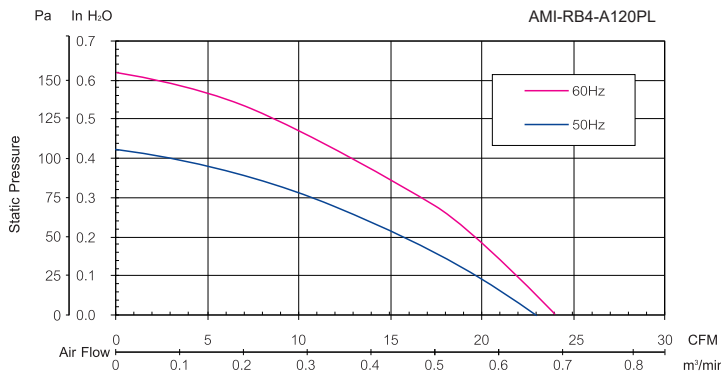
AC Blower
AMI-RB4-A120PL Series
121x121x37mm



Specifications	
Air Flow	22~ 23 CFM
Housing	Spiral Housing of Fiberglass-Reinforced Polycarbonate
	Housing Base of Galvanized Steel Plate
Impeller	Thermoplastic PBT, UL94V-0
Bearing	Ball or Sleeve
Termination	Lead Wire
Operating Voltage Range	85VAC to 125VAC for 115V Type
	185VAC to 245 VAC for 230V Type
Insulation	Class "B" or "F"
Safety	Impedance Protected
Operating Temperature	-10°C to + 70°C for Sleeve Type
	-20°C to + 80°C for Ball Type
Weight	625g

Item Code	Bearing Availability	Rated Voltage	Frequency (Hz)	Rated Current(A)	Input Power(W)	Speed (RPM)	Air Flow (CFM)	Air Flow (m³/min)	Static Pressure (inch-H ₂ O)	Noise dB(A)
AMI-RB4-AD120PL	B,S	115V	50/60	0.27/0.24	21/19	2500/2500	22/23	0.62/0.65	0.42/0.62	53/54
AMI-RB4-AL120PL	B,S	230V	50/60	0.14/0.12	21/20	2500/2500	22/23	0.62/0.65	0.42/0.62	53/54

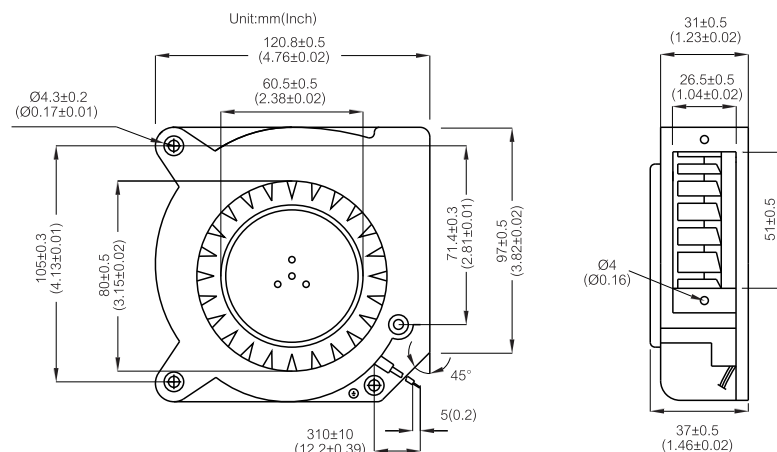
Characteristic Curves:



Approvals:



Outline Drawing: Unit:mm(inch)



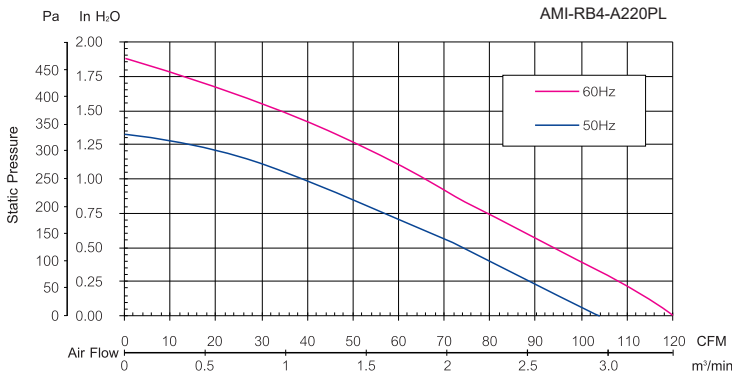
AC Blower
AMI-RB4-A220PL Series
220x220x56mm



Specifications	
Air Flow	102~ 119 CFM
Housing	Spiral Housing of Fiberglass-Reinforced Polycarbonate
	Housing Base of Galvanized Steel Plate
Impeller	Thermoplastic PBT, UL94V-0
Bearing	Ball
Termination	Lead Wire
Operating Voltage Range	85VAC to 125VAC for 115V Type
	185VAC to 245 VAC for 230V Type
Insulation	Class "B" or "F"
Safety	Thermally Protected (Auto Restart)
Operating Temperature	-20°C to + 80°C for Ball Type
Weight	1750g

Item Code	Bearing Availability	Rated Voltage	Frequency (Hz)	Rated Current(A)	Input Power(W)	Speed (RPM)	Air Flow (CFM)	Air Flow (m³/min)	Static Pressure (inch-H ₂ O)	Noise dB(A)
AMI-RB4-AD220PL	B	115V	50/60	0.33/0.41	37/45	2900/3350	102/119	2.89/3.37	1.34/1.88	64/66
AMI-RB4-AL220PL	B	230V	50/60	0.16/0.20	37/45	3300/3350	102/119	2.89/3.37	1.34/1.88	64/66

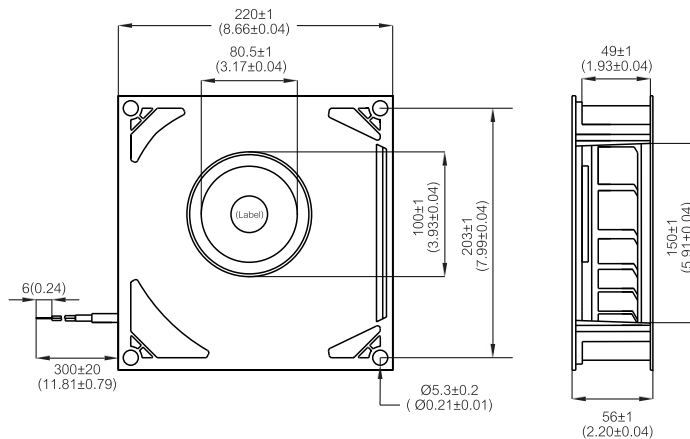
Characteristic Curves:



Approvals:



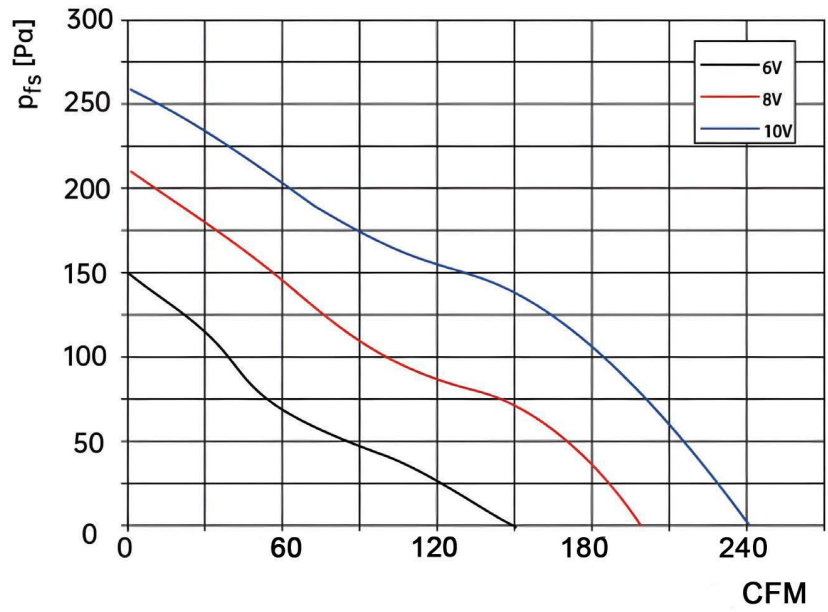
Outline Drawing: Unit:mm(inch)



DC CENTRIFUGAL FANS

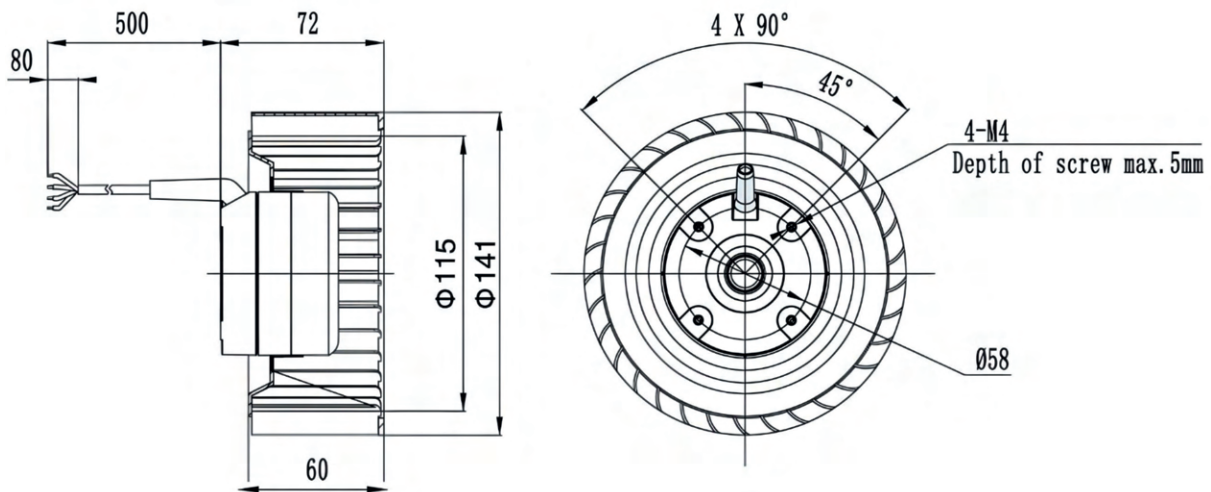
DC CENTRIFUGAL FANS

Φ140 Forward Centrifugal Fans



- Mode of operation: S1
- Control mode: 0-10V/PWM
- Insulation: F
- Type of protection: IP42
- Perm. amb. temp.: -25~ +60 °C
- Impeller material: Plastic

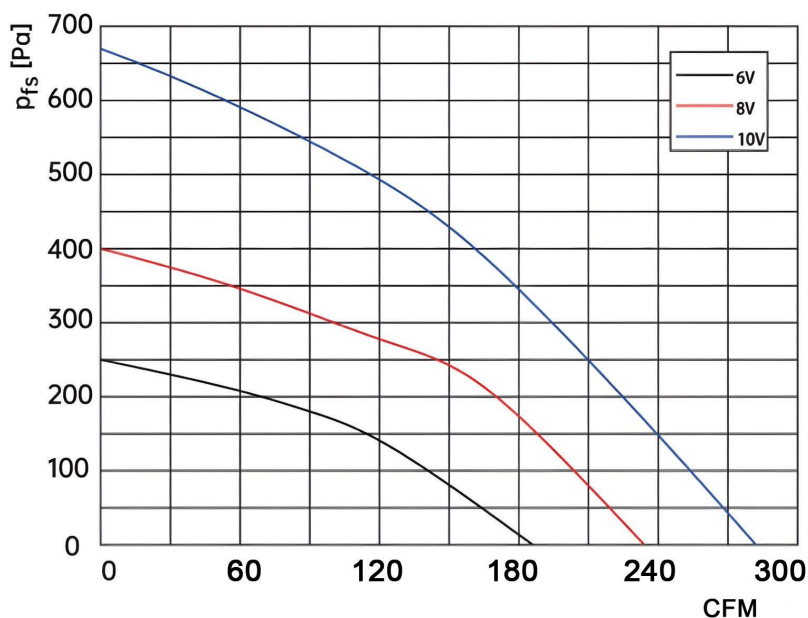
Type	Rated Voltage	Operating Voltage	Current	Power In	Rotating Speed	Noise
	V	V	A	W	RPM	dB(A)
AMI-FS5-FAE141PL00	48	36~61	1.3	54	1750	63
AMI-FS5-FAF141PL00	24	16~28	2.5	54	1750	63



Wiring Table			
Red	Blue	Yellow	White
VDC	GND	0-10VDC/PWM	FG

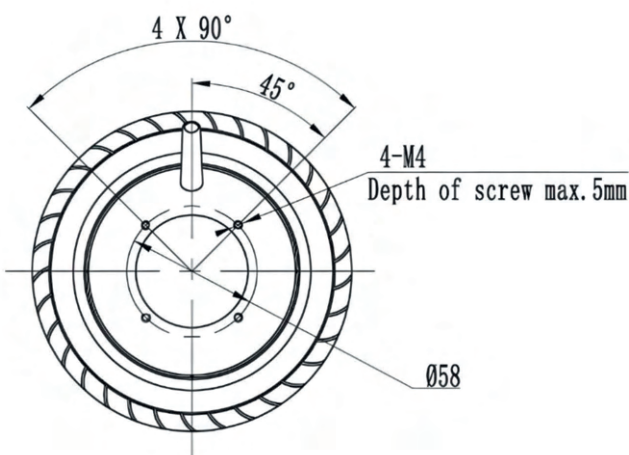
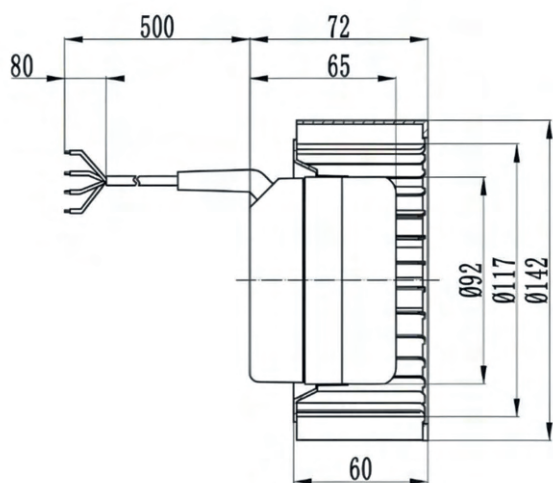
DC CENTRIFUGAL FANS

Φ140 Forward Centrifugal Fans



- Mode of operation: S1
- Control mode: 0-10V/PWM
- Insulation: F
- Type of protection: IP42
- Perm. amb. temp.: -25~ +60 °C
- Impeller material: Plastic

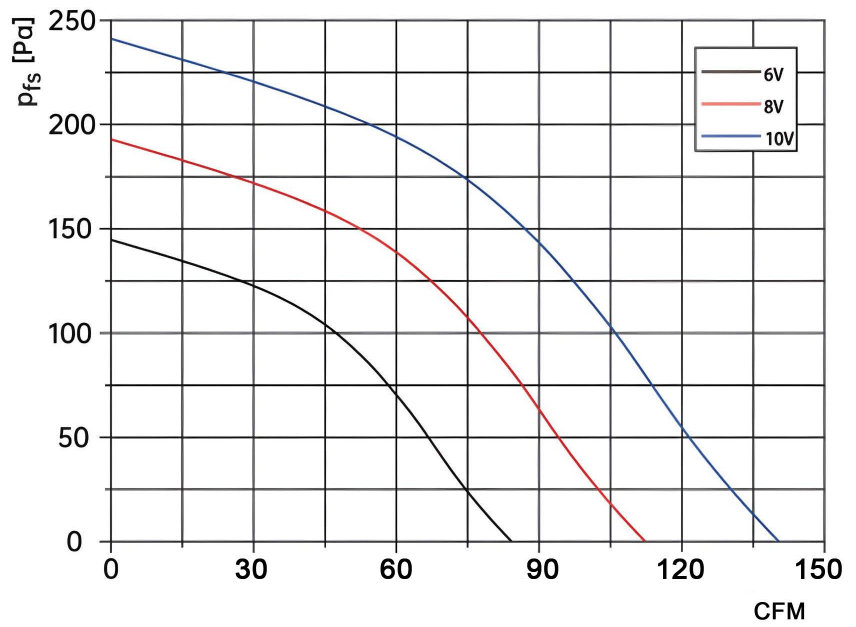
Type	Rated Voltage	Operating Voltage	Current	Power In	Rotating Speed	Noise
	V	V	A	W	RPM	dB(A)
AMI-FS5-FAE142PL00	48	36~61	2.6	100	2200	68
AMI-FS5-FAF142PL00	24	16~28	5.0	100	2200	68



Wiring Table			
Red	Blue	Yellow	White
VDC	GND	0-10VDC/PWM	FG

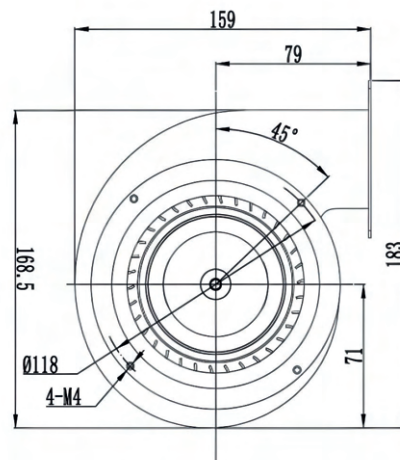
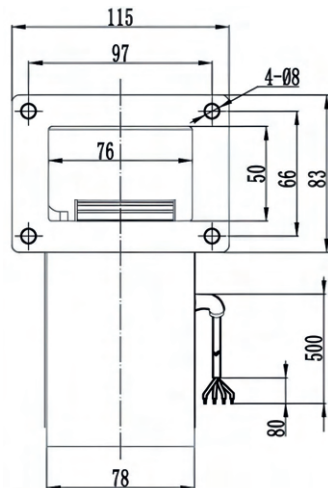
DC CENTRIFUGAL FANS

Φ108 Forward Centrifugal Fans



- Mode of operation: S1
- Control mode: 0-10V/PWM
- Insulation: F
- Type of protection: IP42
- Perm. amb. temp.: -25~+60°C
- Impeller material: Steel

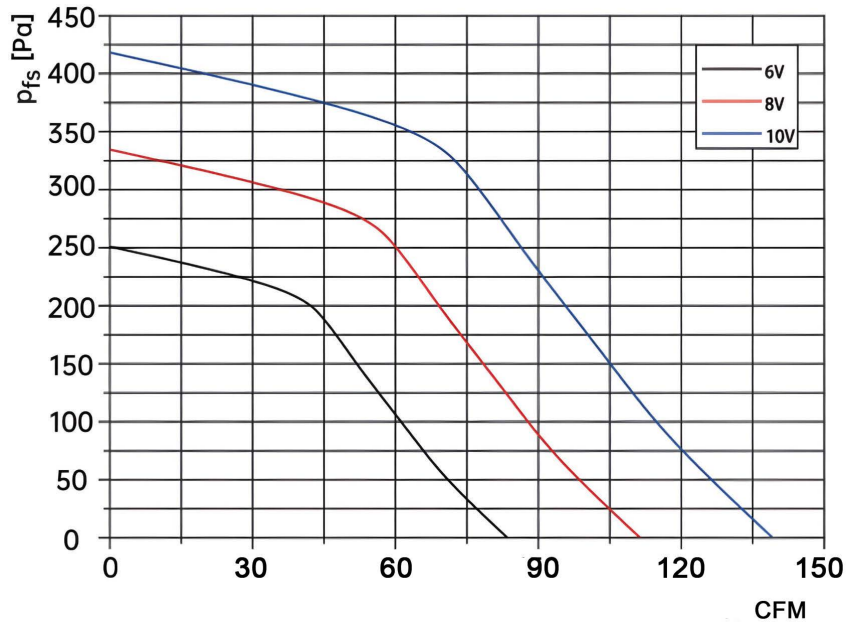
Type	Rated Voltage	Operating Voltage	Current	Power In	Rotating Speed	Noise
	V	V	A	W	RPM	dB(A)
AMI-FS5-FAE183ST00	48	36~61	1.1	52	3000	65
AMI-FS5-FAF183ST00	24	16~28	2.2	52	3000	65



Wiring Table			
Red	Blue	Yellow	White
VDC	GND	0-10VDC/PWM	FG

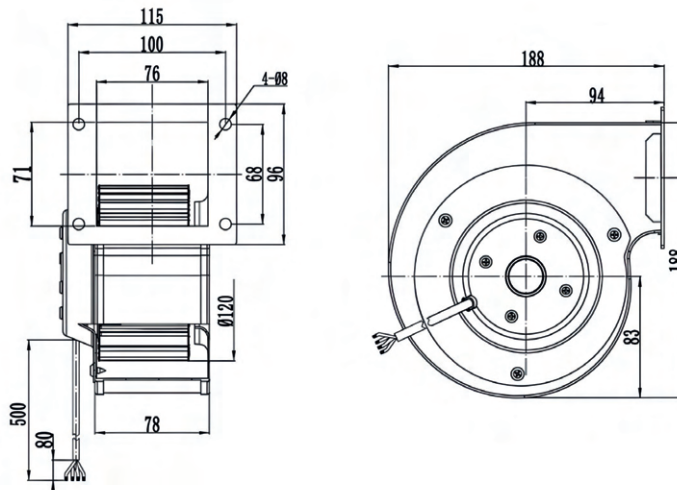
DC CENTRIFUGAL FANS

Φ120 Forward Centrifugal Fans



- Mode of operation: S1
- Control mode: 0-10V/PWM
- Insulation: F
- Type of protection: IP42
- Perm. amb. temp.: -25~+60°C
- Impeller material: Steel

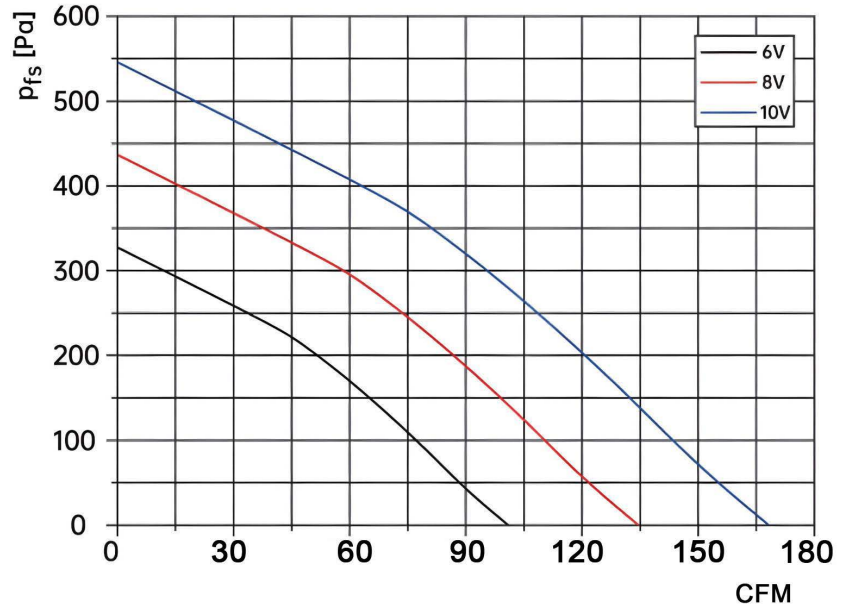
Type	Rated Voltage	Operating Voltage	Current	Power In	Rotating Speed	Noise
	V	V	A	W	RPM	dB(A)
AMI-F55-FAE188ST00	48	36~61	0.73	35	2600	58
AMI-F55-FAF188ST00	24	16~28	1.46	35	2600	58



Wiring Table			
Red	Blue	Yellow	White
VDC	GND	0-10VDC/PWM	FG

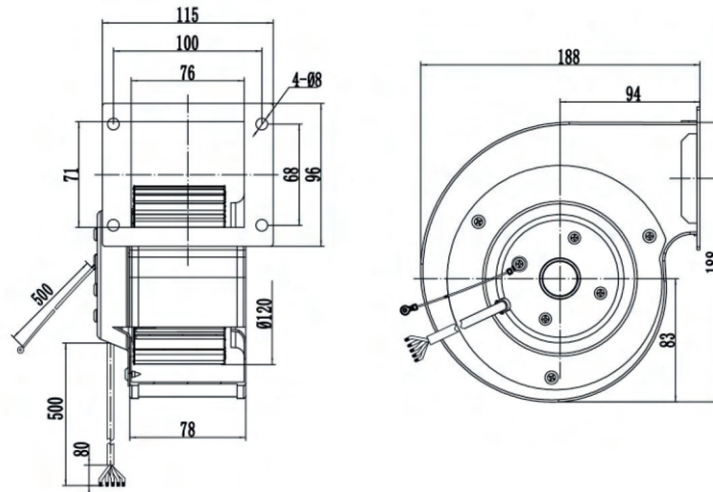
DC CENTRIFUGAL FANS

Φ120 Forward Centrifugal Fans



- Mode of operation: S1
- Control mode: 0-10V/PWM
- Insulation: F
- Type of protection: IP42
- Perm. amb. temp.: -25~+60°C
- Impeller material: Steel

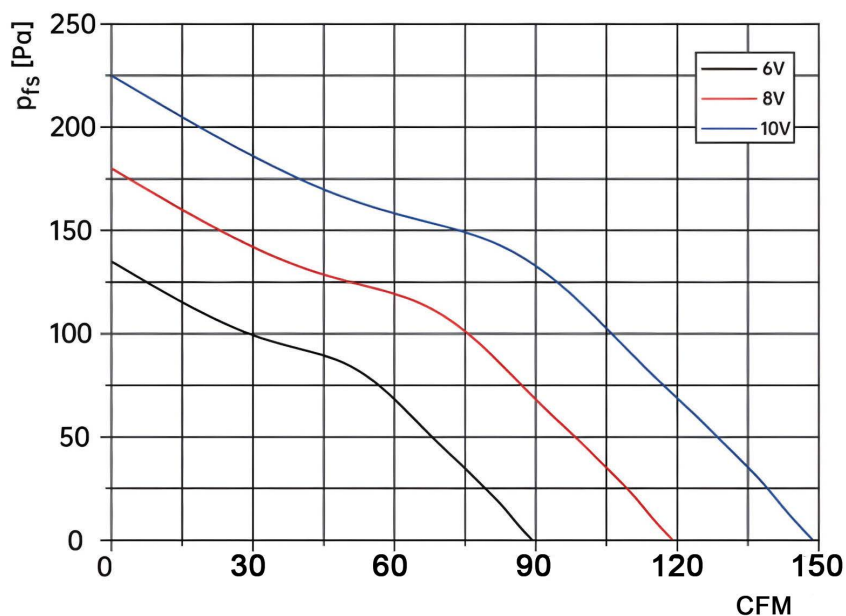
Type	Rated Voltage	Operating Voltage	Current	Power In	Rotating Speed	Noise
	V	V	A	W	RPM	dB(A)
AMI-FS5-FAI188ST00	310	280~340	0.12	38	2800	62



Wiring Table				
Red	Black	Blue	Yellow	White
DC310V	GND	FG(12Pulse/R)	0-10VDC/PWM	+15VDCInput

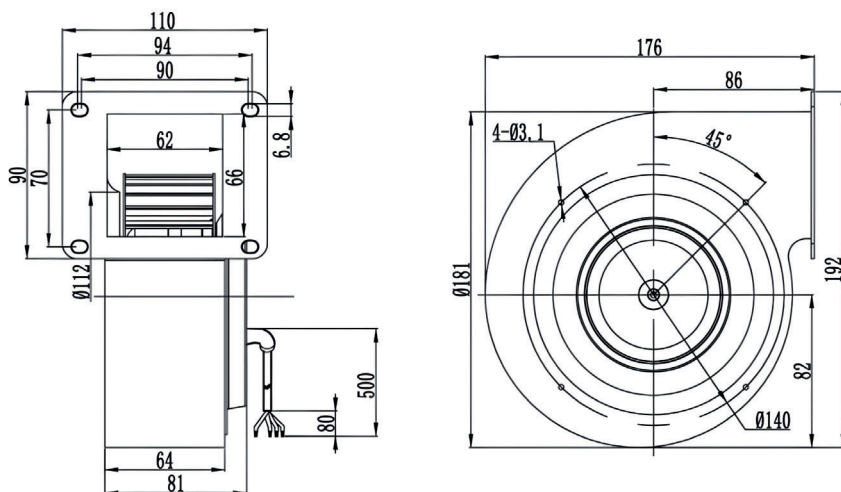
DC CENTRIFUGAL FANS

Φ133 Forward Centrifugal Fans



- Mode of operation: S1
- Control mode: 0-10V/PWM
- Insulation: F
- Type of protection: IP42
- Perm. amb. temp.: -25- +60°C
- Impeller material: Steel

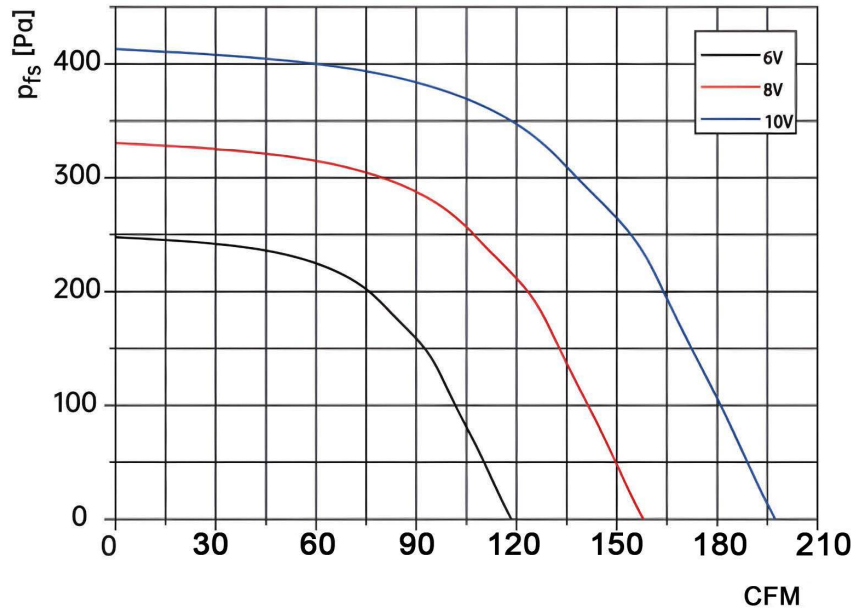
Type	Rated Voltage	Operating Voltage	Current	Power In	Rotating Speed	Noise
	V	V	A	W	RPM	dB(A)
AMI-FS5-FAE192ST00	48	36~61	1.1	50	2000	64
AMI-FS5-FAF192ST00	24	16~28	2.2	50	2000	64



Wiring Table			
Red	Blue	Yellow	White
VDC	GND	0-10VDC/PWM	FG

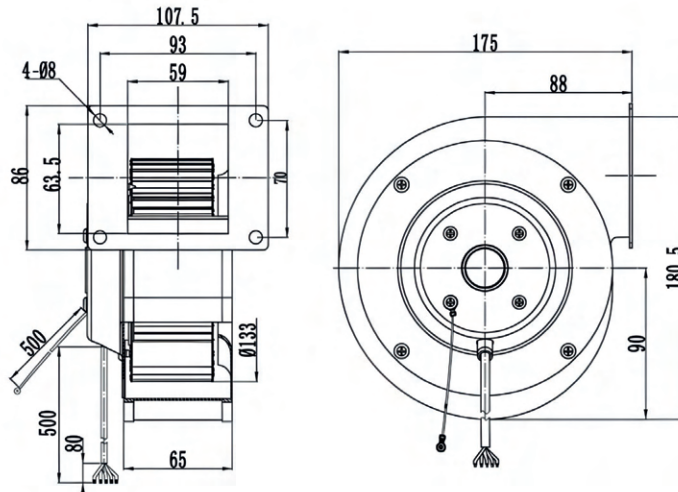
DC CENTRIFUGAL FANS

Φ133 Forward Centrifugal Fans



- Mode of operation: S1
- Control mode: 0-10V/PWM
- Insulation: F
- Type of protection: IP42
- Perm. amb. temp.: -25- +60°C
- Impeller material: Plastic

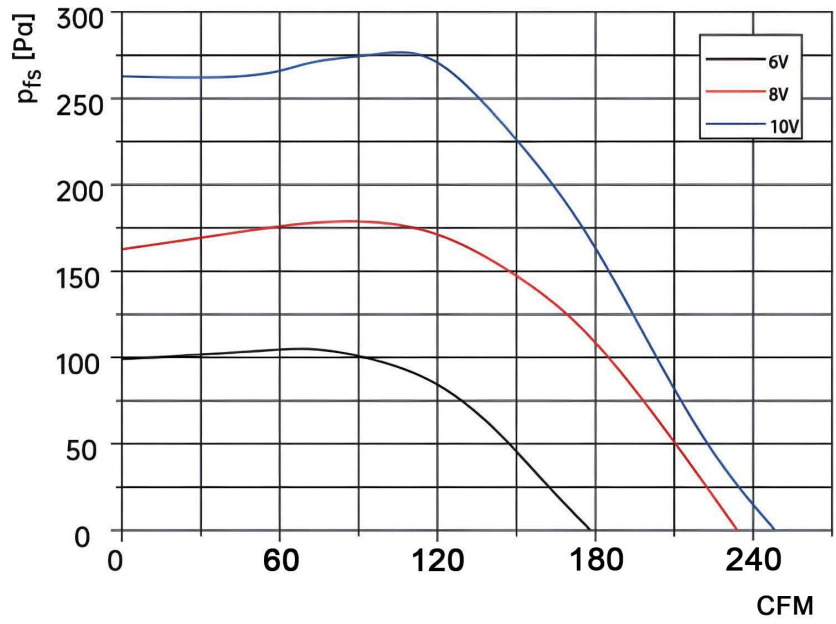
Type	Rated Voltage	Operating Voltage	Current	Power In	Rotating Speed	Noise
	V	V	A	W	RPM	dB(A)
AMI-FS5-FAI180PL00	310	280~340	0.31	95	2700	70



Wiring Table				
Red	Black	Blue	Yellow	White
DC310V	GND	FG(12Pulse/R)	0-10VDC/PWM	+15VDCInput

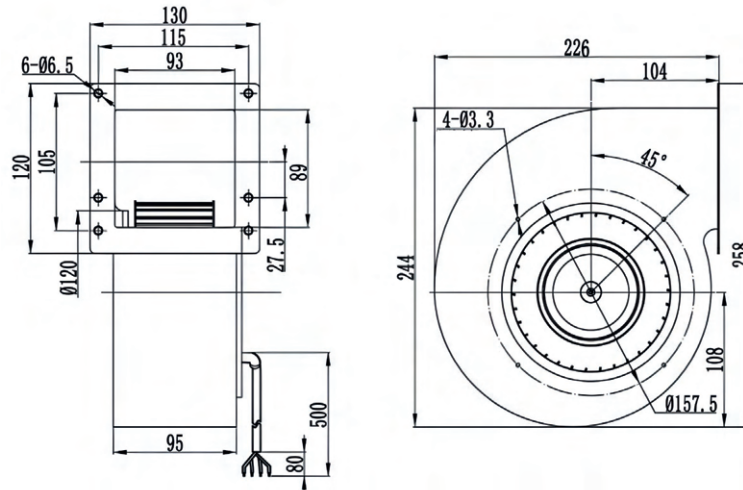
DC CENTRIFUGAL FANS

Φ140 Forward Centrifugal Fans



- Mode of operation: S1
- Control mode: 0-10V/PWM
- Insulation: F
- Type of protection: IP42
- Perm. amb. temp.: -25- +60°C
- Impeller material: Steel

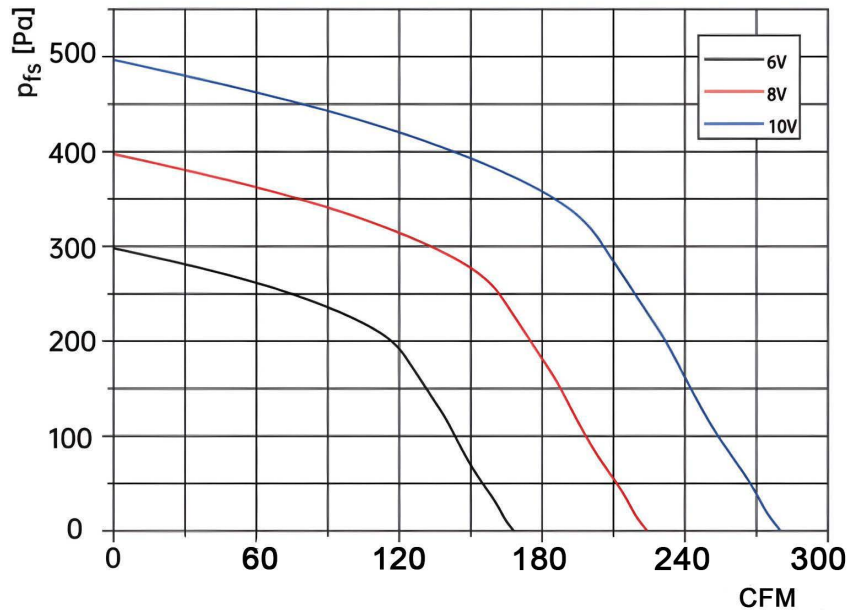
Type	Rated Voltage	Operating Voltage	Current	Power In	Rotating Speed	Noise
	V	V	A	W	RPM	dB(A)
AMI-FS5-FAE258ST00	48	36~61	1.0	47	2200	61
AMI-FS5-FAF258ST00	24	16~28	2.0	47	2200	61



Wiring Table			
Red	Blue	Yellow	White
VDC	GND	0-10VDC/PWM	FG

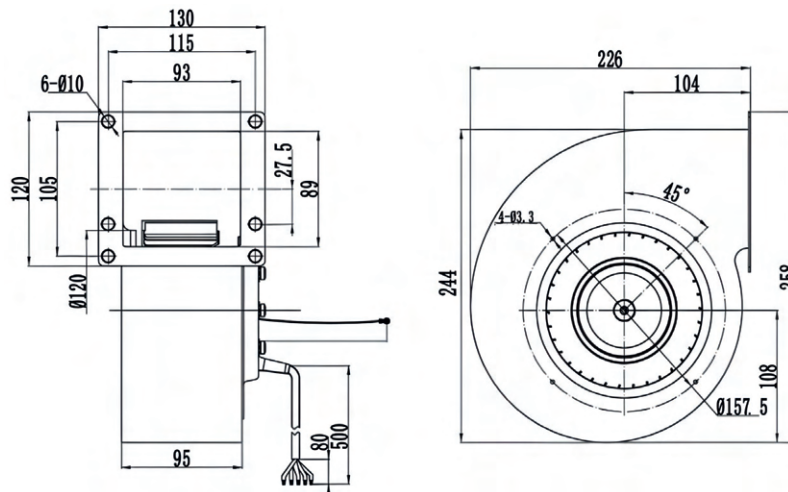
DC CENTRIFUGAL FANS

Φ140 Forward Centrifugal Fans



- Mode of operation: S1
- Control mode: 0-10V/PWM
- Insulation: F
- Type of protection: IP42
- Perm. amb. temp.: -25- +60°C
- Impeller material: Plastic

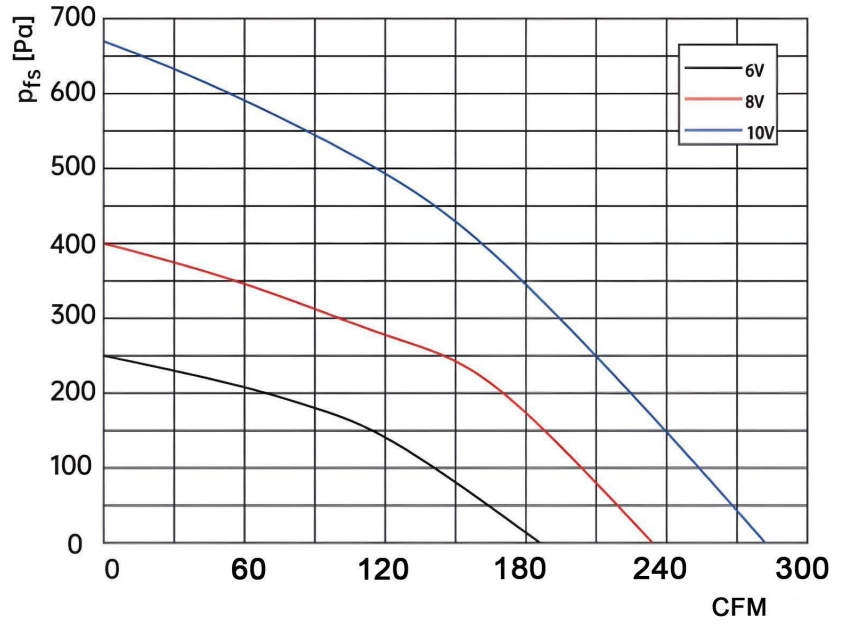
Type	Rated Voltage	Operating Voltage	Current	Power In	Rotating Speed	Noise
	V	V	A	W	RPM	dB(A)
AMI-FS5-FAI258PL00	310	280~340	0.26	80	2000	68



Wiring Table				
Red	Black	Blue	Yellow	White
DC310V	GND	FG(12Pulse/R)	0-10VDC/PWM	+15VDCInput

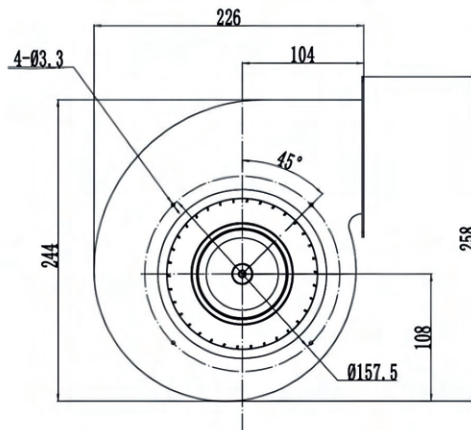
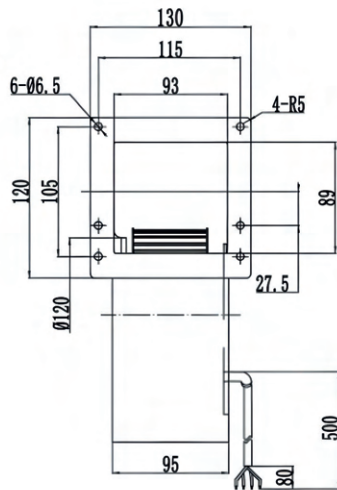
DC CENTRIFUGAL FANS

Φ140 Forward Centrifugal Fans



- Mode of operation: S1
- Control mode: 0-10V/PWM
- Insulation: F
- Type of protection: IP42
- Perm. amb. temp.: -25- +60°C
- Impeller material: Steel

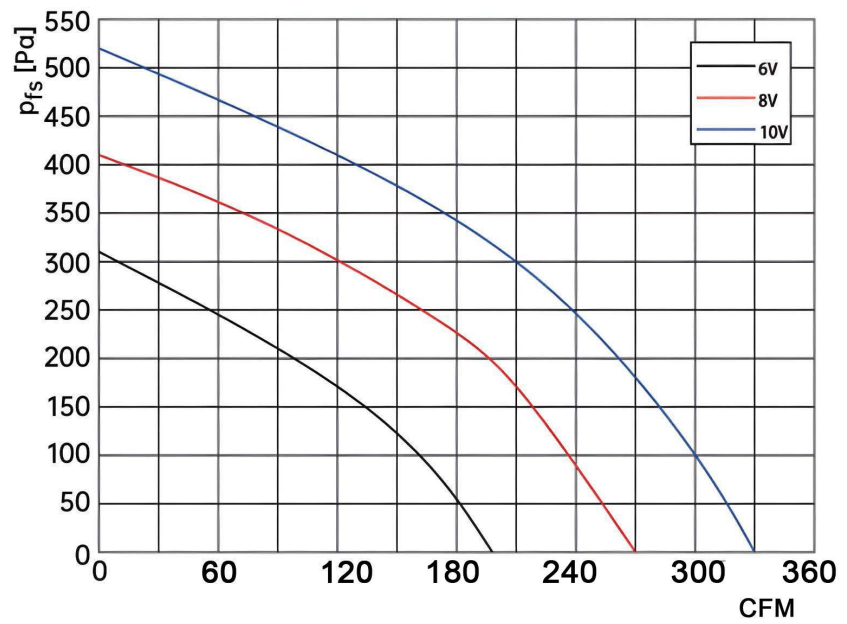
Type	Rated Voltage	Operating Voltage	Current	Power In	Rotating Speed	Noise
	V	V	A	W	RPM	dB(A)
AMI-FS5-FAE258ST01	24	16~28	4.5	100	2200	68
AMI-FS5-FAF258ST01	48	36~61	2.25	100	2200	68



Wiring Table			
Red	Blue	Yellow	White
VDC	GND	0-10VDC/PWM	FG

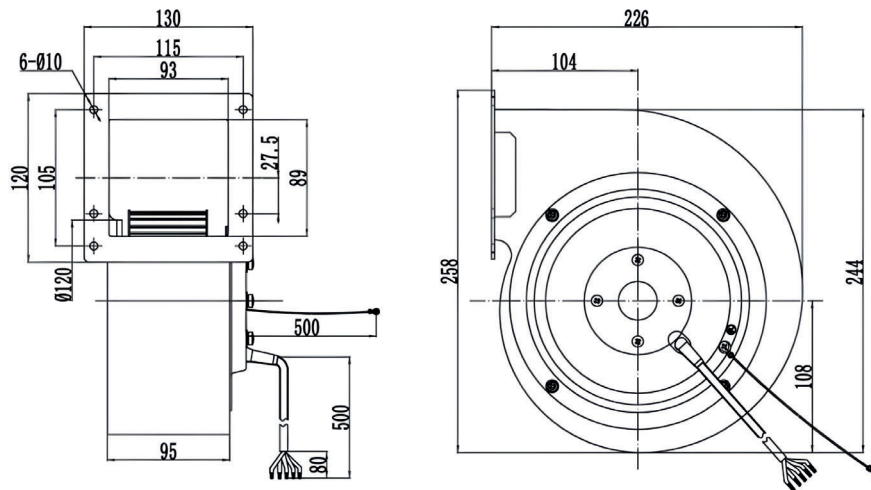
DC CENTRIFUGAL FANS

Φ140 Forward Centrifugal Fans



- Mode of operation: S1
- Control mode: 0-10V/PWM
- Insulation: F
- Type of protection: IP42
- Perm. amb. temp.: -25- +60°C
- Impeller material: Steel

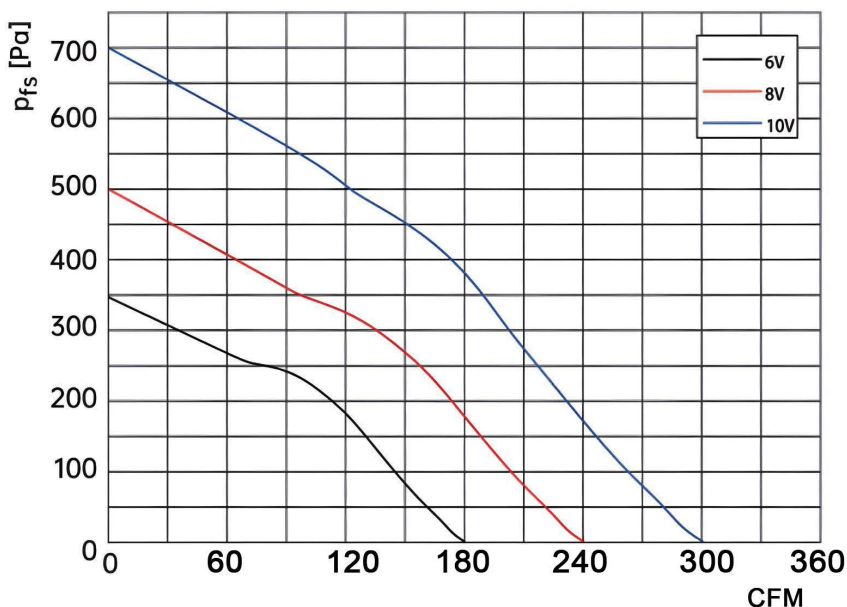
Type	Rated Voltage	Operating Voltage	Current	Power In	Rotating Speed	Noise
	V	V	A	W	RPM	dB(A)
AMI-FS5-FAI244PL00	310	280~340	0.26	75	2200	68



Wiring Table			
Red	Blue	Yellow	White
VDC	GND	0-10VDC/PWM	FG

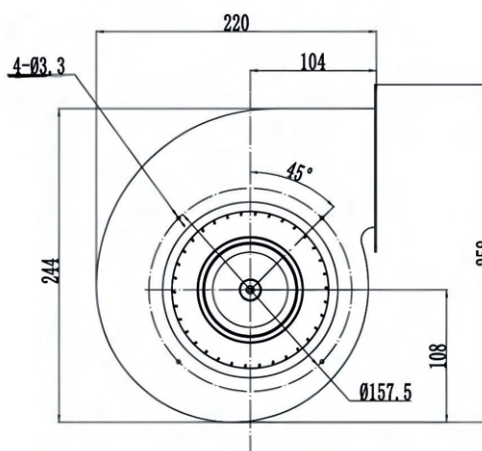
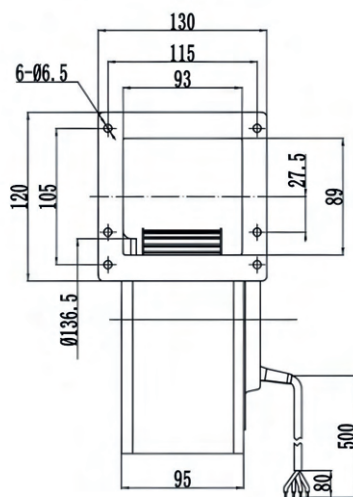
DC CENTRIFUGAL FANS

Φ160 Forward Centrifugal Fans



- Mode of operation: S1
- Control mode: 0-10V/PWM
- Insulation: F
- Type of protection: IP42
- Perm. amb. temp.: -25- +60°C
- Impeller material: Steel

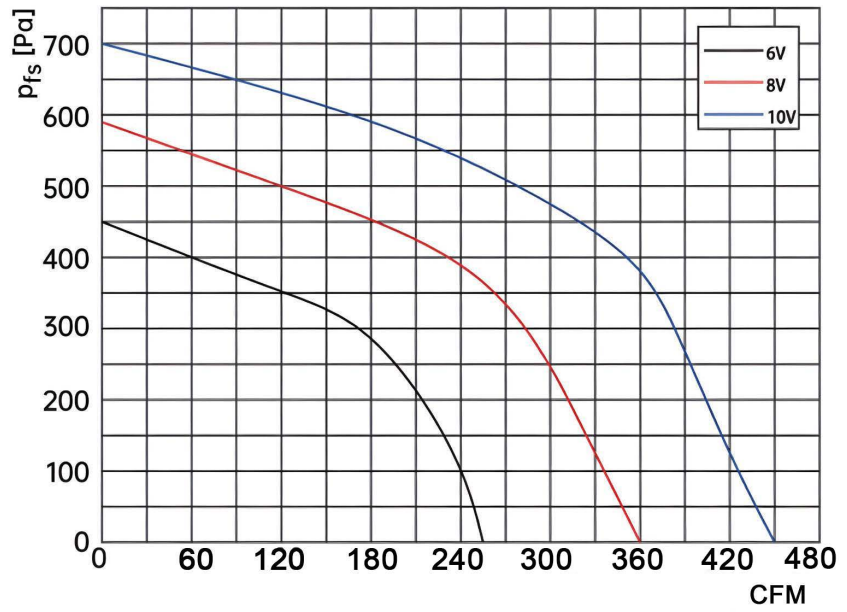
Type	Rated Voltage	Operating Voltage	Current	Power In	Rotating Speed	Noise
	V	V	A	W	RPM	dB(A)
AMI-FS5-FAF258ST02	24	16~28	4.4	100	1750	67
AMI-FS5-FAE258ST02	48	36~61	2.2	100	1750	67



Wiring Table			
Red	Blue	Yellow	White
VDC	GND	0-10VDC/PWM	FG

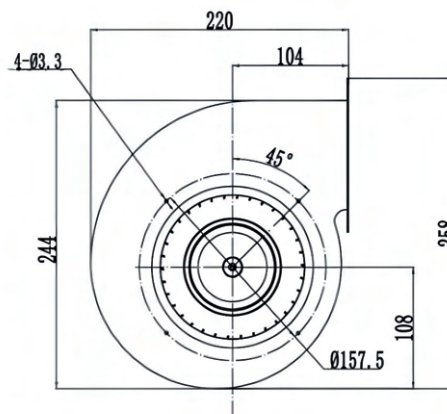
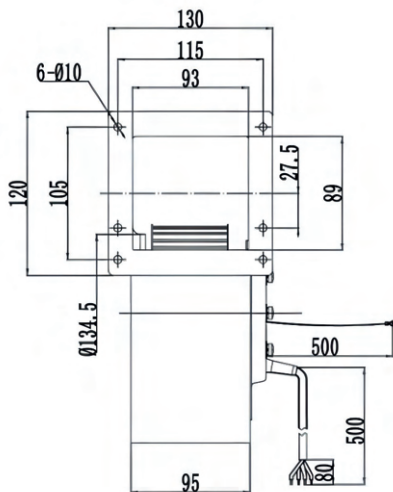
DC CENTRIFUGAL FANS

Φ160 Forward Centrifugal Fans



- Mode of operation: S1
- Control mode: 0-10V/PWM
- Insulation: F
- Type of protection: IP42
- Perm. amb. temp.: -25- +60°C
- Impeller material: Steel

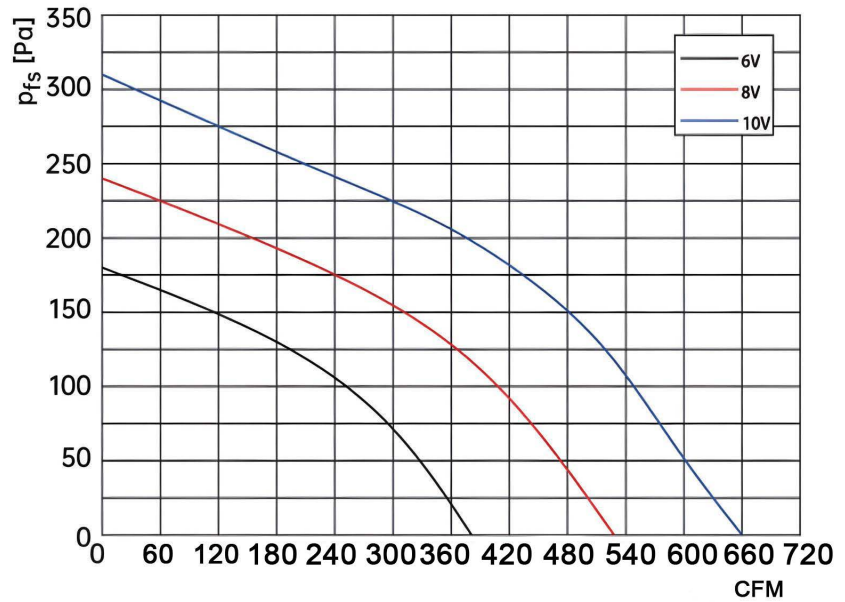
Type	Rated Voltage	Operating Voltage	Current	Power In	Rotating Speed	Noise
	V	V	A	W	RPM	dB(A)
AMI-FS5-FAI258PL02	310	280~340	0.91	290	2750	72



Wiring Table				
Red	Black	Blue	Yellow	White
DC310V	GND	FG(12Pulse/R)	0-10VDC/PWM	+15VDCInput

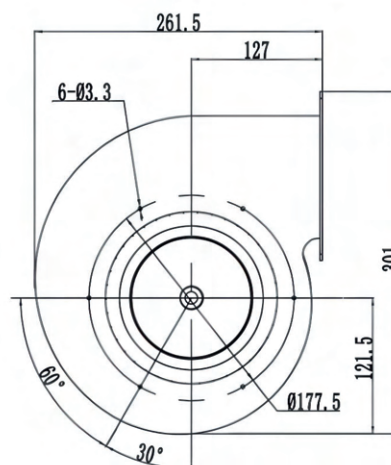
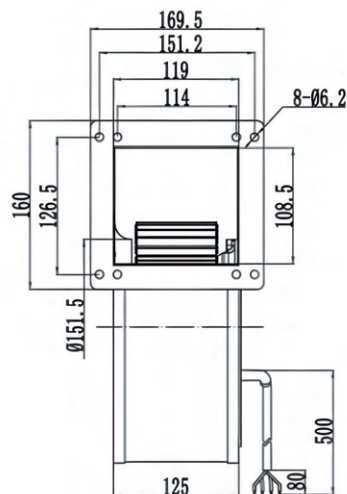
DC CENTRIFUGAL FANS

Φ180 Forward Centrifugal Fans



- Mode of operation: S1
- Control mode: 0-10V/PWM
- Insulation: F
- Type of protection: IP42
- Perm. amb. temp.: -25- +60°C
- Impeller material: Steel

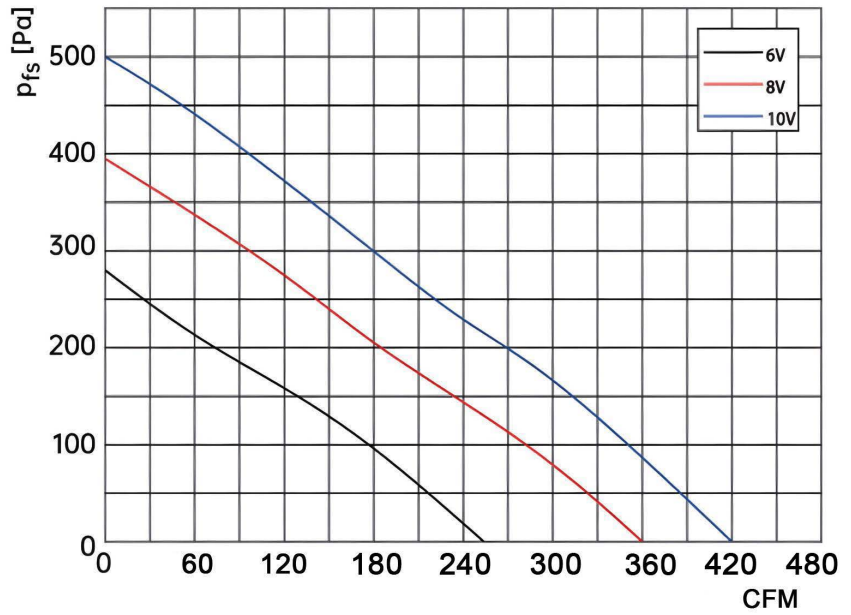
Type	Rated Voltage	Operating Voltage	Current	Power In	Rotating Speed	Noise
	V	V	A	W	RPM	dB(A)
AMI-F55-FAF301ST00	24	16~28	4.1	100	1320	67
AMI-F55-FAE301ST00	48	36~61	2.05	100	1320	67



Wiring Table			
Red	Blue	Yellow	White
VDC	GND	0-10VDC/PWM	FG

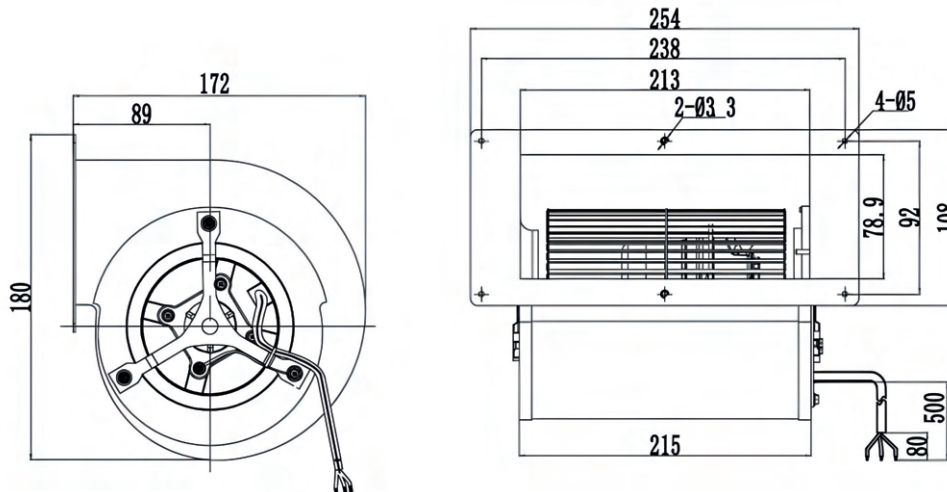
DC CENTRIFUGAL FANS

Φ133 Forward Centrifugal Fans



- Mode of operation: S1
- Control mode: 0-10V/PWM
- Insulation: F
- Type of protection: IP42
- Perm. amb. temp.: -25- +60°C
- Impeller material: Steel

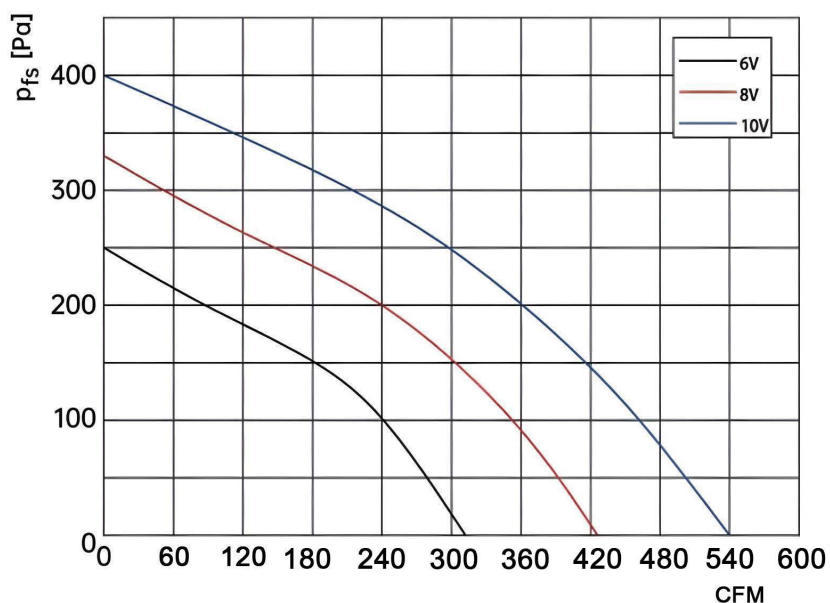
Type	Rated Voltage	Operating Voltage	Current	Power In	Rotating Speed	Noise
	V	V	A	W	RPM	dB(A)
AMI-FS5-FAF180PL00	24	16~28	4.4	105	1780	67
AMI-FS5-FAE180PL00	48	36~61	2.2	105	1780	67



Wiring Table			
Red	Blue	Yellow	White
VDC	GND	0-10VDC/PWM	FG

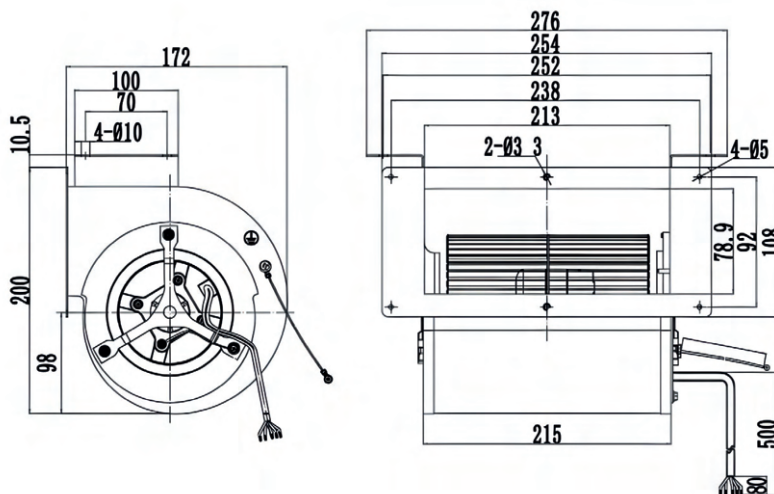
DC CENTRIFUGAL FANS

Φ133 Forward Centrifugal Fans



- Mode of operation: S1
- Control mode: 0-10V/PWM
- Insulation: F
- Type of protection: IP42
- Perm. amb. temp.: -25- +60°C
- Impeller material: Steel

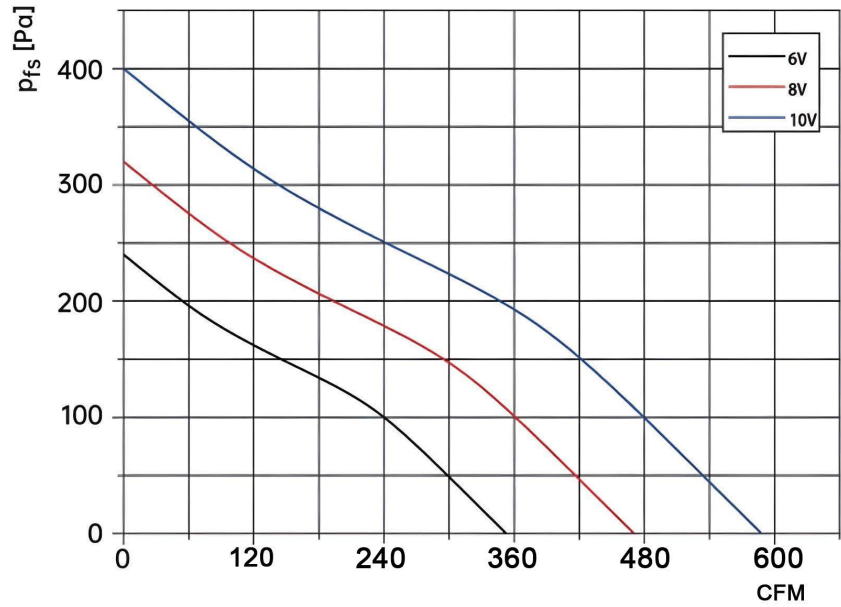
Type	Rated Voltage	Operating Voltage	Current	Power In	Rotating Speed	Noise
	V	V	A	W	RPM	dB(A)
AMI-FS5-FAI200ST00	310	280~340	0.45	140	1950	68



Wiring Table				
Red	Black	Blue	Yellow	White
DC310V	GND	FG(12Pulse/R)	0-10VDC/PWM	+15VDCInput

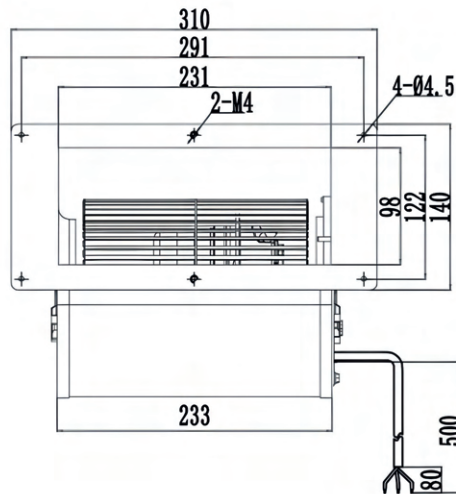
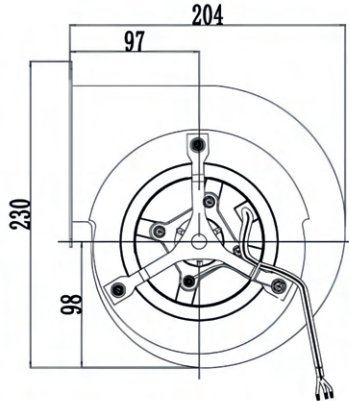
DC CENTRIFUGAL FANS

Φ146 Forward Centrifugal Fans



- Mode of operation: S1
- Control mode: 0-10V/PWM
- Insulation: F
- Type of protection: IP42
- Perm. amb. temp.: -25- +60°C
- Impeller material: Steel

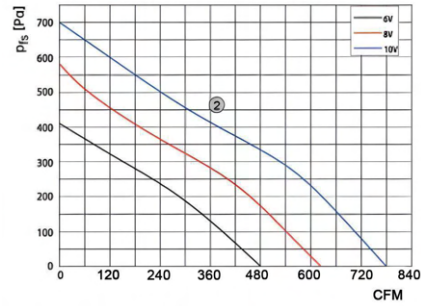
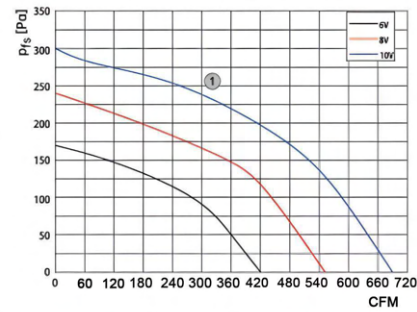
Type	Rated Voltage	Operating Voltage	Current	Power In	Rotating Speed	Noise
	V	V	A	W	RPM	dB(A)
AMI-FS5-FAF230PL00	24	16~28	4.4	105	1350	63
AMI-FS5-FAE230PL00	48	36~61	2.2	105	1350	63



Wiring Table			
Red	Blue	Yellow	White
VDC	GND	0-10VDC/PWM	FG

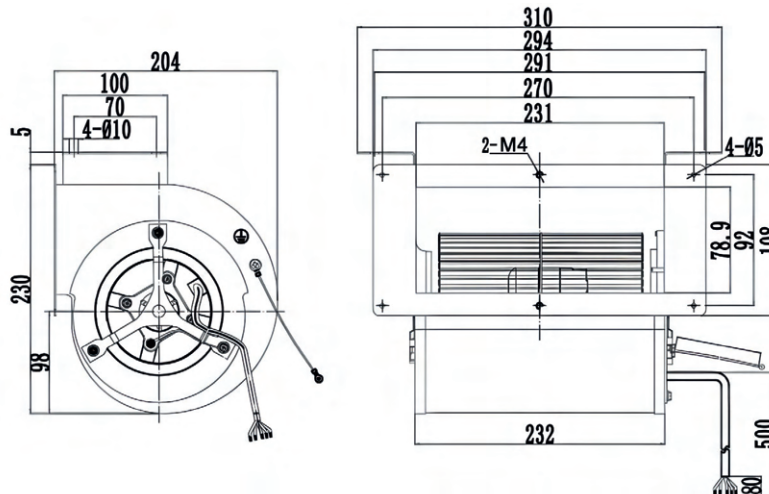
DC CENTRIFUGAL FANS

Φ146 Forward Centrifugal Fans



- Mode of operation: S1
- Control mode: 0-10V/PWM
- Insulation: F
- Type of protection: IP42
- Perm. amb. temp.: -25~ +60°C
- Impeller material: Steel

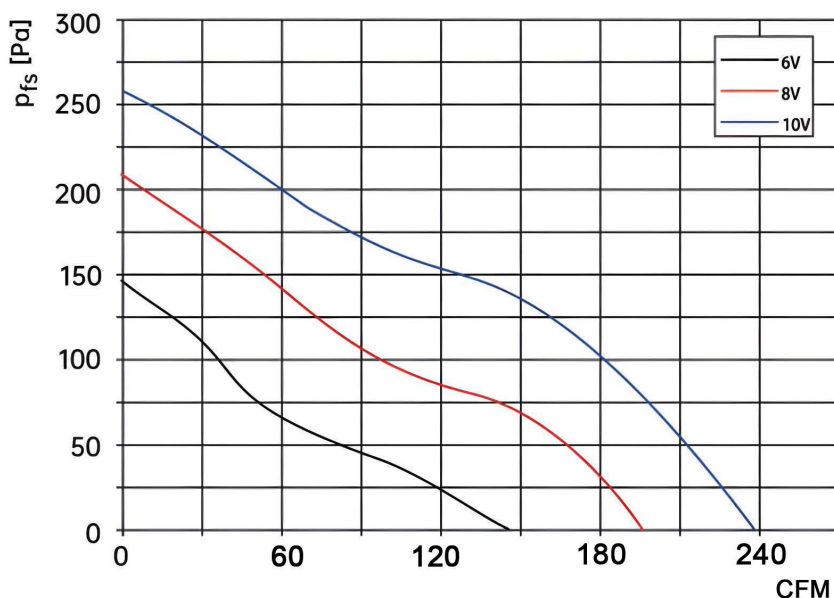
Type	Rated Voltage	Operating Voltage	Current	Power In	Rotating Speed	Noise
	V	V	A	W	RPM	dB(A)
① AMI-FS5-FAI230ST00	310	280~340	0.6	170	1850	72
② AMI-FS5-FAI230ST01	310	280~340	0.82	260	2050	73



Wiring Table				
Red	Black	Blue	Yellow	White
DC310V	GND	FG(12Pulse/R)	0-10VDC/PWM	+15VDCInput

EC CENTRIFUGAL FANS

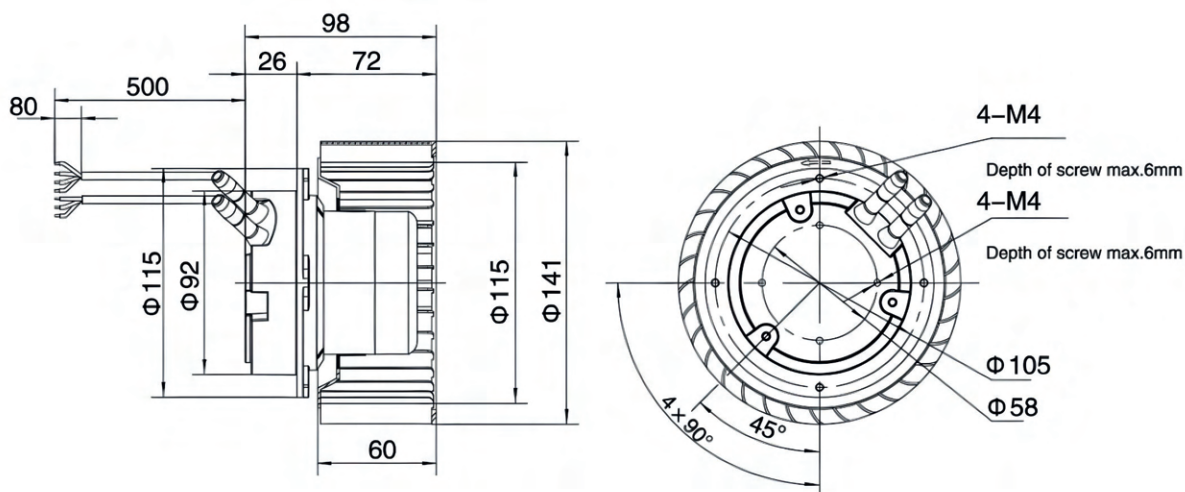
Φ140 Forward Centrifugal Fans



Approvals:

- Mode of operation: S1
 - Control mode: 0-10V/PWM
 - Insulation: F
 - Type of protection: IP42
 - Perm. amb. temp.: -25~ +60 °C
 - Impeller material: Plastic
- RS485(Optional)

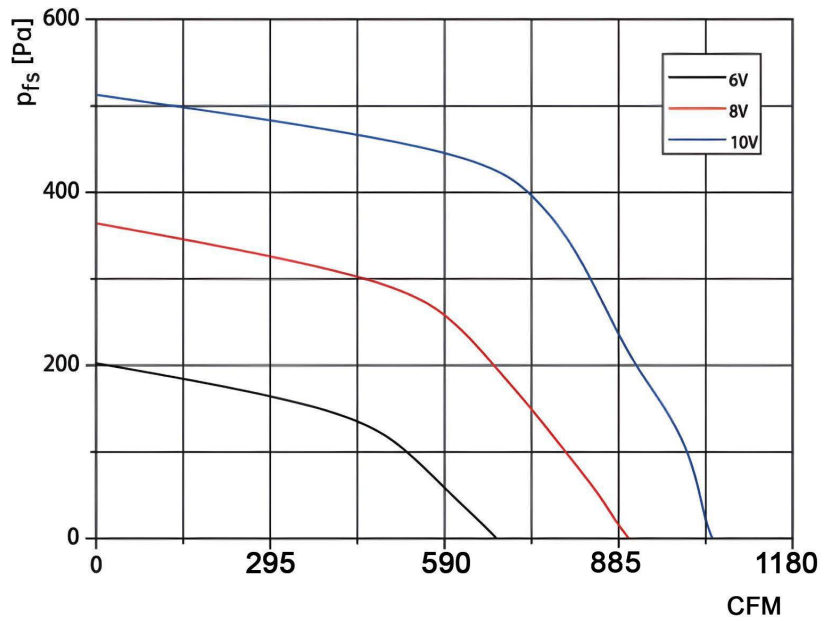
Type	Rated Voltage	Operating Voltage	Current	Power In	Rotating Speed	Noise
	V	V	A	W	RPM	dB(A)
AMI-FS5-FAM141PL00	230	200~277	0.5	67	1800	63



Wiring Table						
Brown	Blue	Yellow/Green	Red	Blue	Yellow	White
L	N	PE	VDC	GND	0-10VDC/PWM	FG

EC CENTRIFUGAL FANS

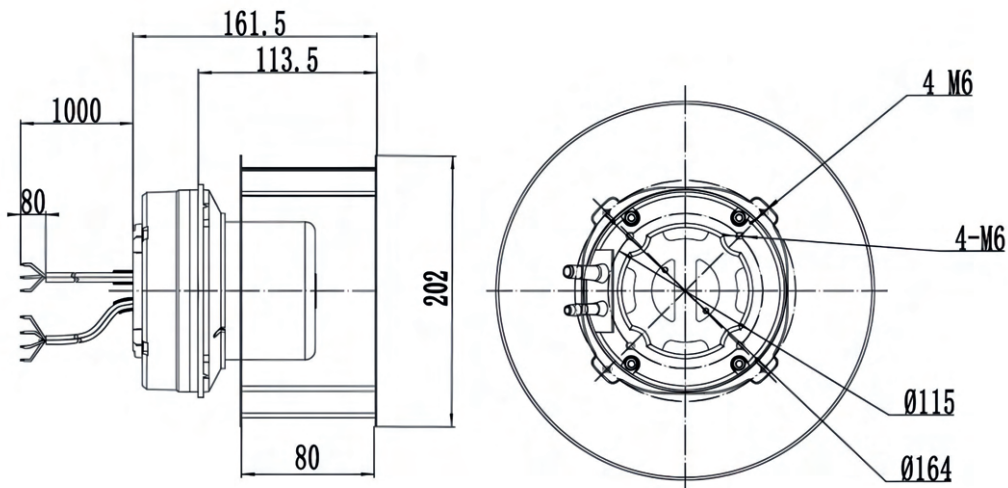
Φ200 Forward Centrifugal Fans



Approvals:

- Mode of operation: S1
- Control mode: 0-10V/PWM, RS485(Optional)
- Insulation: F
- Type of protection: IP42
- Perm. amb. temp.: -25- +60°C
- Impeller material: Steel

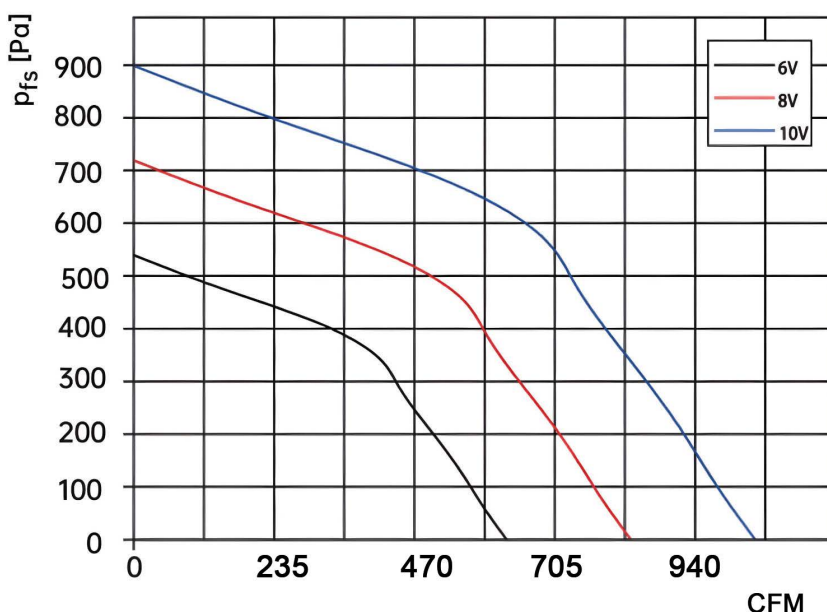
Type	Rated Voltage	Operating Voltage	Current	Power In	Rotating Speed	Noise
	V	V	A	W	RPM	dB(A)
AMI-FS5-FAM202ST00	230	200~277	1.74	400	2000	65



Wiring Table						
Brown	Blue	Yellow/Green	Red	Blue	Yellow	White
L	N	PE	VDC	GND	0-10VDC/PWM	FG

EC CENTRIFUGAL FANS

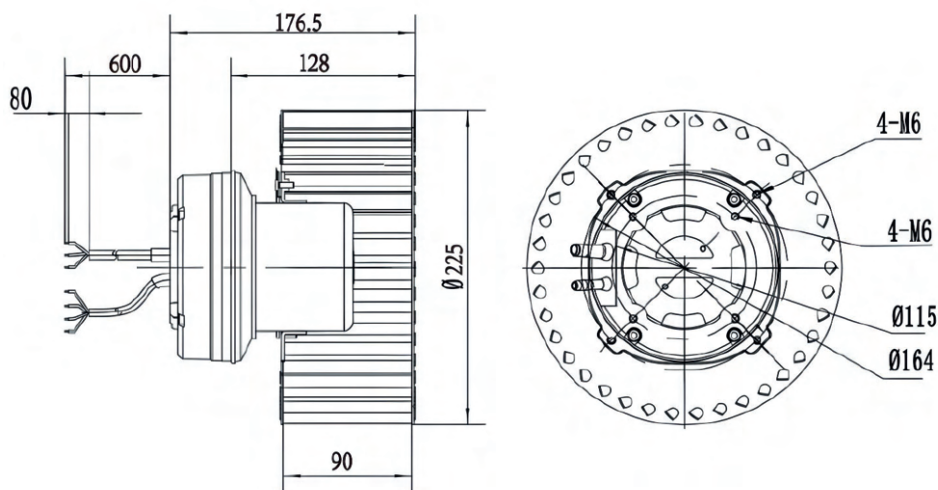
Φ225 Forward Centrifugal Fans



Approvals:

- Mode of operation: S1
- Control mode: 0-10V/PWM, RS85(Optional)
- Insulation: F
- Type of protection: IP42
- Perm. amb. temp.: -25- +60°C
- Impeller material: Steel

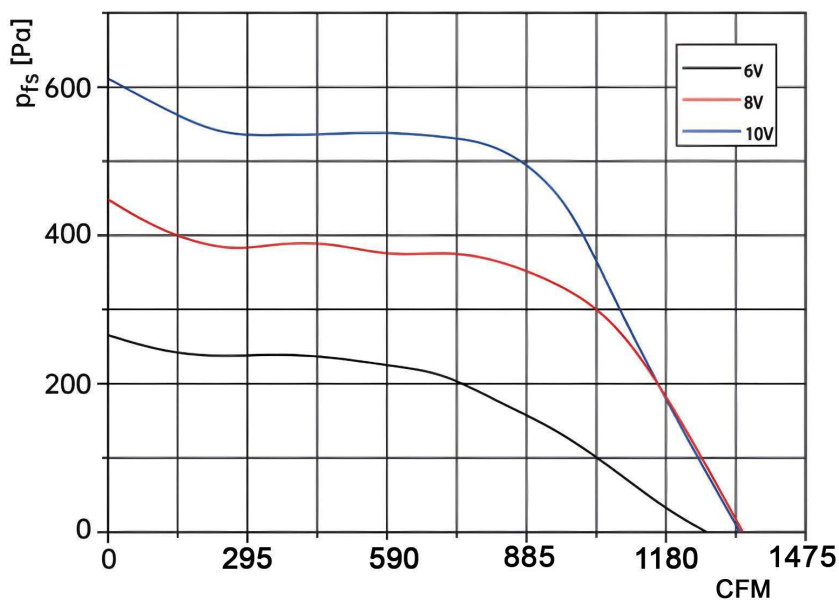
Type	Rated Voltage	Operating Voltage	Current	Power In	Rotating Speed	Noise
	V	V	A	W	RPM	dB(A)
AMI-FS5-FAM225ST00	230	200~277	2.4	500	1400	64



Wiring Table						
Brown	Blue	Yellow/Green	Red	Blue	Yellow	White
L	N	PE	VDC	GND	0-10VDC/PWM	FG

EC CENTRIFUGAL FANS

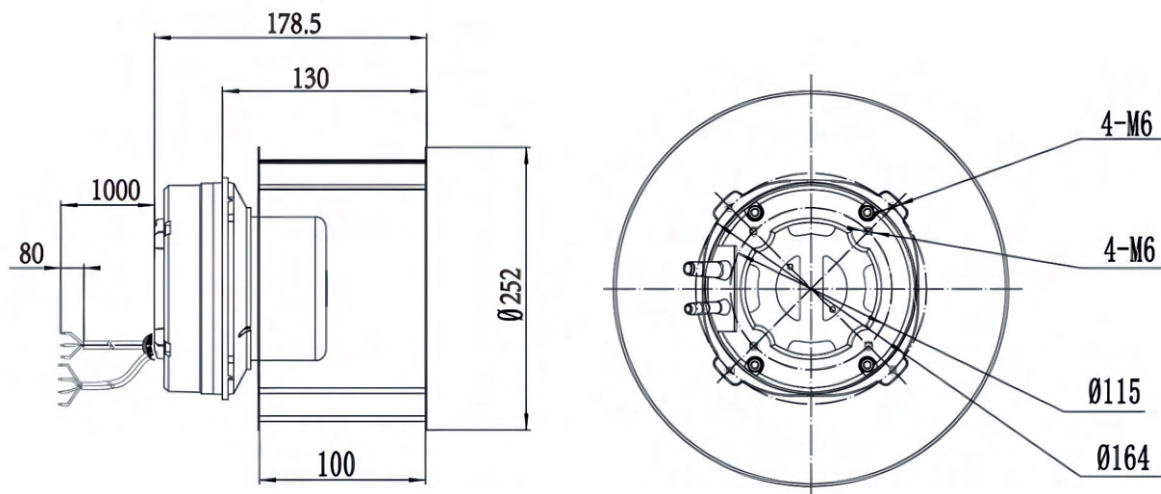
Φ250 Forward Centrifugal Fans



Approvals:

- Mode of operation: S1
- Control mode: 0-10V/PWM, RS485(Optional)
- Insulation: F
- Type of protection: IP42
- Perm. amb. temp.: -25- +60°C
- Impeller material: Steel

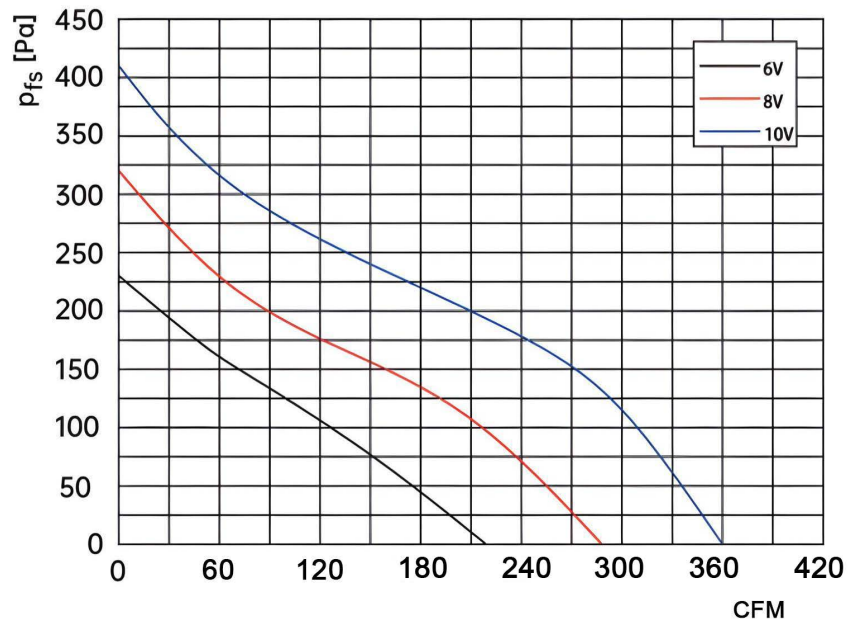
Type	Rated Voltage	Operating Voltage	Current	Power In	Rotating Speed	Noise
	V	V	A	W	RPM	dB(A)
AMI-FS5-FAM252ST00	230	200~277	1.87	430	1620	76



Wiring Table						
Brown	Blue	Yellow/Green	Red	Blue	Yellow	White
L	N	PE	VDC	GND	0-10VDC/PWM	FG

EC CENTRIFUGAL FANS

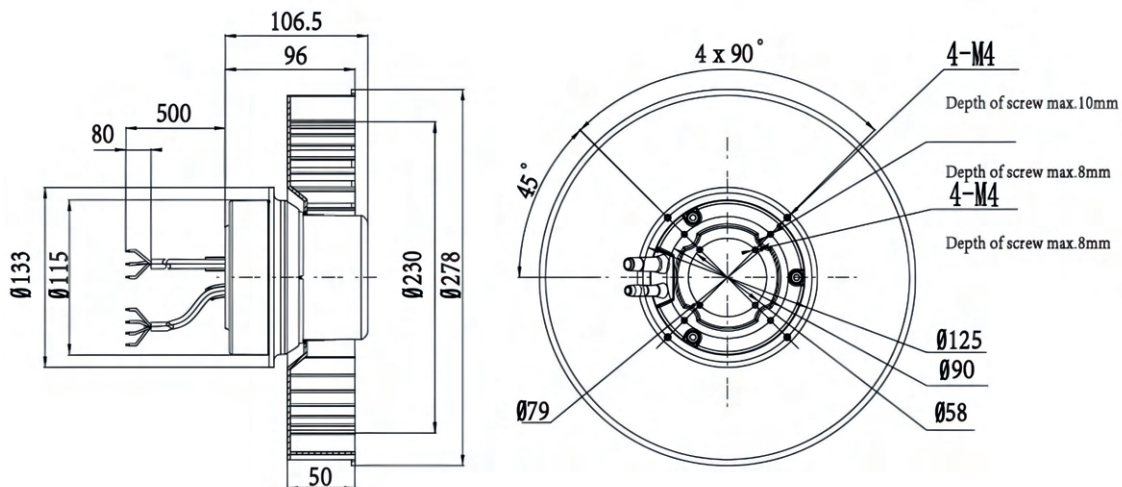
Φ277 Forward Centrifugal Fans



Approvals:

- Mode of operation: S1
- Control mode: 0-10V/PWM, RS85(Optional)
- Insulation: F
- Type of protection: IP42
- Perm. amb. temp.: -25- +60°C
- Impeller material: Plastic

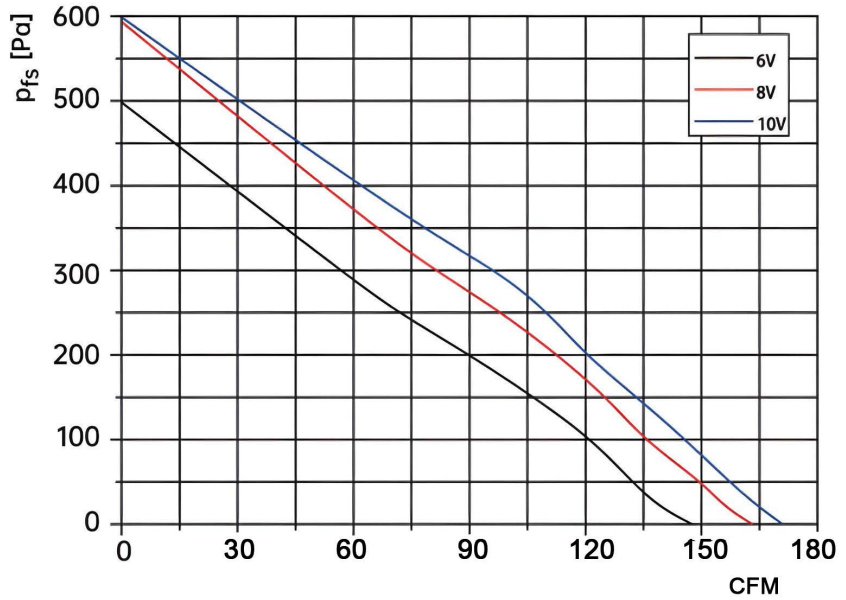
Type	Rated Voltage	Operating Voltage	Current	Power In	Rotating Speed	Noise
	V	V	A	W	RPM	dB(A)
AMI-FS5-FAM278PL00	230	200~277	0.5	45	850	63



Wiring Table						
Brown	Blue	Yellow/Green	Red	Blue	Yellow	White
L	N	PE	VDC	GND	0-10VDC/PWM	FG

EC CENTRIFUGAL FANS

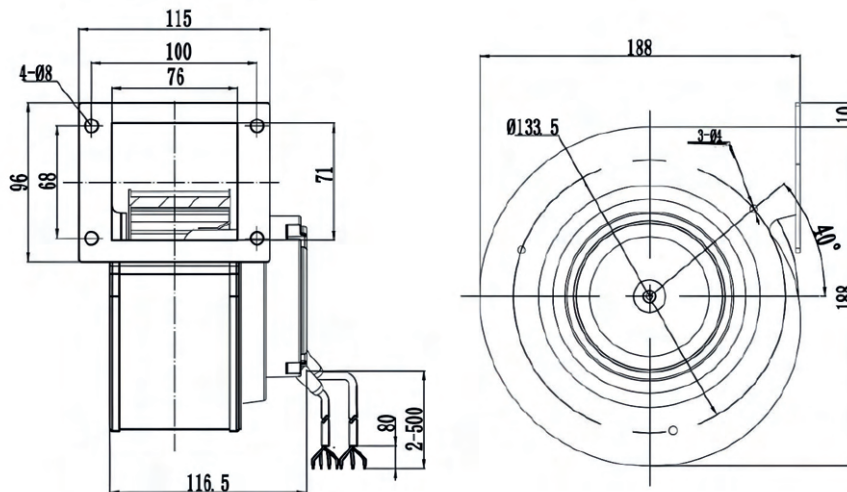
Φ200 Forward Centrifugal Fans



Approvals:

- Mode of operation: S1
- Control mode: 0-10V/PWM, RS485(Optional)
- Insulation: F
- Type of protection: IP42
- Perm. amb. temp.: -25- +60°C
- Impeller material: Steel

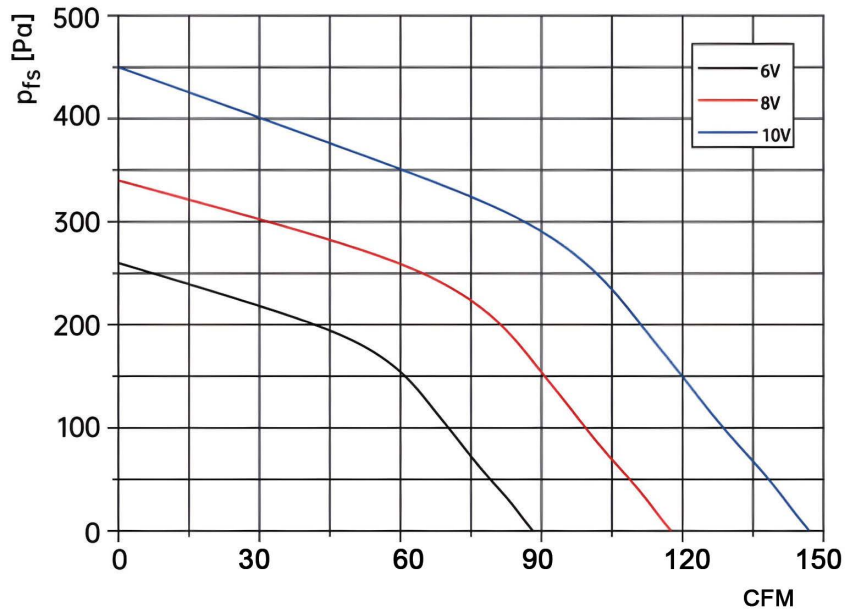
Type	Rated Voltage	Operating Voltage	Current	Power In	Rotating Speed	Noise
	V	V	A	W	RPM	dB(A)
AMI-FS5-FAM188ST00	230	200~277	0.3	40	2200	60



Wiring Table						
Brown	Blue	Yellow/Green	Red	Blue	Yellow	White
L	N	PE	VDC	GND	0-10VDC/PWM	FG

EC CENTRIFUGAL FANS

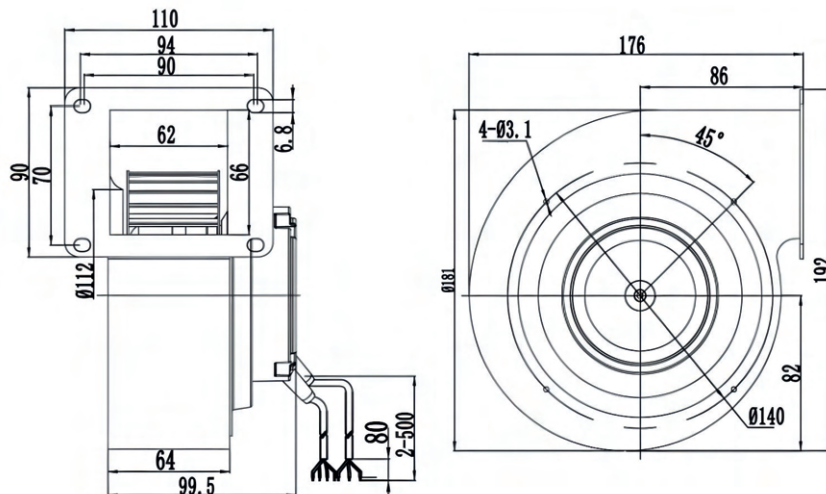
Φ133 Forward Centrifugal Fans



Approvals:

- Mode of operation: S1
- Control mode: 0-10V/PWM, RS85(Optional)
- Insulation: F
- Type of protection: IP42
- Perm. amb. temp.: -25- +60°C
- Impeller material: Steel

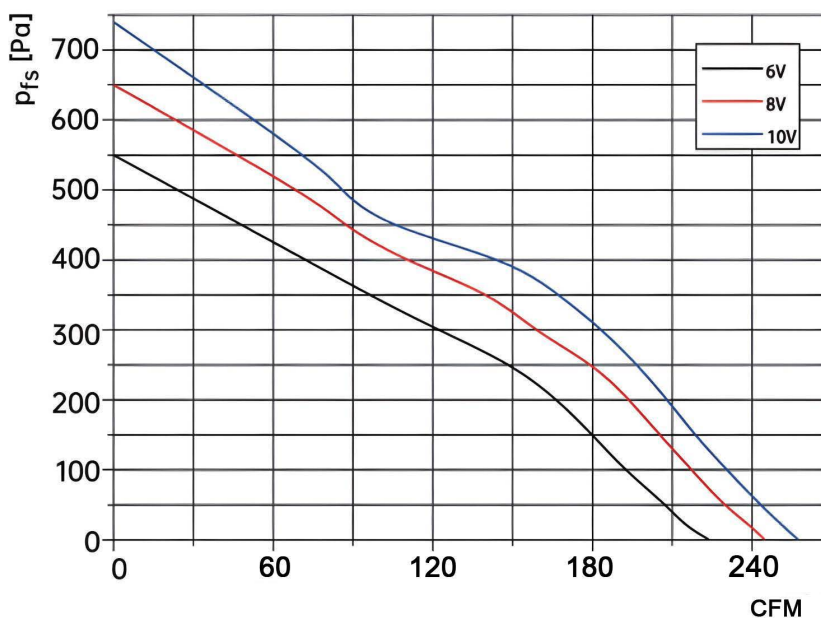
Type	Rated Voltage	Operating Voltage	Current	Power In	Rotating Speed	Noise
	V	V	A	W	RPM	dB(A)
AMI-FS5-FAM192ST00	230	200~277	0.3	40	2000	63



Wiring Table						
Brown	Blue	Yellow/Green	Red	Blue	Yellow	White
L	N	PE	VDC	GND	0-10VDC/PWM	FG

EC CENTRIFUGAL FANS

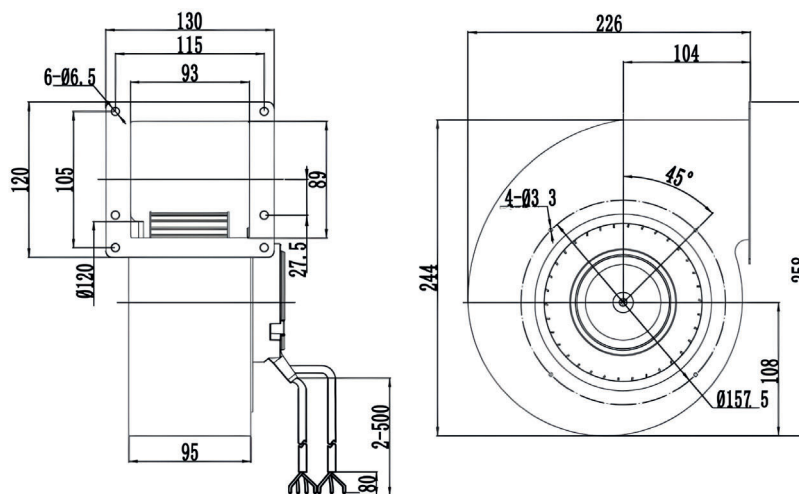
Φ140 Forward Centrifugal Fans



Approvals:

- Mode of operation: S1
- Control mode: 0-10V/PWM, RS485(Optional)
- Insulation: F
- Type of protection: IP42
- Perm. amb. temp.: -25- +60°C
- Impeller material: Steel

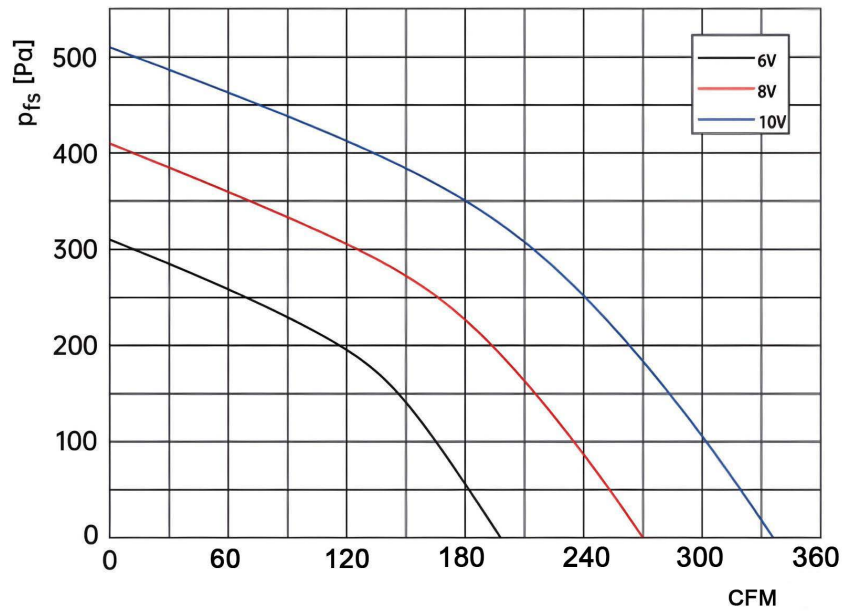
Type	Rated Voltage	Operating Voltage	Current	Power In	Rotating Speed	Noise
	V	V	A	W	RPM	dB(A)
AMI-FS5-FAM258ST00	230	200~277	0.5	70	1800	66



Wiring Table						
Brown	Blue	Yellow/Green	Red	Blue	Yellow	White
L	N	PE	VDC	GND	0-10VDC/PWM	FG

EC CENTRIFUGAL FANS

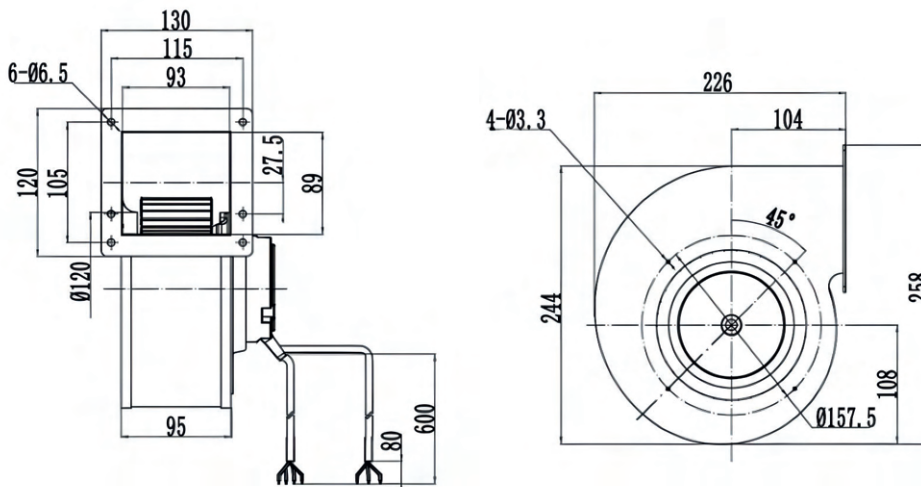
Φ140 Forward Centrifugal Fans



Approvals:

- Mode of operation: S1
- Control mode: 0-10V/PWM, RS85(Optional)
- Insulation: F
- Type of protection: IP42
- Perm. amb. temp.: -25- +60°C
- Impeller material: Steel

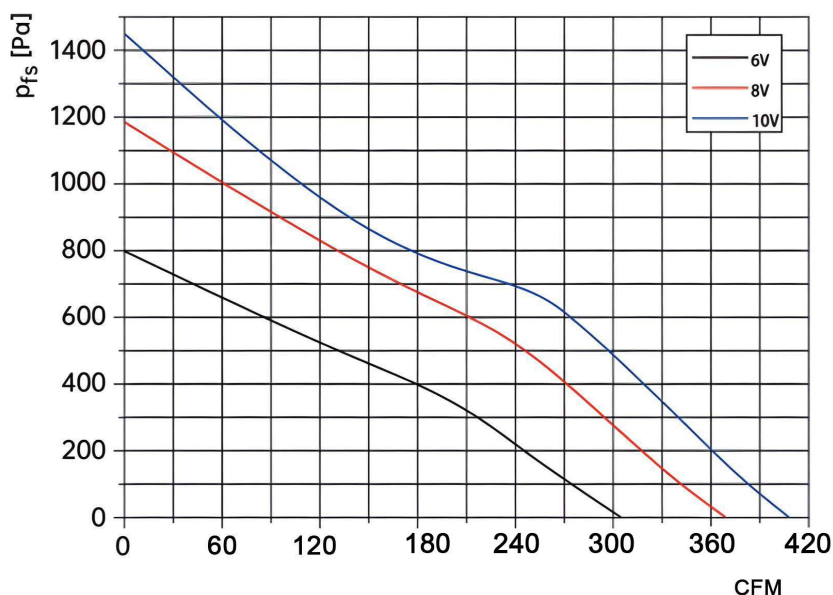
Type	Rated Voltage	Operating Voltage	Current	Power In	Rotating Speed	Noise
	V	V	A	W	RPM	dB(A)
AMI-FS5-FAM258ST01	230	200~277	0.8	75	2150	68



Wiring Table						
Brown	Blue	Yellow/Green	Red	Blue	Yellow	White
L	N	PE	VDC	GND	0-10VDC/PWM	FG

EC CENTRIFUGAL FANS

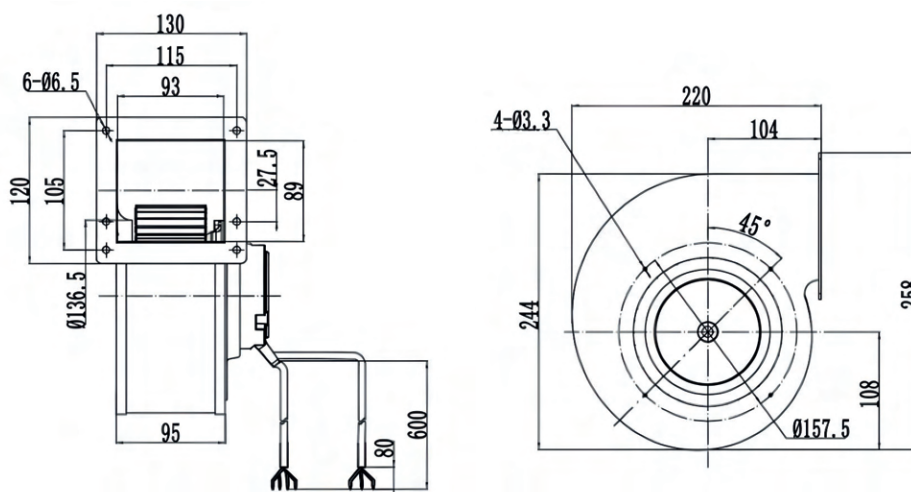
Φ160 Forward Centrifugal Fans



Approvals:

- Mode of operation: S1
- Control mode: 0-10V/PWM, RS485(Optional)
- Insulation: F
- Type of protection: IP42
- Perm. amb. temp.: -25- +60°C
- Impeller material: Steel

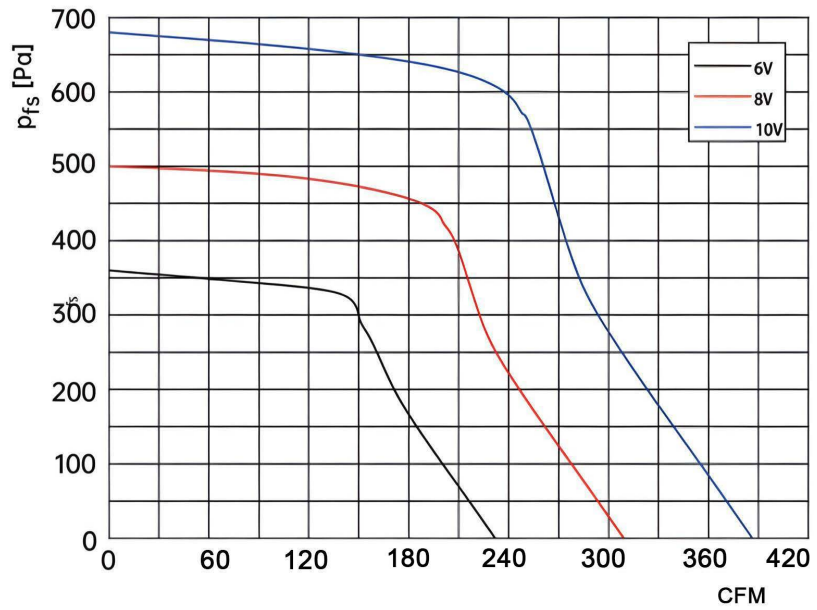
Type	Rated Voltage	Operating Voltage	Current	Power In	Rotating Speed	Noise
	V	V	A	W	RPM	dB(A)
AMI-FS5-FAM258ST02	230	200~277	1.45	205	3000	74



Wiring Table						
Brown	Blue	Yellow/Green	Red	Blue	Yellow	White
L	N	PE	VDC	GND	0-10VDC/PWM	FG

EC CENTRIFUGAL FANS

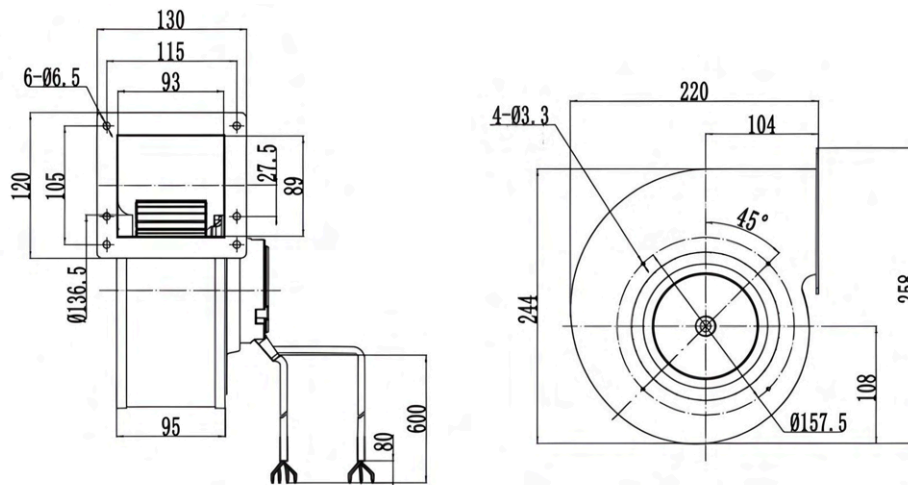
Φ160 Forward Centrifugal Fans



Approvals: 

- Mode of operation: S1
- Control mode: 0-10V/PWM, RS85(Optional)
- Insulation: F
- Type of protection: IP42
- Perm. amb. temp.: -25- +60°C
- Impeller material: Steel

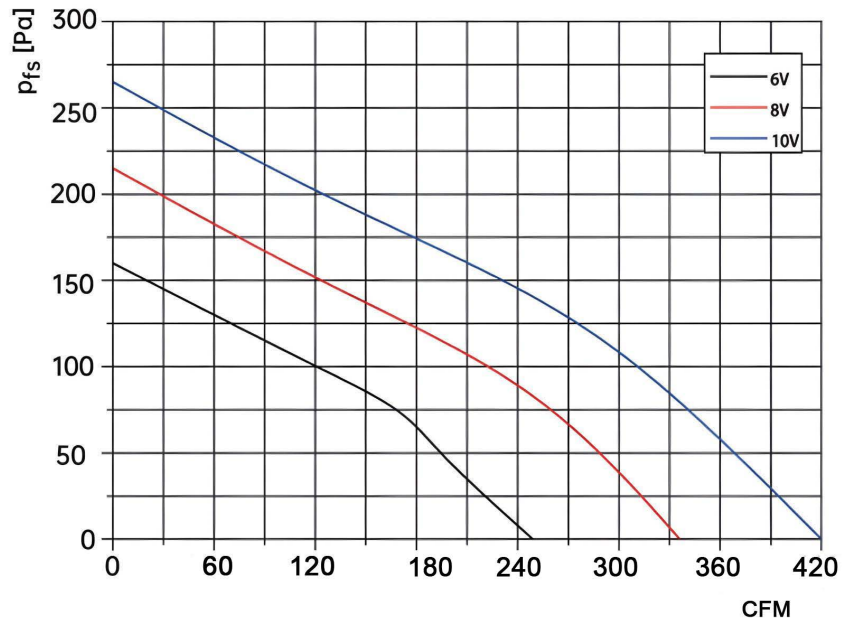
Type	Rated Voltage	Operating Voltage	Current	Power In	Rotating Speed	Noise
	V	V	A	W	RPM	dB(A)
AMI-FS5-FAM258ST03	230	200~277	1.13	170	2900	70



Wiring Table						
Brown	Blue	Yellow/Green	Red	Blue	Yellow	White
L	N	PE	VDC	GND	0-10VDC/PWM	FG

EC CENTRIFUGAL FANS

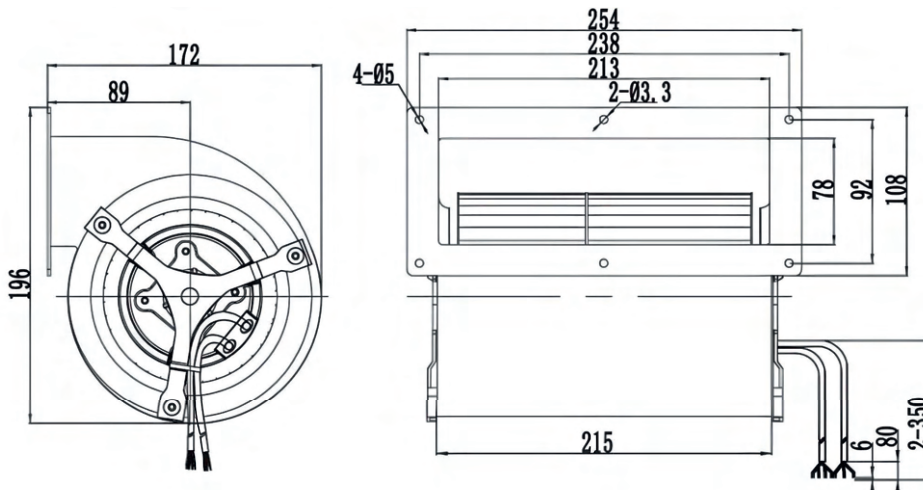
Φ133 Forward Centrifugal Fans



Approvals:

- Mode of operation: S1
- Control mode: 0-10V/PWM, RS485(Optional)
- Insulation: F
- Type of protection: IP42
- Perm. amb. temp.: -25- +60°C
- Impeller material: Steel

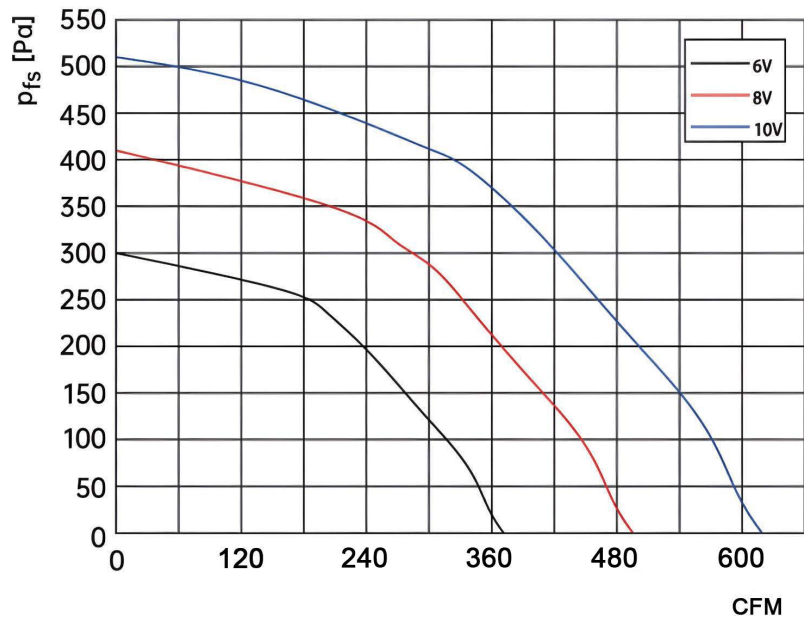
Type	Rated Voltage	Operating Voltage	Current	Power In	Rotating Speed	Noise
	V	V	A	W	RPM	dB(A)
AMI-FS5-FAM196ST00	230	200~277	0.7	100	1580	64



Wiring Table						
Brown	Blue	Yellow/Green	Red	Blue	Yellow	White
L	N	PE	VDC	GND	0-10VDC/PWM	FG

EC CENTRIFUGAL FANS

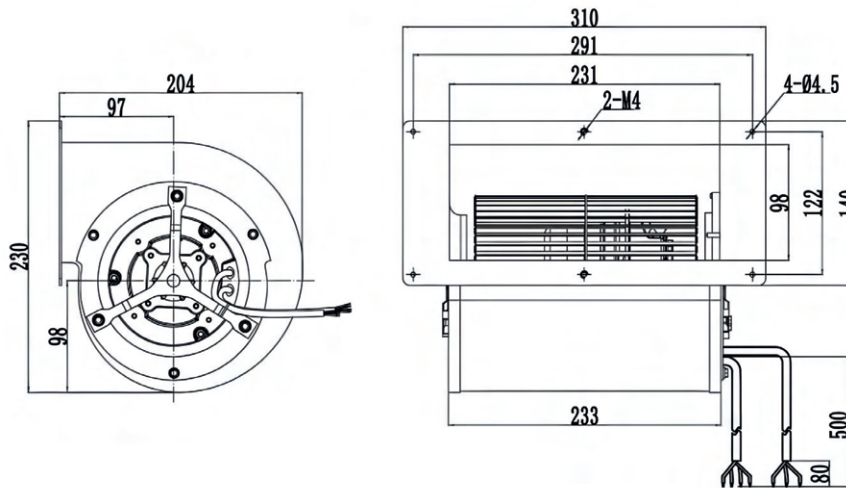
Φ146 Forward Centrifugal Fans



Approvals: 

- Mode of operation: S1
- Control mode: 0-10V/PWM, RS85(Optional)
- Insulation: F
- Type of protection: IP42
- Perm. amb. temp.: -25- +60°C
- Impeller material: Steel

Type	Rated Voltage	Operating Voltage	Current	Power In	Rotating Speed	Noise
	V	V	A	W	RPM	dB(A)
AMI-FS5-FAM230ST00	230	200~277	1.17	175	2550	70



Wiring Table						
Brown	Blue	Yellow/Green	Red	Blue	Yellow	White
L	N	PE	VDC	GND	0-10VDC/PWM	FG

AC BACKWARD CENTRIFUGAL BLOWER

AC Centrifugal Fan
AMI-BS1-B155PL Series
Ø155x95mm

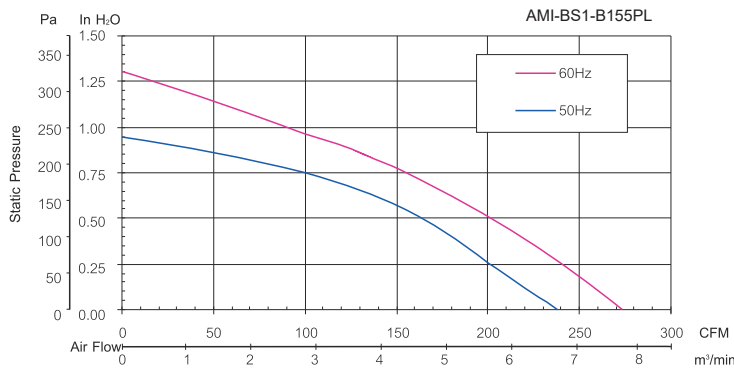


Specifications	
Air Flow	235 ~ 270 CFM
Impeller	Plastic PA (Polyamide Glass-fiber Reinforced)
Motor	Capacitor-Run Induction and External Rotor Motor
Rotor	Black Paint
Bearing	Dual Ball Bearing, Permanently Lubricated
Operating Voltage Range	85VAC to 125VAC for 115V Type 185VAC to 245 VAC for 230V Type
Lead Wire	AWG# 20 UL
Insulation	Class "B" or "F"
Safety	Thermally Protected (Auto Restart)
Operating Temperature	-20°C to +70°C
Weight	1200g

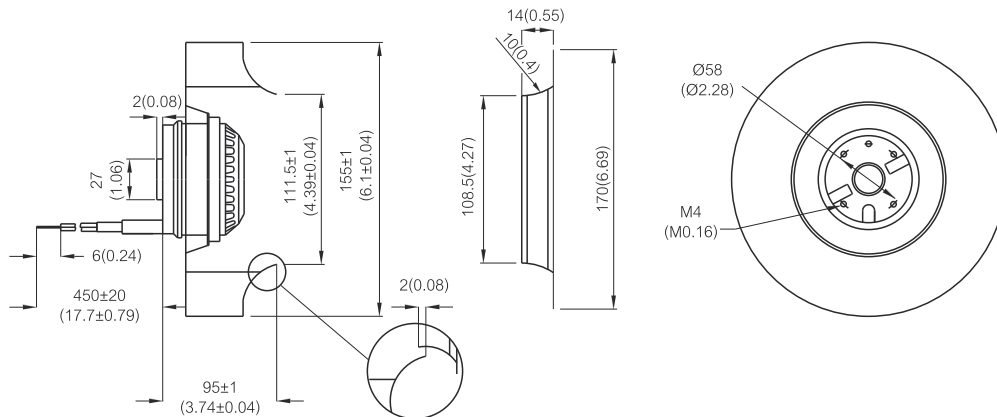
Item Code	Rated Voltage	Frequency (Hz)	Rated Current(A)	Input Power(W)	Speed (RPM)	Air Flow (CFM)	Air Flow (m³/min)	Static Pressure (inch-H ₂ O)	Noise dB(A)	Capacitor (µF)
AMI-BS1-BD155PL00	115V	50/60	0.31/0.34	33/38	2700/3100	235/270	6.65/7.64	0.95/1.31	60/63	4µF 200VAC
AMI-BS1-BL155PL00	230V	50/60	0.16/0.17	33/38	2700/3100	235/270	6.65/7.64	0.95/1.31	60/63	1µF 400VAC

Characteristic Curves:

Approvals:



Outline Drawing: Unit:mm(inch)



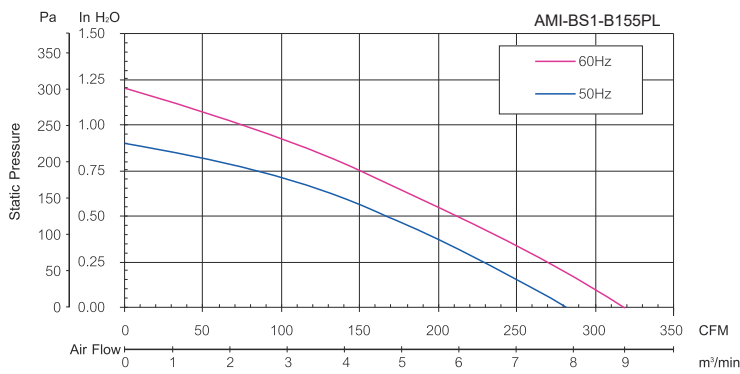
AC Centrifugal Fan
AMI-BS1-B155PL Series
Ø155x110mm



Specifications	
Air Flow	280 ~ 315 CFM
Impeller	Plastic PA (Polyamide Glass-fiber Reinforced)
Motor	Capacitor-Run Induction and External Rotor Motor
Rotor	Black Paint
Bearing	Dual Ball Bearing, Permanently Lubricated
Operating Voltage Range	85VAC to 125VAC for 115V Type 185VAC to 245 VAC for 230V Type
Lead Wire	AWG# 20 UL
Insulation	Class "B" or "F"
Safety	Thermally Protected (Auto Restart)
Operating Temperature	-20°C to +70°C
Weight	1250g

Item Code	Rated Voltage	Frequency (Hz)	Rated Current(A)	Input Power(W)	Speed (RPM)	Air Flow (CFM)	Air Flow (m³/min)	Static Pressure (inch-H₂O)	Noise dB(A)	Capacitor (μF)
AMI-BS1-BD155PL01	115V	50/60	0.32/0.37	34/42	2650/2950	280/315	8.07/8.92	0.91/1.21	57/60	4μF 200VAC
AMI-BS1-BL155PL01	230V	50/60	0.17/0.19	34/42	2650/2950	280/315	8.07/8.92	0.91/1.21	57/60	1μF 400VAC

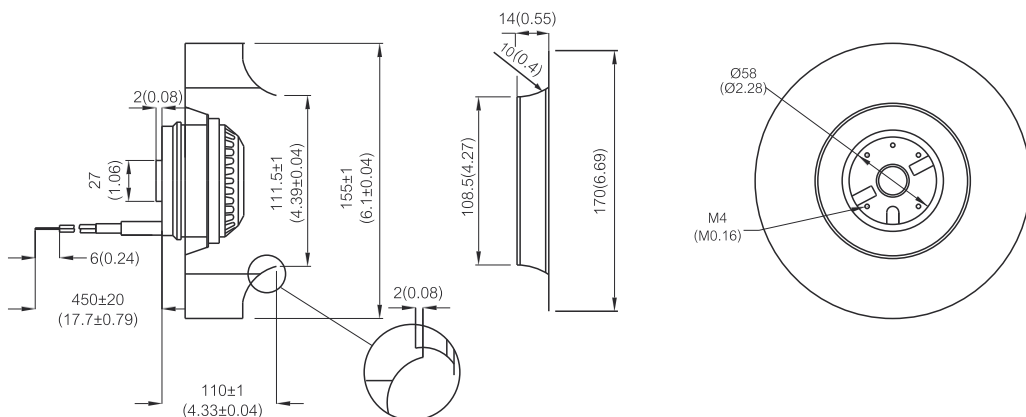
Characteristic Curves:



Approvals:



Outline Drawing: Unit:mm(inch)



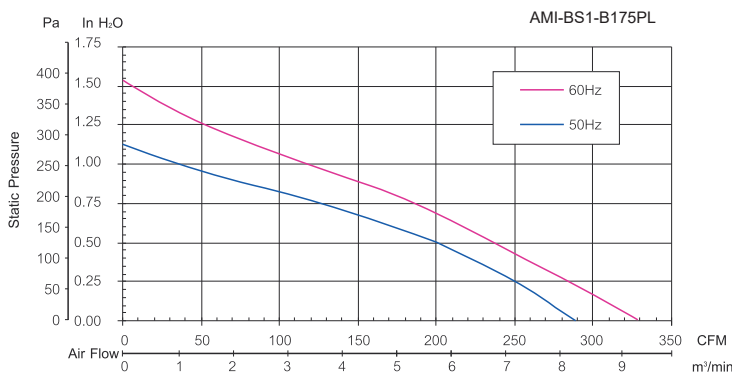
AC Centrifugal Fan
AMI-BS1-B175PL Series
Ø175x69mm



Specifications	
Air Flow	290 ~ 330 CFM
Impeller	Plastic PA (Polyamide Glass-fiber Reinforced)
Motor	Capacitor-Run Induction and External Rotor Motor
Rotor	Black Paint
Bearing	Dual Ball Bearing, Permanently Lubricated
Operating Voltage Range	85VAC to 125VAC for 115V Type 185VAC to 245 VAC for 230V Type
Lead Wire	AWG# 20 UL
Insulation	Class "B" or "F"
Safety	Thermally Protected (Auto Restart)
Operating Temperature	-20°C to +60°C
Weight	1270g

Item Code	Rated Voltage	Frequency (Hz)	Rated Current(A)	Input Power(W)	Speed (RPM)	Air Flow (CFM)	Air Flow (m³/min)	Static Pressure (inch-H₂O)	Noise dB(A)	Capacitor (µF)
AMI-BS1-BD175PL00	115V	50/60	0.44/0.47	48/53	2650/3000	290/330	8.21/9.34	1.13/1.55	64/66	5µF 200VAC
AMI-BS1-BL175PL00	230V	50/60	0.23/0.23	48/53	2650/3000	290/330	8.21/9.34	1.13/1.55	64/66	1.5µF 400VAC

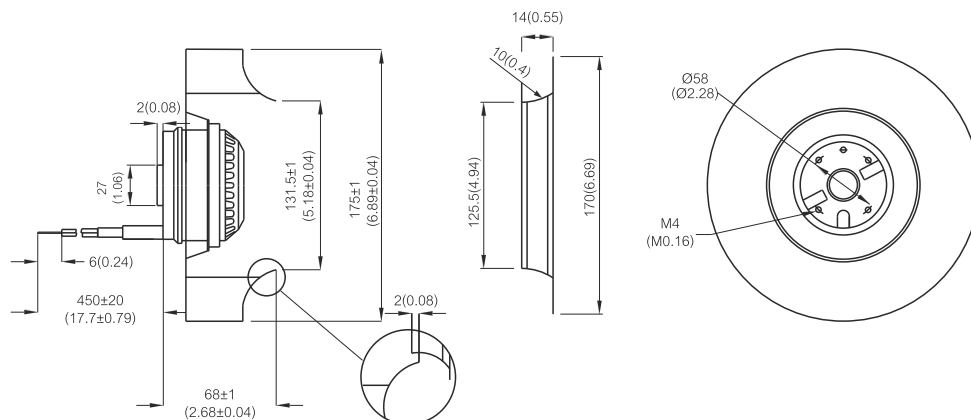
Characteristic Curves:



Approvals:



Outline Drawing: Unit:mm(inch)



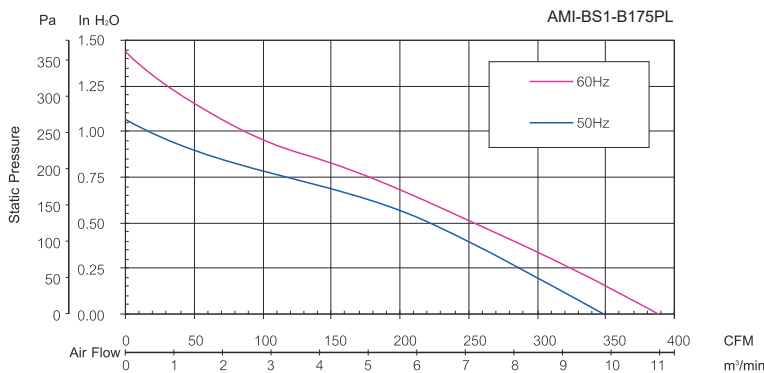
AC Centrifugal Fan
AMI-BS1-B175PL Series
Ø175x84mm



Specifications	
Air Flow	350 ~ 390 CFM
Impeller	Plastic PA (Polyamide Glass-fiber Reinforced)
Motor	Capacitor-Run Induction and External Rotor Motor
Rotor	Black Paint
Bearing	Dual Ball Bearing, Permanently Lubricated
Operating Voltage Range	85VAC to 125VAC for 115V Type 185VAC to 245 VAC for 230V Type
Lead Wire	AWG# 20 UL
Insulation	Class "B" or "F"
Safety	Thermally Protected (Auto Restart)
Operating Temperature	-20°C to +70°C
Weight	1280g

Item Code	Rated Voltage	Frequency (Hz)	Rated Current(A)	Input Power(W)	Speed (RPM)	Air Flow (CFM)	Air Flow (m³/min)	Static Pressure (inch-H ₂ O)	Noise dB(A)	Capacitor (µF)
AMI-BS1-BD175PL01	115V	50/60	0.45/0.50	50/57	2550/2800	350/390	9.91/11.04	1.07/1.46	60/62	5µF 200VAC
AMI-BS1-BL175PL01	230V	50/60	0.24/0.25	50/57	2550/2800	350/390	9.91/11.04	1.07/1.46	60/62	1.5µF 400VAC

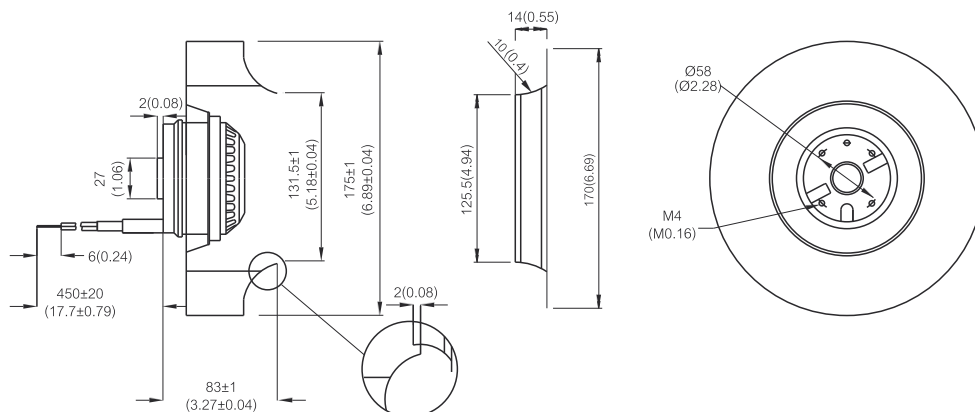
Characteristic Curves:



Approvals:



Outline Drawing: Unit:mm(inch)



AC Centrifugal Fan

AMI-BS1-B175PL Series

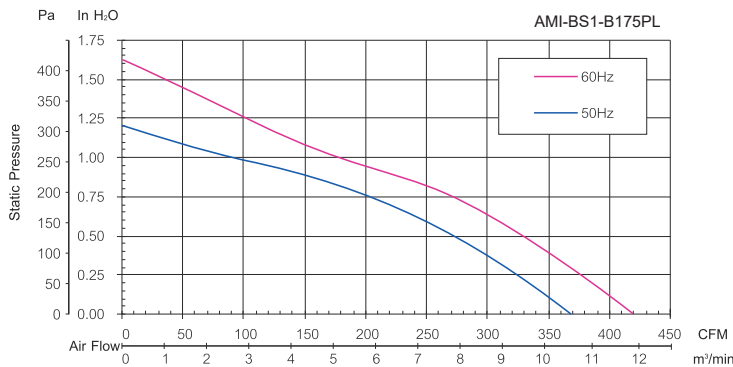
Ø175x95mm



Specifications	
Air Flow	370 ~ 420 CFM
Impeller	Plastic PA (Polyamide Glass-fiber Reinforced)
Motor	Capacitor-Run Induction and External Rotor Motor
Rotor	Black Paint
Bearing	Dual Ball Bearing, Permanently Lubricated
Operating Voltage Range	85VAC to 125VAC for 115V Type 185VAC to 245 VAC for 230V Type
Lead Wire	AWG# 20 UL
Insulation	Class "B" or "F"
Safety	Thermally Protected (Auto Restart)
Operating Temperature	-20°C to +70°C
Weight	1730g

Item Code	Rated Voltage	Frequency (Hz)	Rated Current(A)	Input Power(W)	Speed (RPM)	Air Flow (CFM)	Air Flow (m³/min)	Static Pressure (inch-H ₂ O)	Noise dB(A)	Capacitor (μF)
AMI-BS1-BD175PL02	115V	50/60	0.41/0.59	47/64	2700/3100	370/420	10.48/11.89	1.17/1.58	61/64	8μF 200VAC
AMI-BS1-BL175PL02	230V	50/60	0.20/0.29	47/64	2700/3100	370/420	10.48/11.89	1.17/1.58	61/64	2μF 400VAC

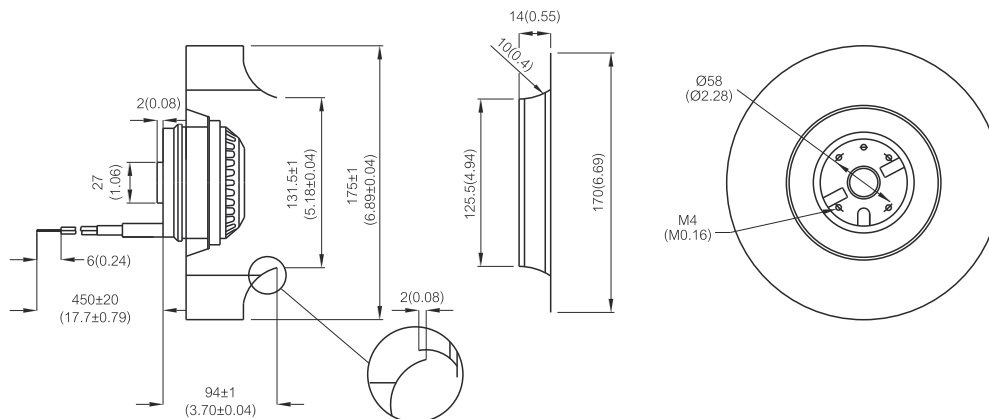
Characteristic Curves:



Approvals:



Outline Drawing: Unit:mm(inch)



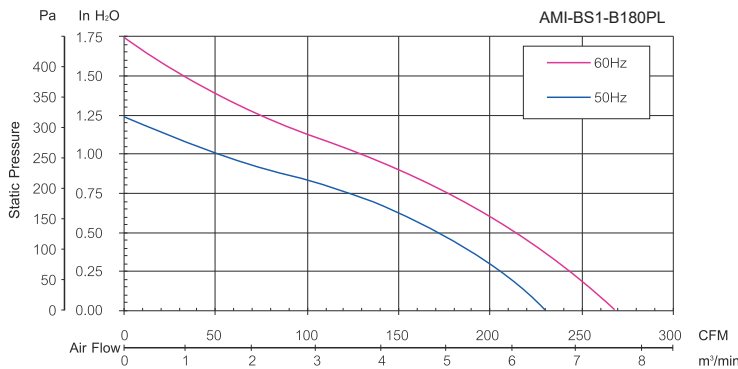
AC Centrifugal Fan
AMI-BS1-B180PL Series
Ø180x54mm



Specifications	
Air Flow	230 ~ 265 CFM
Impeller	Plastic PA (Polyamide Glass-fiber Reinforced)
Motor	Capacitor-Run Induction and External Rotor Motor
Rotor	Black Paint
Bearing	Dual Ball Bearing, Permanently Lubricated
Operating Voltage Range	85VAC to 125VAC for 115V Type 185VAC to 245 VAC for 230V Type
Lead Wire	AWG# 20 UL
Insulation	Class "B" or "F"
Safety	Thermally Protected (Auto Restart)
Operating Temperature	-20°C to +70°C
Weight	1300g

Item Code	Rated Voltage	Frequency (Hz)	Rated Current(A)	Input Power(W)	Speed (RPM)	Air Flow (CFM)	Air Flow (m³/min)	Static Pressure (inch-H ₂ O)	Noise dB(A)	Capacitor (µF)
AMI-BS1-BD180PL00	115V	50/60	0.55/0.51	54/58	2700/3150	230/265	6.51/7.50	1.25/1.74	64/67	6µF 200VAC
AMI-BS1-BL180PL00	230V	50/60	0.28/0.25	54/58	2700/3150	230/265	6.51/7.50	1.25/1.74	64/67	1.5µF 400VAC

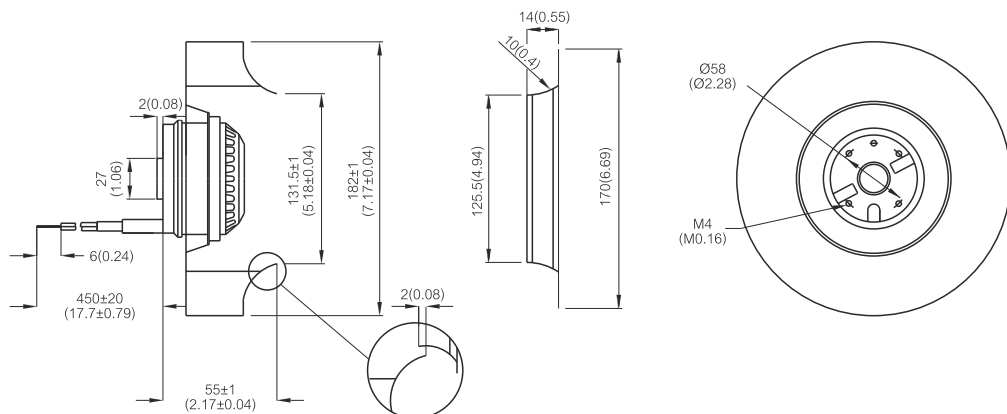
Characteristic Curves:



Approvals:



Outline Drawing: Unit:mm(inch)



AC Centrifugal Fan
AMI-BS1-B190PL Series
Ø190x69mm

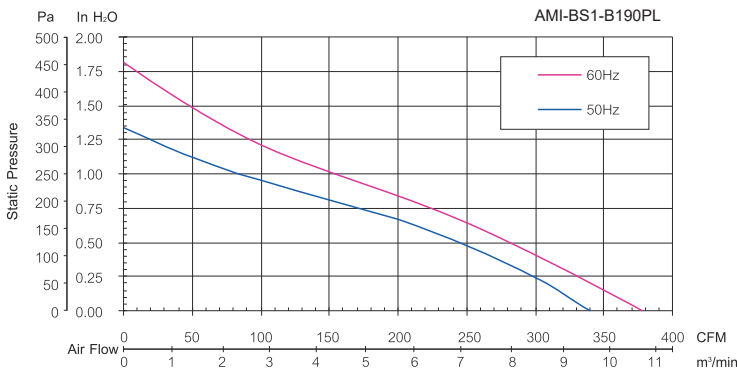


Specifications

Air Flow	340 ~ 375 CFM
Impeller	Plastic PA (Polyamide Glass-fiber Reinforced)
Motor	Capacitor-Run Induction and External Rotor Motor
Rotor	Black Paint
Bearing	Dual Ball Bearing, Permanently Lubricated
Operating Voltage Range	85VAC to 125VAC for 115V Type 185VAC to 245 VAC for 230V Type
Lead Wire	AWG# 20 UL
Insulation	Class "B" or "F"
Safety	Thermally Protected (Auto Restart)
Operating Temperature	-20°C to +70°C
Weight	1360g

Item Code	Rated Voltage	Frequency (Hz)	Rated Current(A)	Input Power(W)	Speed (RPM)	Air Flow (CFM)	Air Flow (m³/min)	Static Pressure (inch-H ₂ O)	Noise dB(A)	Capacitor (μF)
AMI-BS1-BD190PL00	115V	50/60	0.53/0.66	59/73	2450/2750	340/375	9.63/10.62	1.34/1.81	64/66	8μF 200VAC
AMI-BS1-BL190PL00	230V	50/60	0.26/0.32	59/73	2450/2750	340/375	9.63/10.62	1.34/1.81	64/66	2μF 400VAC

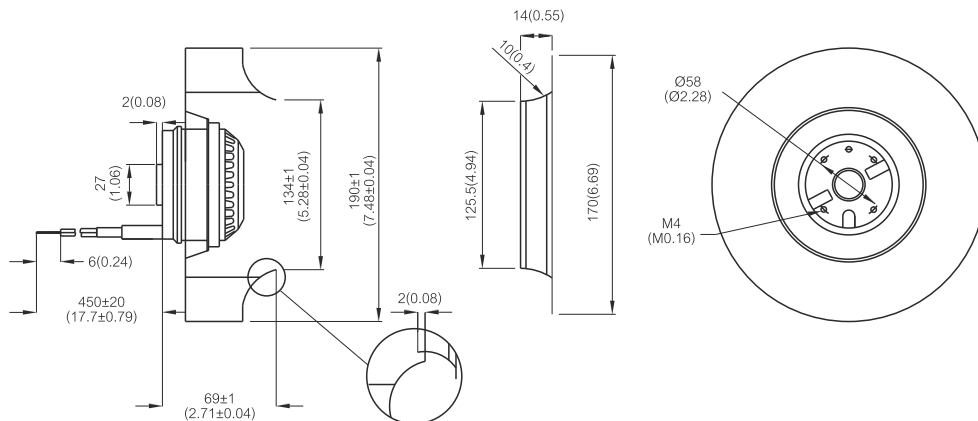
Characteristic Curves:



Approvals:



Outline Drawing: Unit:mm(inch)



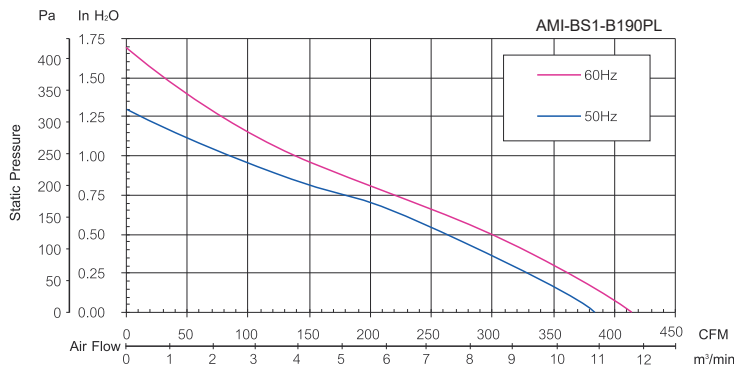
AC Centrifugal Fan
AMI-BS1-B190PL Series
Ø190x84mm



Specifications	
Air Flow	385 ~ 415CFM
Impeller	Plastic PA (Polyamide Glass-fiber Reinforced)
Motor	Capacitor-Run Induction and External Rotor Motor
Rotor	Black Paint
Bearing	Dual Ball Bearing, Permanently Lubricated
Operating Voltage Range	85VAC to 125VAC for 115V Type 185VAC to 245 VAC for 230V Type
Lead Wire	AWG# 20 UL
Insulation	Class "B" or "F"
Safety	Thermally Protected (Auto Restart)
Operating Temperature	-20°C to +70°C
Weight	1390g

Item Code	Rated Voltage	Frequency (Hz)	Rated Current(A)	Input Power(W)	Speed (RPM)	Air Flow (CFM)	Air Flow (m³/min)	Static Pressure (inch-H ₂ O)	Noise dB(A)	Capacitor (µF)
AMI-BS1-BD190PL01	115V	50/60	0.56/0.69	63/78	2350/2550	385/415	10.90/11.75	1.30/1.70	65/67	8µF 200VAC
AMI-BS1-BL190PL01	230V	50/60	0.27/0.34	63/78	2350/2550	385/415	10.90/11.75	1.30/1.70	65/67	2µF 400VAC

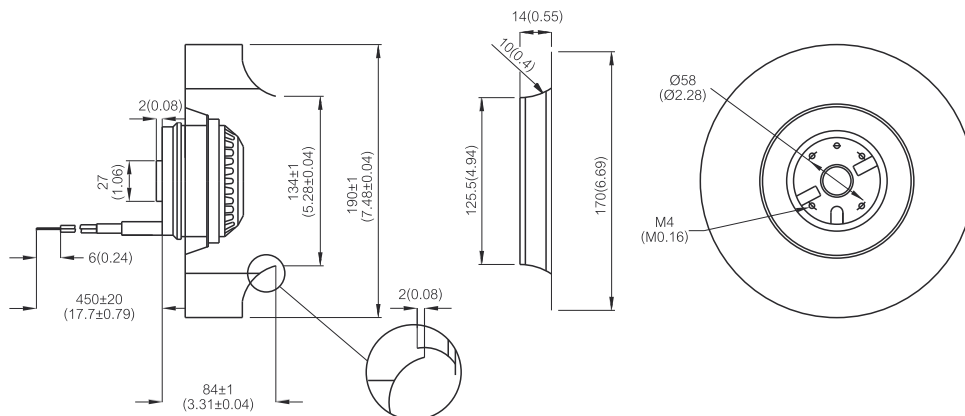
Characteristic Curves:



Approvals:



Outline Drawing: Unit:mm(inch)



AC Centrifugal Fan
AMI-BS1-B190PL Series
Ø190x95mm

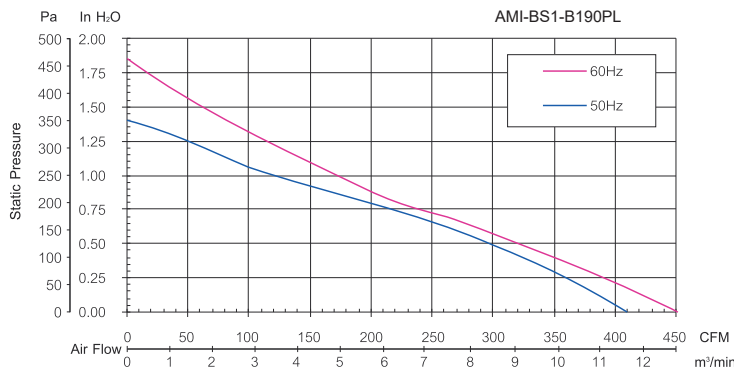


Specifications

Air Flow	410 ~ 450 CFM
Impeller	Plastic PA (Polyamide Glass-fiber Reinforced)
Motor	Capacitor-Run Induction and External Rotor Motor
Rotor	Black Paint
Bearing	Dual Ball Bearing, Permanently Lubricated
Operating Voltage Range	85VAC to 125VAC for 115V Type 185VAC to 245 VAC for 230V Type
Lead Wire	AWG# 20 UL
Insulation	Class "B" or "F"
Safety	Thermally Protected (Auto Restart)
Operating Temperature	-20°C to +70°C
Weight	1790g

Item Code	Rated Voltage	Frequency (Hz)	Rated Current(A)	Input Power(W)	Speed (RPM)	Air Flow (CFM)	Air Flow (m³/min)	Static Pressure (inch-H ₂ O)	Noise dB(A)	Capacitor (µF)
AMI-BS1-BD190PL02	115V	50/60	0.52/0.71	59/79	2500/2650	410/450	11.61/12.74	1.40/1.84	67/69	10µF 200VAC
AMI-BS1-BL190PL02	230V	50/60	0.26/0.35	59/79	2500/2650	410/450	11.61/12.74	1.40/1.84	67/69	2.5µF 400VAC

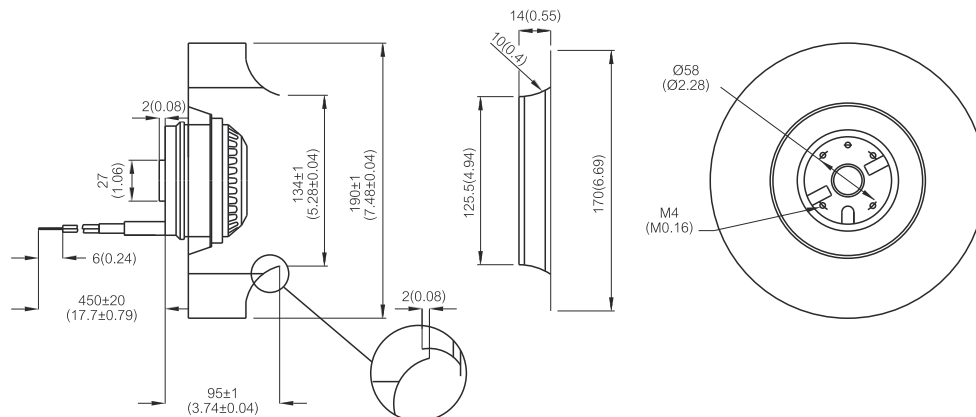
Characteristic Curves:



Approvals:



Outline Drawing: Unit:mm(inch)



AC Centrifugal Fan

AMI-BS1-B220PL Series

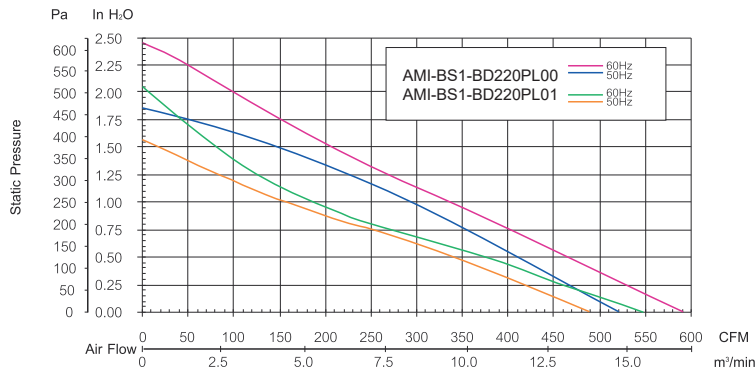
Ø220x71mm



Specifications	
Air Flow	485 ~ 590CFM
Impeller	Plastic PA (Polyamide Glass-fiber Reinforced)
Motor	Capacitor-Run Induction and External Rotor Motor
Rotor	Black Paint
Bearing	Dual Ball Bearing, Permanently Lubricated
Operating Voltage Range	85VAC to 125VAC for 115V Type 185VAC to 245 VAC for 230V Type
Lead Wire	AWG# 20 UL
Insulation	Class "B" or "F"
Safety	Thermally Protected (Auto Restart)
Operating Temperature	1C→ -20°C to +70°C; 2C→ -20°C to +55°C
Weight	1410g

Item Code	Rated Voltage	Frequency (Hz)	Rated Current(A)	Input Power(W)	Speed (RPM)	Air Flow (CFM)	Air Flow (m³/min)	Static Pressure (inch-H ₂ O)	Noise dB(A)	Capacitor (µF)
AMI-BS1-BD220PL00	115V	50/60	0.89/0.92	85/108	2650/3050	515/590	14.58/16.71	1.86/2.46	70/73	10µF 200VAC
AMI-BS1-BL220PL00	230V	50/60	0.39/0.48	85/108	2650/3050	515/590	14.58/16.71	1.86/2.46	70/73	2.5µF 400VAC
AMI-BS1-BD220PL01	115V	50/60	0.77/0.79	82/91	2450/2750	485/545	13.73/15.43	1.57/2.05	66/67	8µF 200VAC
AMI-BS1-BL220PL01	230V	50/60	0.37/0.38	82/91	2450/2750	485/545	13.73/15.43	1.57/2.05	66/67	2µF 400VAC

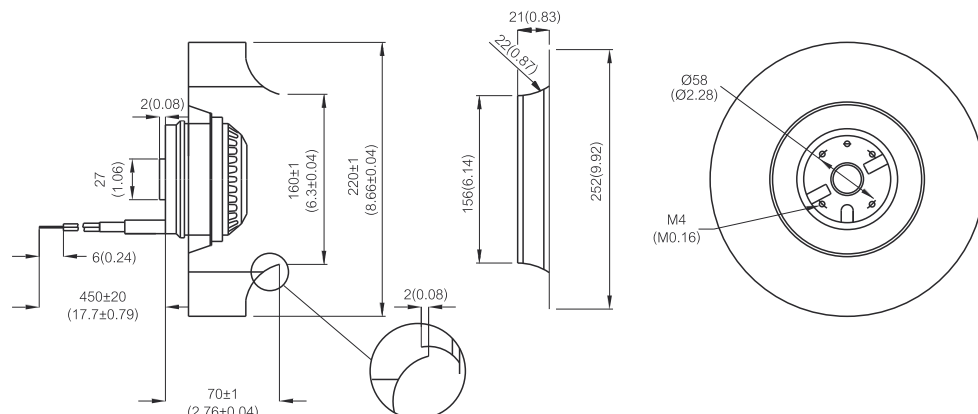
Characteristic Curves:



Approvals:



Outline Drawing: Unit:mm(inch)



AC Centrifugal Fan

AMI-BS1-B225PL Series

Ø225x69mm

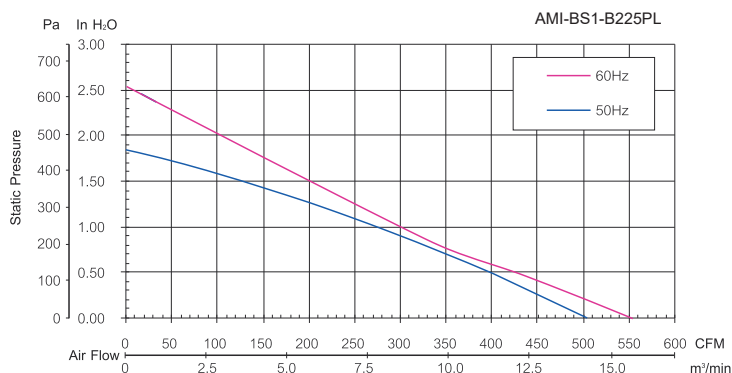


Specifications	
Air Flow	460 ~ 525 CFM
Impeller	Plastic PA (Polyamide Glass-fiber Reinforced)
Motor	Capacitor-Run Induction and External Rotor Motor
Rotor	Black Paint
Bearing	Dual Ball Bearing, Permanently Lubricated
Operating Voltage Range	85VAC to 125VAC for 115V Type 185VAC to 245 VAC for 230V Type
Lead Wire	AWG# 20 UL
Insulation	Class "B" or "F"
Safety	Thermally Protected (Auto Restart)
Operating Temperature	-20°C to +70°C
Weight	1420g

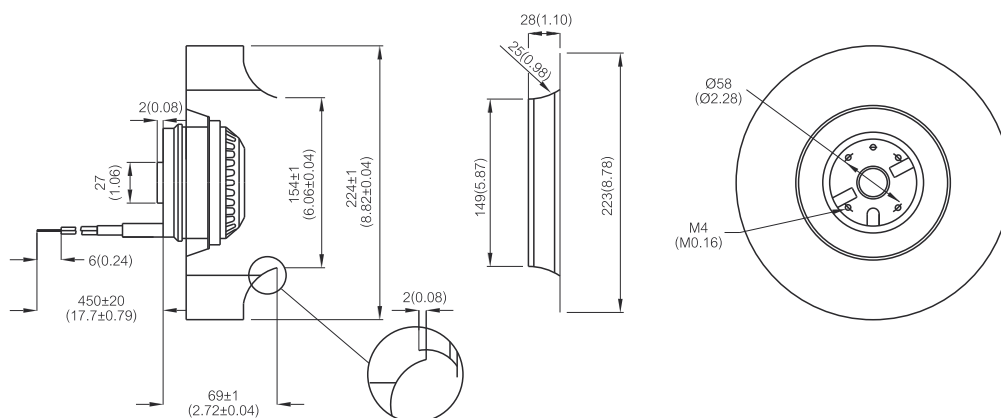
Item Code	Rated Voltage	Frequency (Hz)	Rated Current(A)	Input Power(W)	Speed (RPM)	Air Flow (CFM)	Air Flow (m³/min)	Static Pressure (inch-H ₂ O)	Noise dB(A)	Capacitor (µF)
AMI-BS1-BD225PL00	115V	50/60	0.91/1.03	95/119	2600/3000	460/525	13.03/14.87	1.96/2.67	68/71	12µF 200VAC
AMI-BS1-BL225PL00	230V	50/60	0.46/0.53	95/119	2600/3000	460/525	13.03/14.87	1.96/2.67	68/71	3µF 400VAC

Characteristic Curves:

Approvals:



Outline Drawing: Unit:mm(inch)



AC Centrifugal Fan

AMI-BS1-B225PL Series

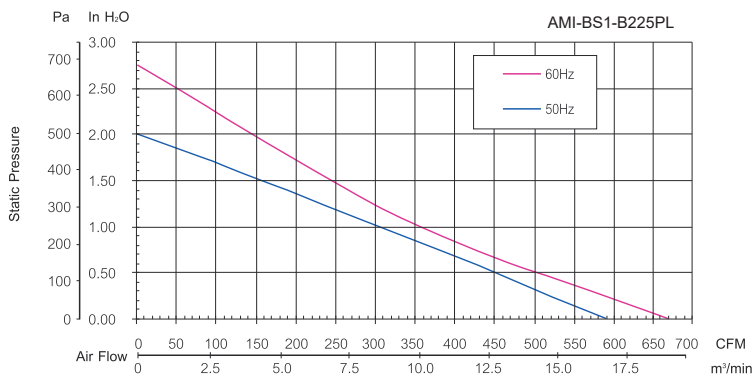
Ø225x85mm



Specifications	
Air Flow	585 ~ 670CFM
Impeller	Plastic PA (Polyamide Glass-fiber Reinforced)
Motor	Capacitor-Run Induction and External Rotor Motor
Rotor	Black Paint
Bearing	Dual Ball Bearing, Permanently Lubricated
Operating Voltage Range	85VAC to 125VAC for 115V Type 185VAC to 245 VAC for 230V Type
Lead Wire	AWG# 20 UL
Insulation	Class "B" or "F"
Safety	Thermally Protected (Auto Restart)
Operating Temperature	-20°C to +70°C
Weight	1960g

Item Code	Rated Voltage	Frequency (Hz)	Rated Current(A)	Input Power(W)	Speed (RPM)	Air Flow (CFM)	Air Flow (m³/min)	Static Pressure (inch-H ₂ O)	Noise dB(A)	Capacitor (µF)
AMI-BS1-BD225PL01	115V	50/60	1.05/1.18	112/137	2600/2950	585/670	16.65/18.97	2.00/2.73	68/70	12µF 200VAC
AMI-BS1-BL225PL01	230V	50/60	0.54/0.60	112/137	2600/2950	585/670	16.65/18.97	2.00/2.73	68/70	3µF 400VAC

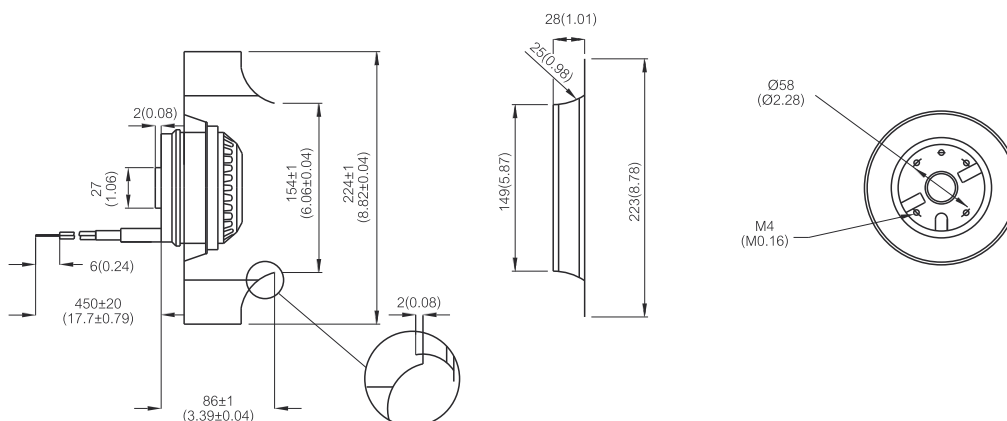
Characteristic Curves:



Approvals:



Outline Drawing: Unit:mm(inch)



AC Centrifugal Fan

AMI-BS1-B225PL Series

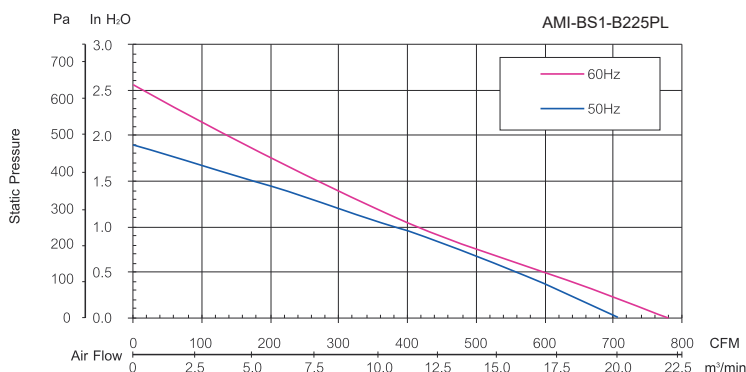
Ø225x99mm



Specifications	
Air Flow	680 ~ 770 CFM
Impeller	Plastic PA (Polyamide Glass-fiber Reinforced)
Motor	Capacitor-Run Induction and External Rotor Motor
Rotor	Black Paint
Bearing	Dual Ball Bearing, Permanently Lubricated
Operating Voltage Range	85VAC to 125VAC for 115V Type 185VAC to 245 VAC for 230V Type
Lead Wire	AWG# 20 UL
Insulation	Class "B" or "F"
Safety	Thermally Protected (Auto Restart)
Operating Temperature	-20°C to +70°C
Weight	2370g

Item Code	Rated Voltage	Frequency (Hz)	Rated Current(A)	Input Power(W)	Speed (RPM)	Air Flow (CFM)	Air Flow (m³/min)	Static Pressure (inch-H ₂ O)	Noise dB(A)	Capacitor (μF)
AMI-BS1-BD225PL02	115V	50/60	1.21/1.47	130/168	2600/2950	680/770	19.25/21.80	2.11/2.86	69/72	16μF 200VAC
AMI-BS1-BL225PL02	230V	50/60	0.59/0.73	130/168	2600/2950	680/770	19.25/21.80	2.11/2.86	69/72	4μF 400VAC

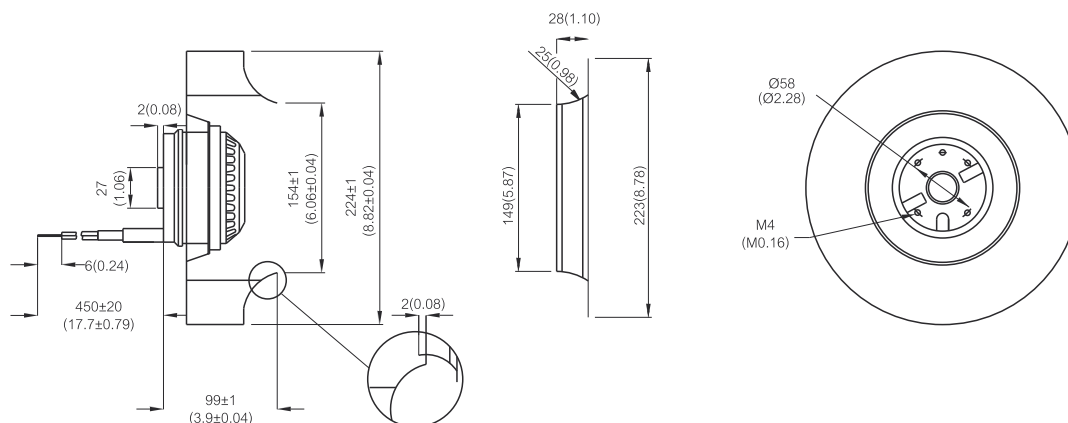
Characteristic Curves:



Approvals:



Outline Drawing: Unit:mm(inch)



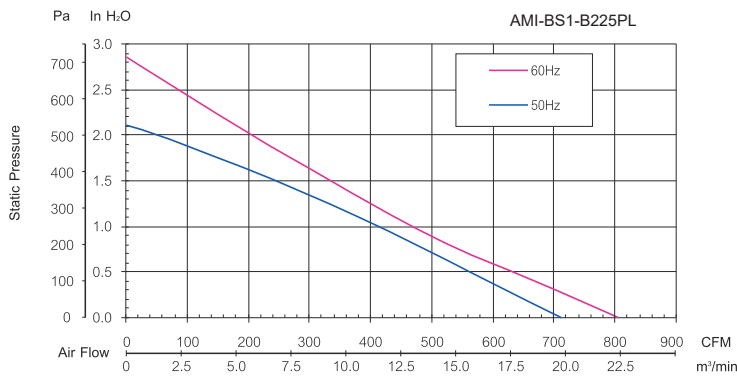
AC Centrifugal Fan
AMI-BS1-B225PL Series
Ø225x107mm



Specifications	
Air Flow	710 ~ 805CFM
Impeller	Plastic PA (Polyamide Glass-fiber Reinforced)
Motor	Capacitor-Run Induction and External Rotor Motor
Rotor	Black Paint
Bearing	Dual Ball Bearing, Permanently Lubricated
Operating Voltage Range	85VAC to 125VAC for 115V Type 185VAC to 245 VAC for 230V Type
Lead Wire	AWG# 20 UL
Insulation	Class "B" or "F"
Safety	Thermally Protected (Auto Restart)
Operating Temperature	-20°C to +70°C
Weight	2370g

Item Code	Rated Voltage	Frequency (Hz)	Rated Current(A)	Input Power(W)	Speed (RPM)	Air Flow (CFM)	Air Flow (m³/min)	Static Pressure (inch-H ₂ O)	Noise dB(A)	Capacitor (µF)
AMI-BS1-BD225PL03	115V	50/60	1.19/1.44	126/164	2600/2950	710/805	20.1/22.79	2.12/2.87	69/73	16µF 200VAC
AMI-BS1-BL225PL03	230V	50/60	0.57/0.72	126/164	2600/2950	710/805	20.1/22.79	2.12/2.87	69/73	4µF 400VAC

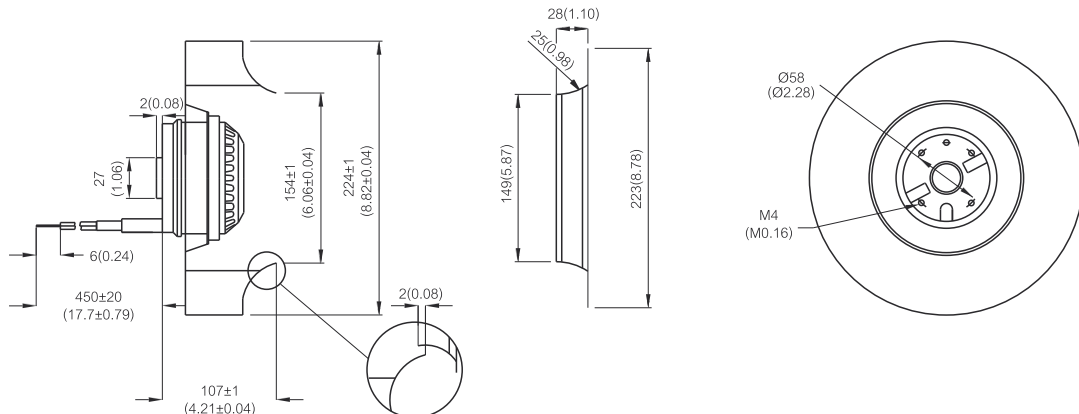
Characteristic Curves:



Approvals:



Outline Drawing: Unit:mm(inch)



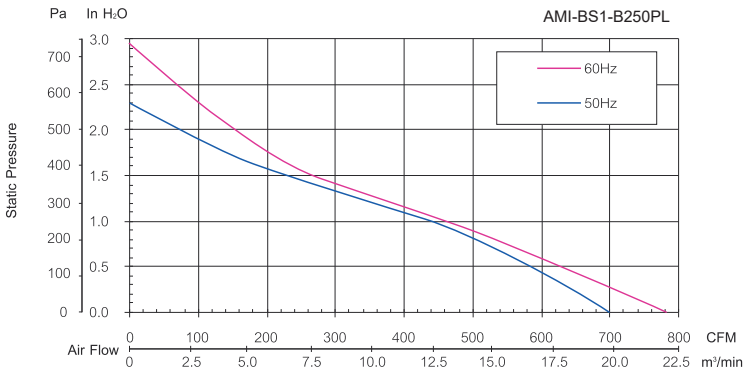
AC Centrifugal Fan
AMI-BS1-B250PL Series
Ø250x89mm



Specifications	
Air Flow	700 ~ 770 CFM
Impeller	Plastic PA (Polyamide Glass-fiber Reinforced)
Motor	Capacitor-Run Induction and External Rotor Motor
Rotor	Black Paint
Bearing	Dual Ball Bearing, Permanently Lubricated
Operating Voltage Range	85VAC to 125VAC for 115V Type 185VAC to 245 VAC for 230V Type
Lead Wire	AWG# 20 UL
Insulation	Class "B" or "F"
Safety	Thermally Protected (Auto Restart)
Operating Temperature	-20°C to +70°C
Weight	2370g

Item Code	Rated Voltage	Frequency (Hz)	Rated Current(A)	Input Power(W)	Speed (RPM)	Air Flow (CFM)	Air Flow (m³/min)	Static Pressure (inch-H₂O)	Noise dB(A)	Capacitor (µF)
AMI-BS1-BD250PL00	115V	50/60	0.99/1.40	113/160	2550/2800	700/770	19.82/21.8	2.29/2.96	70/73	16µF 200VAC
AMI-BS1-BL250PL00	230V	50/60	0.50/0.71	113/160	2550/2800	700/770	19.82/21.8	2.29/2.96	70/73	4µF 400VAC

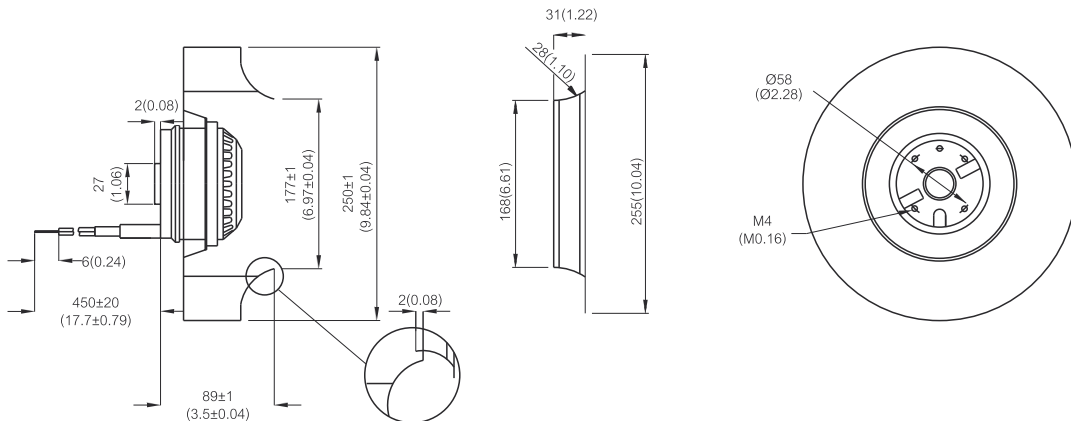
Characteristic Curves:



Approvals:



Outline Drawing: Unit:mm(inch)



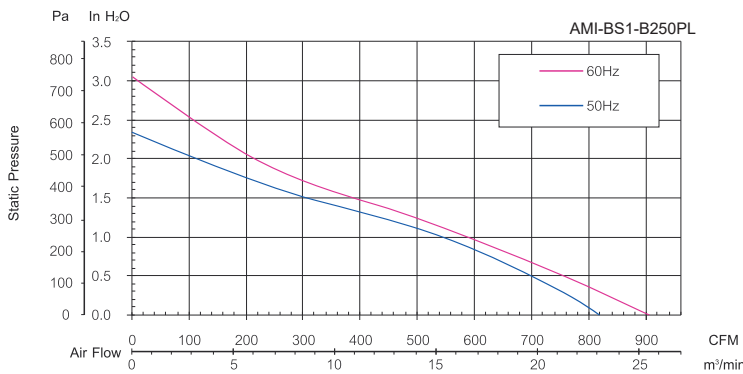
AC Centrifugal Fan
AMI-BS1-B250PL Series
Ø250x99mm



Specifications	
Air Flow	825 ~ 910 CFM
Impeller	Plastic PA (Polyamide Glass-fiber Reinforced)
Motor	Capacitor-Run Induction and External Rotor Motor
Rotor	Black Paint
Bearing	Dual Ball Bearing, Permanently Lubricated
Operating Voltage Range	85VAC to 125VAC for 115V Type 185VAC to 245 VAC for 230V Type
Lead Wire	AWG# 20 UL
Insulation	Class "B" or "F"
Safety	Thermally Protected (Auto Restart)
Operating Temperature	-20°C to +70°C
Weight	2670g

Item Code	Rated Voltage	Frequency (Hz)	Rated Current(A)	Input Power(W)	Speed (RPM)	Air Flow (CFM)	Air Flow (m³/min)	Static Pressure (inch-H ₂ O)	Noise dB(A)	Capacitor (µF)
AMI-BS1-BD250PL01	115V	50/60	1.36/1.93	155/215	2550/2800	825/910	23.36/25.77	2.40/3.09	72/75	20µF 200VAC
AMI-BS1-BL250PL01	230V	50/60	0.67/0.96	155/215	2550/2800	825/910	23.36/25.77	2.40/3.09	74/75	5µF 400VAC

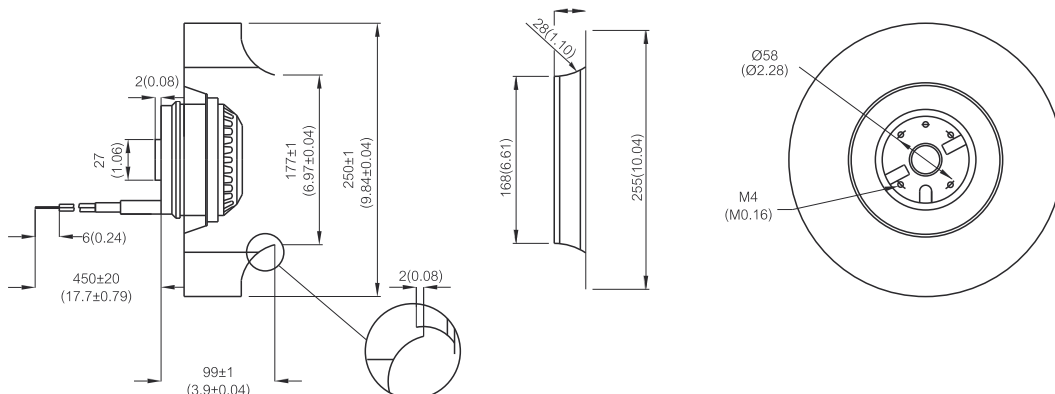
Characteristic Curves:



Approvals:



Outline Drawing: Unit:mm(inch)



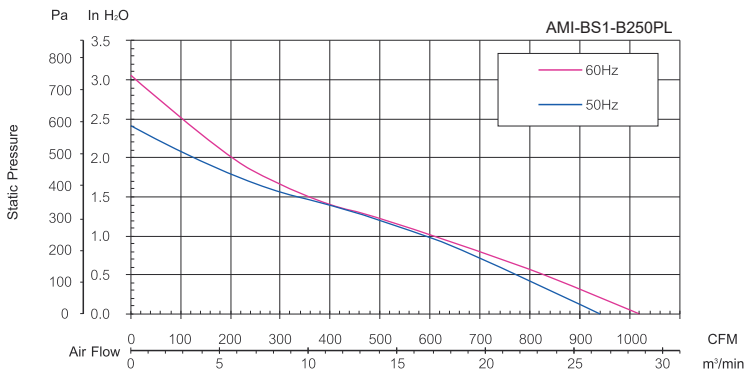
AC Centrifugal Fan
AMI-BS1-B250PL Series
Ø250x112mm



Specifications	
Air Flow	945 ~ 1020 CFM
Impeller	Plastic PA (Polyamide Glass-fiber Reinforced)
Motor	Capacitor-Run Induction and External Rotor Motor
Rotor	Black Paint
Bearing	Dual Ball Bearing, Permanently Lubricated
Operating Voltage Range	85VAC to 125VAC for 115V Type 185VAC to 245 VAC for 230V Type
Lead Wire	AWG# 20 UL
Insulation	Class "B" or "F"
Safety	Thermally Protected (Auto Restart)
Operating Temperature	-20°C to +70°C
Weight	2700g

Item Code	Rated Voltage	Frequency (Hz)	Rated Current(A)	Input Power(W)	Speed (RPM)	Air Flow (CFM)	Air Flow (m³/min)	Static Pressure (inch-H ₂ O)	Noise dB(A)	Capacitor (µF)
AMI-BS1-BD250PL02	115V	50/60	1.46/2.03	170/235	2500/2650	945/1020	26.76/28.88	2.42/3.08	74/75	20µF 200VAC
AMI-BS1-BL250PL02	230V	50/60	0.74/1.04	170/235	2500/2650	945/1020	26.76/28.88	2.42/3.08	74/75	5µF 400VAC

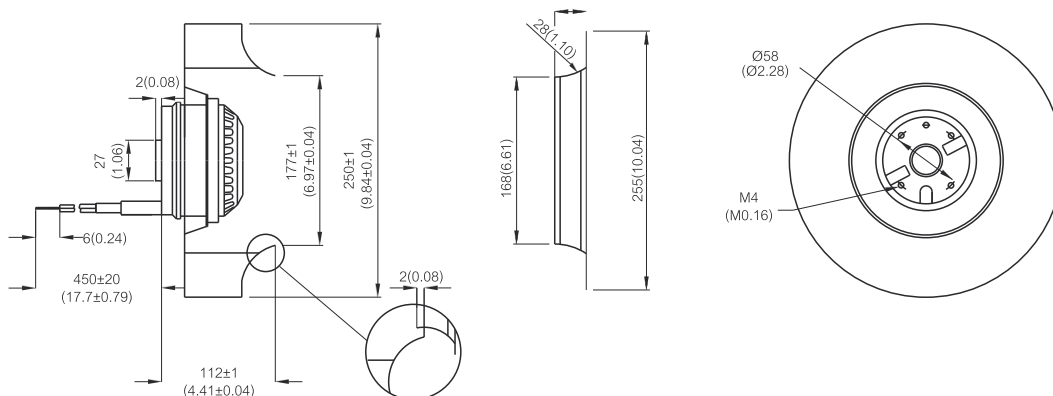
Characteristic Curves:



Approvals:



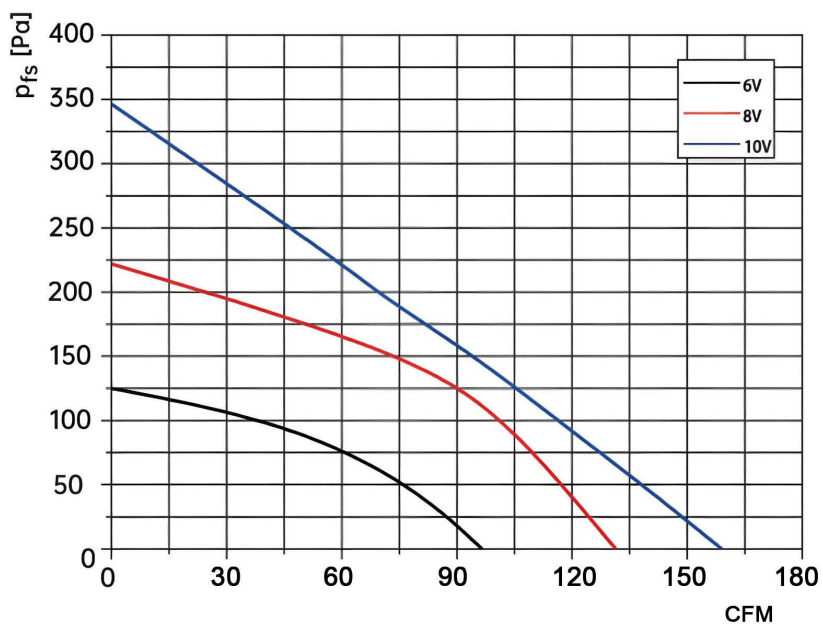
Outline Drawing: Unit:mm(inch)



**DC/EC
BACKWARD
CENTRIFUGAL FANS**

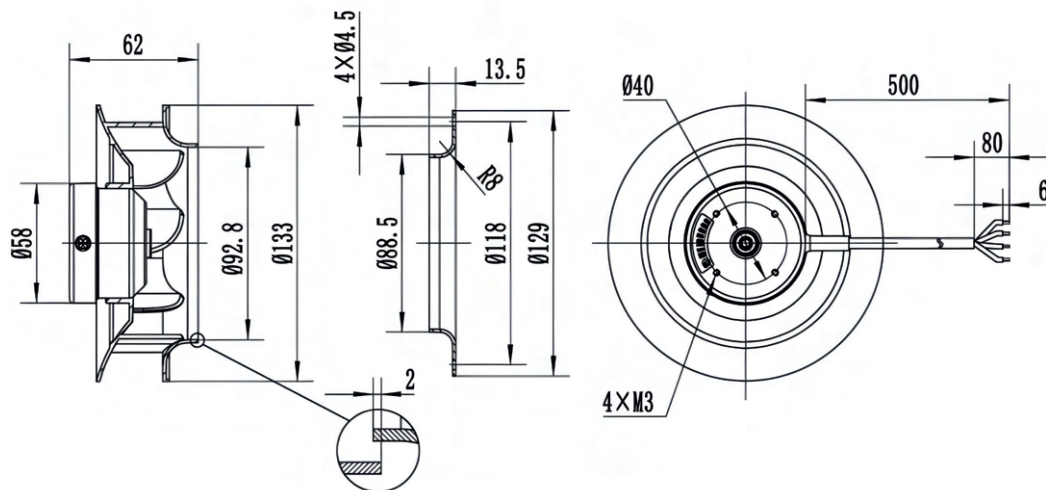
DC CENTRIFUGAL FANS

Φ133 Backward Centrifugal Fans



- **Mode of operation:** S1
- **Control mode:** 0-10V/PWM, RS485(Optional)
- **Insulation:** F
- **Type of protection:** IP42
- **Perm. amb. temp.:** -25~+60°C
- **Impeller material:** Plastic

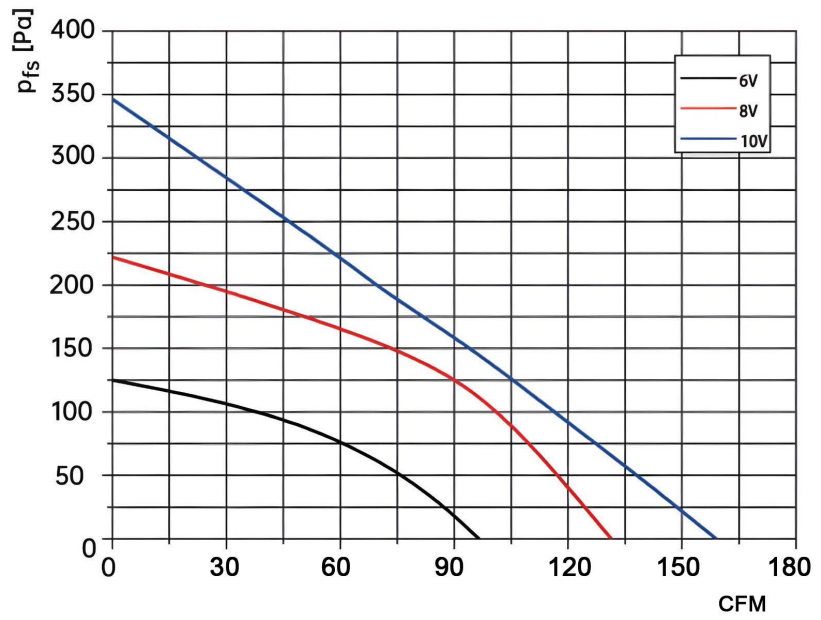
Type	Rated Voltage	Operating Voltage	Current	Power In	Rotating Speed	Noise
	V	V	A	W	RPM	dB(A)
AMI-BS5-FAF133ST00	24	16~28	0.78	18	3200	58



Wiring Table			
Red	Blue	Yellow	White
VDC	GND	0-10VDC/PWM	FG

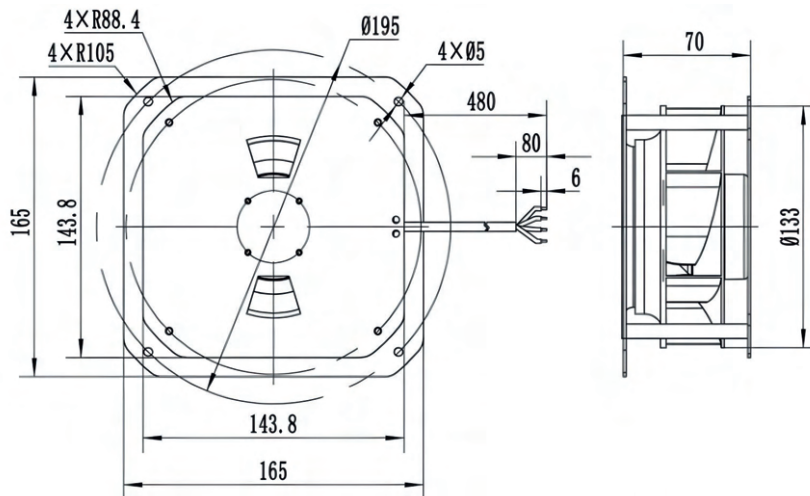
DC CENTRIFUGAL FANS

Φ133 Backward Centrifugal Fans



- Mode of operation: S1
- Control mode: 0-10V/PWM, RS85(Optional)
- Insulation: F
- Type of protection: IP42
- Perm. amb. temp.: -25- +60°C
- Impeller material: Plastic

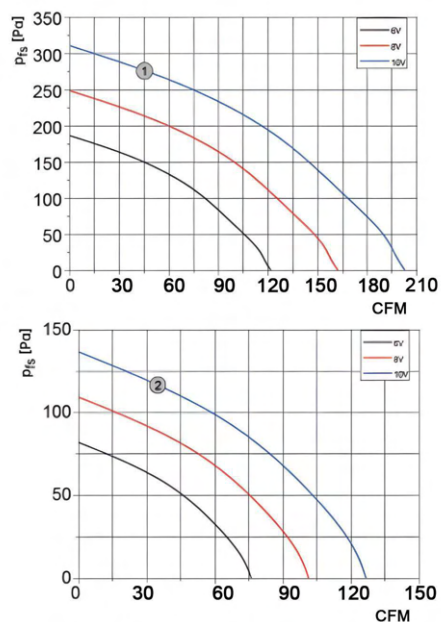
Type	Rated Voltage	Operating Voltage	Current	Power In	Rotating Speed	Noise
	V	V	A	W	RPM	dB(A)
AMI-BS5-FAF133PL01	24	16~28	0.78	18	3200	58



Wiring Table			
Red	Blue	Yellow	White
VDC	GND	0-10VDC/PWM	FG

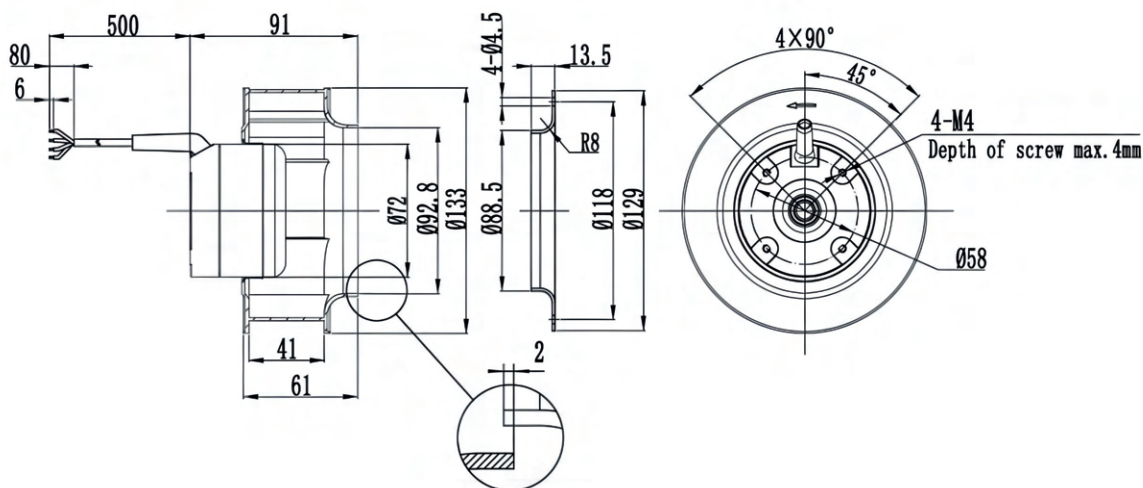
DC CENTRIFUGAL FANS

Φ133 Backward Centrifugal Fans



- Mode of operation: S1
- Control mode: 0-10V/PWM
- Insulation: F
- Type of protection: IP42
- Perm. amb. temp.: -25~ +60°C
- Impeller material: Plastic

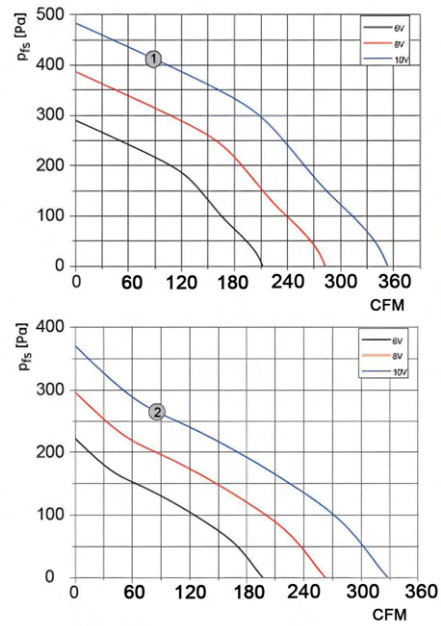
Type	Rated Voltage	Operating Voltage	Current	Power In	Rotating Speed	Noise
	V	V	A	W	RPM	dB(A)
① AMI-BS5-FAE133PL00	48	36~61	0.65	30	3900	63
② AMI-BS5-FAE133PL01	48	36~61	0.21	10	2500	53
① AMI-BS5-FAF133PL00	24	16~28	1.25	30	3900	63
② AMI-BS5-FAF133PL02	24	16~28	0.42	10	2500	53



Wiring Table			
Red	Blue	Yellow	White
VDC	GND	0-10VDC/PWM	FG

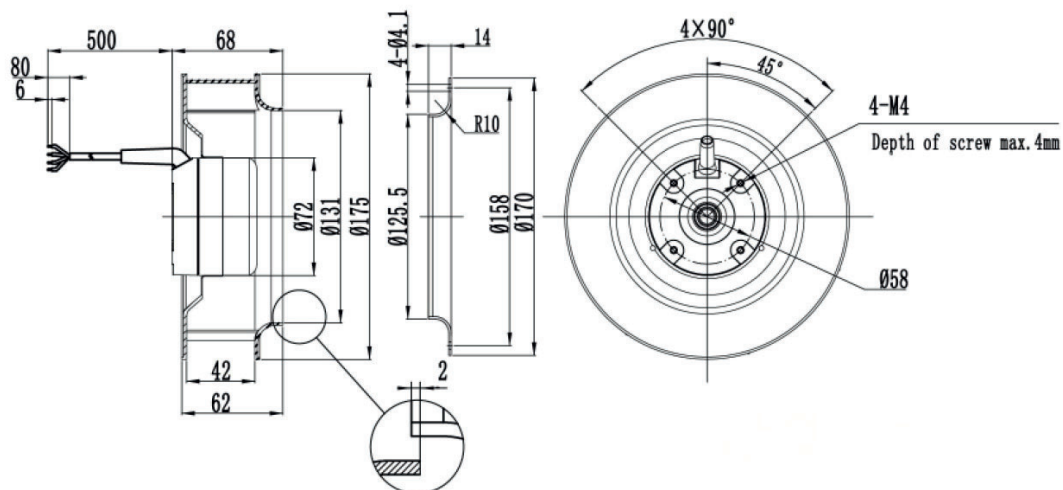
DC CENTRIFUGAL FANS

Φ175 Backward Centrifugal Fans



- **Mode of operation:** S1
- **Control mode:** 0-10V/PWM, RS85(Optional)
- **Insulation:** F
- **Type of protection:** IP42
- **Perm. amb. temp.:** -25- +60°C
- **Impeller material:** Plastic

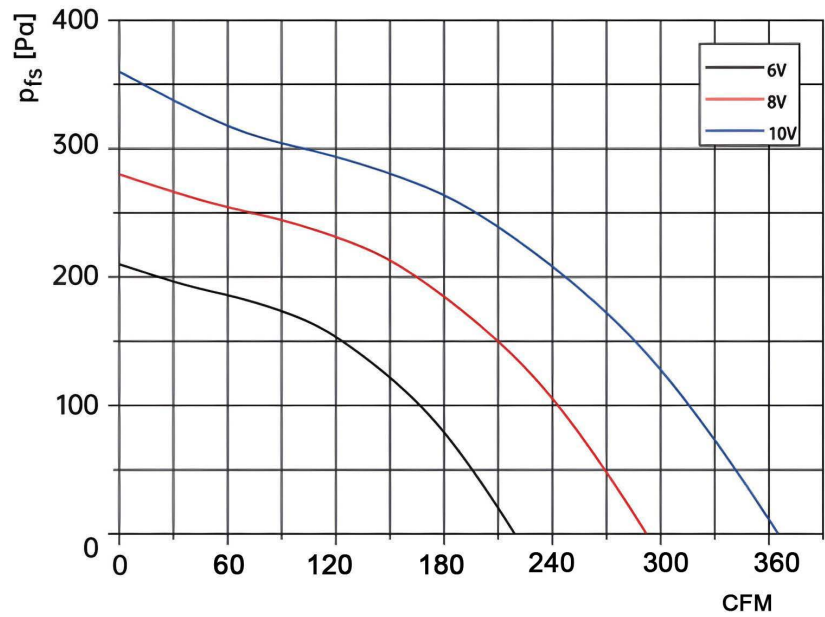
Type	Rated Voltage	Operating Voltage	Current	Power In	Rotating Speed	Noise
	V	V	A	W	RPM	dB(A)
① AMI-BS5-FAE175PL00	48	36~61	1.55	75	3900	72
② AMI-BS5-FAE175PL01	48	36~61	0.73	35	3100	64
③ AMI-BS5-FAF175PL00	24	16~28	3.12	75	3900	72
④ AMI-BS5-FAF175PL01	24	16~28	1.45	35	3100	64



Wiring Table			
Red	Blue	Yellow	White
VDC	GND	0-10VDC/PWM	FG

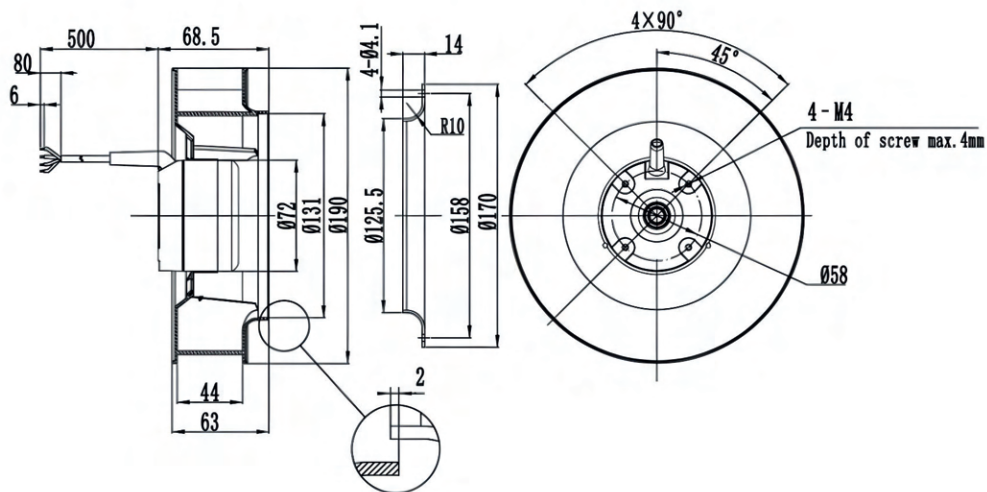
DC CENTRIFUGAL FANS

Φ190 Backward Centrifugal Fans



- Mode of operation: S1
- Control mode: 0-10V/PWM
- Insulation: F
- Type of protection: IP42
- Perm. amb. temp.: -25~ +60°C
- Impeller material: Plastic

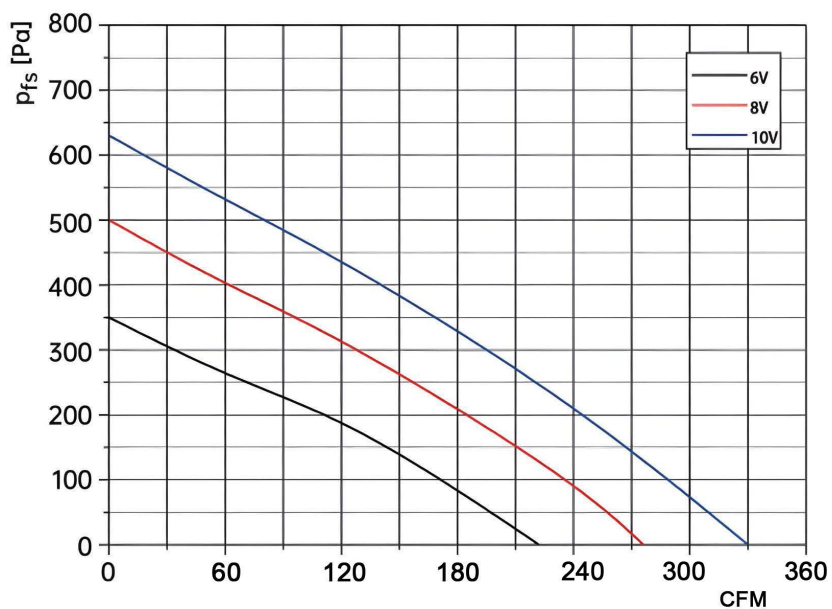
Type	Rated Voltage	Operating Voltage	Current	Power In	Rotating Speed	Noise
	V	V	A	W	RPM	dB(A)
AMI-BS5-FAE190PL00	48	36~61	1.1	51	2950	68
AMI-BS5-FAF190PL00	24	16~28	2.1	51	2950	68



Wiring Table			
Red	Blue	Yellow	White
VDC	GND	0-10VDC/PWM	FG

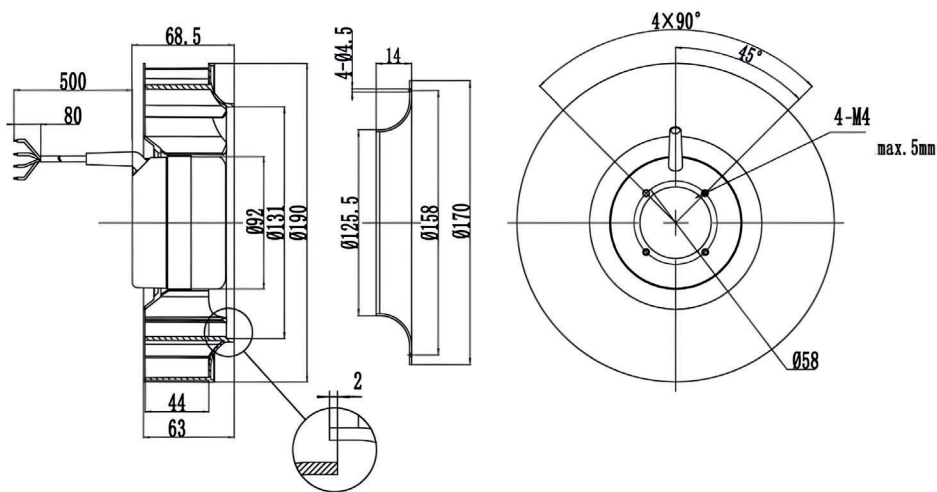
DC CENTRIFUGAL FANS

Φ190 Backward Centrifugal Fans



- Mode of operation: S1
- Control mode: 0-10V/PWM, RS85(Optional)
- Insulation: F
- Type of protection: IP42
- Perm. amb. temp.: -25- +60°C
- Impeller material: Plastic

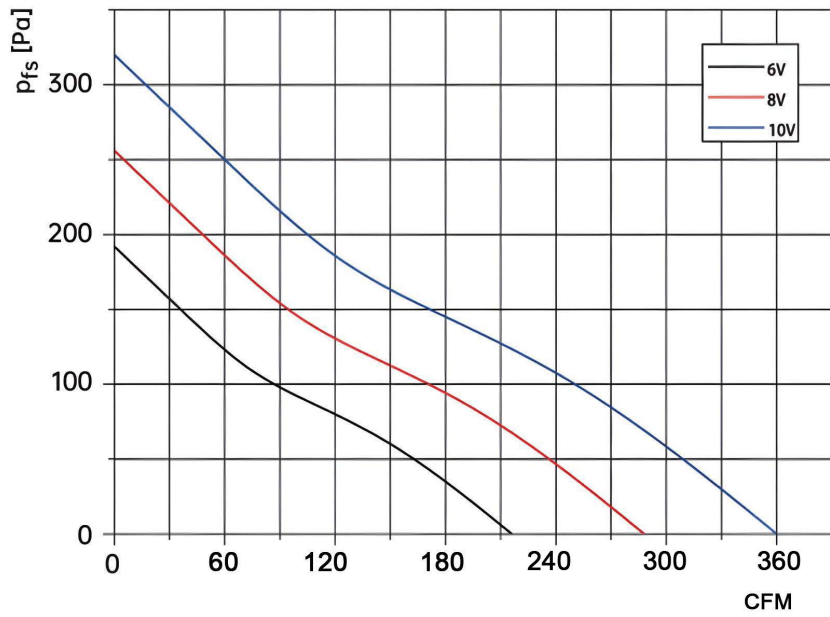
Type	Rated Voltage	Operating Voltage	Current	Power In	Rotating Speed	Noise
	V	V	A	W	RPM	dB(A)
AMI-BS5-FAF190PL01	24	16~28	3.3	80	3200	68
AMI-BS5-FAE190PL01	48	36~61	1.15	80	3200	68



Wiring Table			
Red	Blue	Yellow	White
VDC	GND	0-10VDC/PWM	FG

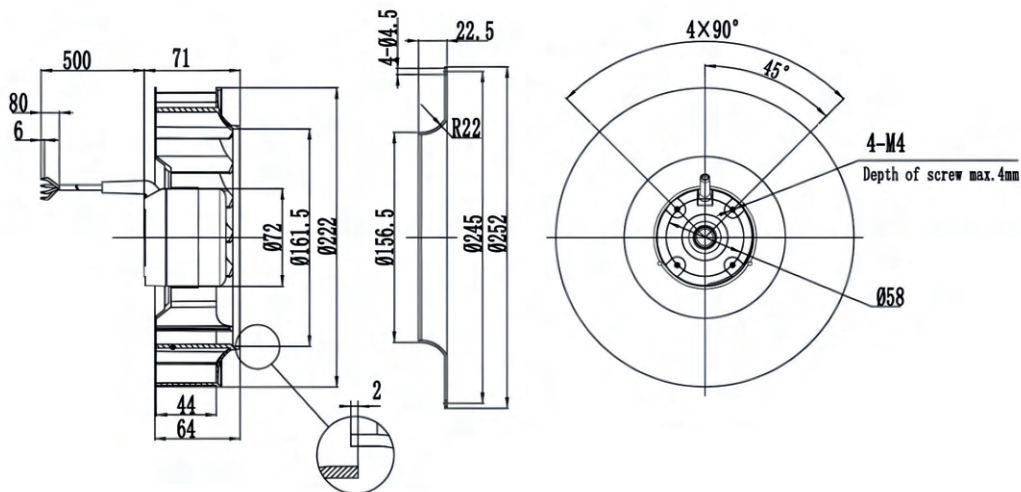
DC CENTRIFUGAL FANS

Φ220 Backward Centrifugal Fans



- Mode of operation: S1
- Control mode: 0-10V/PWM
- Insulation: F
- Type of protection: IP42
- Perm. amb. temp.: -25~ +60°C
- Impeller material: Plastic

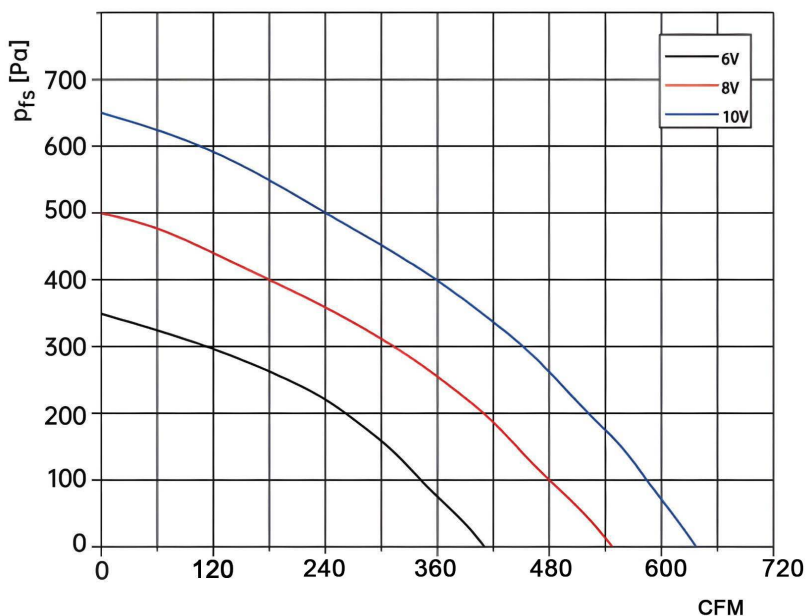
Type	Rated Voltage	Operating Voltage	Current	Power In	Rotating Speed	Noise
	V	V	A	W	RPM	dB(A)
AMI-B55-FAE220PL00	48	36~61	1.25	60	2500	65
AMI-B55-FAF220PL00	24	16~28	2.5	60	2500	65



Wiring Table			
Red	Blue	Yellow	White
VDC	GND	0-10VDC/PWM	FG

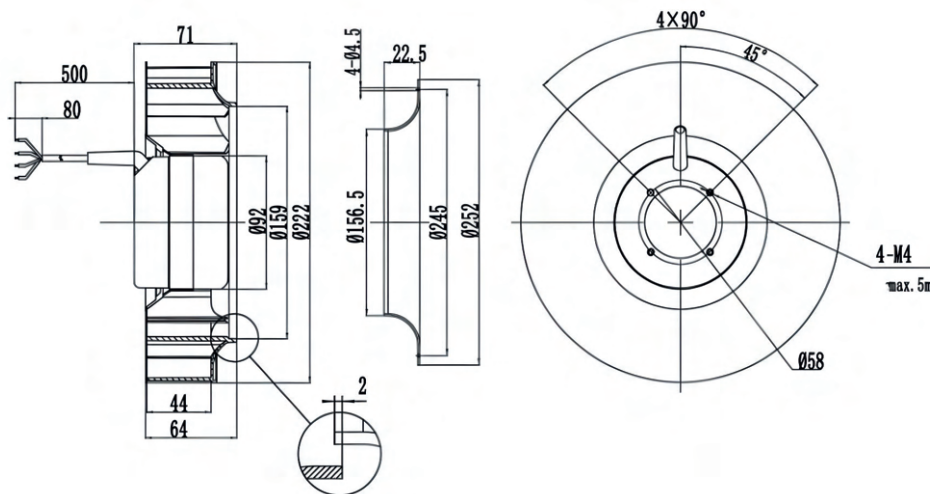
DC CENTRIFUGAL FANS

Φ220 Backward Centrifugal Fans



- Mode of operation: S1
- Control mode: 0-10V/PWM, RS85(Optional)
- Insulation: F
- Type of protection: IP42
- Perm. amb. temp.: -25- +60°C
- Impeller material: Plastic

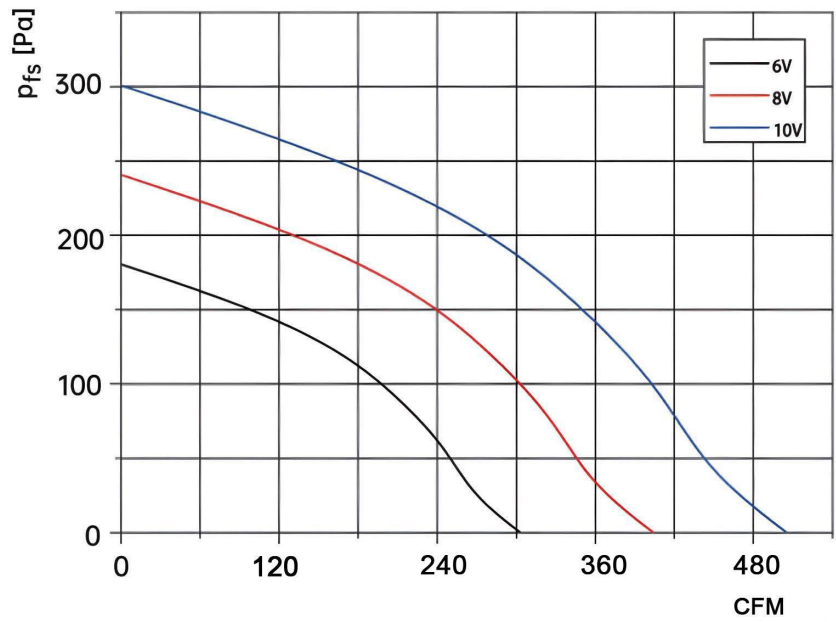
Type	Rated Voltage	Operating Voltage	Current	Power In	Rotating Speed	Noise
	V	V	A	W	RPM	dB(A)
AMI-BS5-FAF225PL01	24	16~28	4.6	110	3100	72
AMI-BS5-FAE225PL01	48	36~61	2.3	110	3100	72



Wiring Table			
Red	Blue	Yellow	White
VDC	GND	0-10VDC/PWM	FG

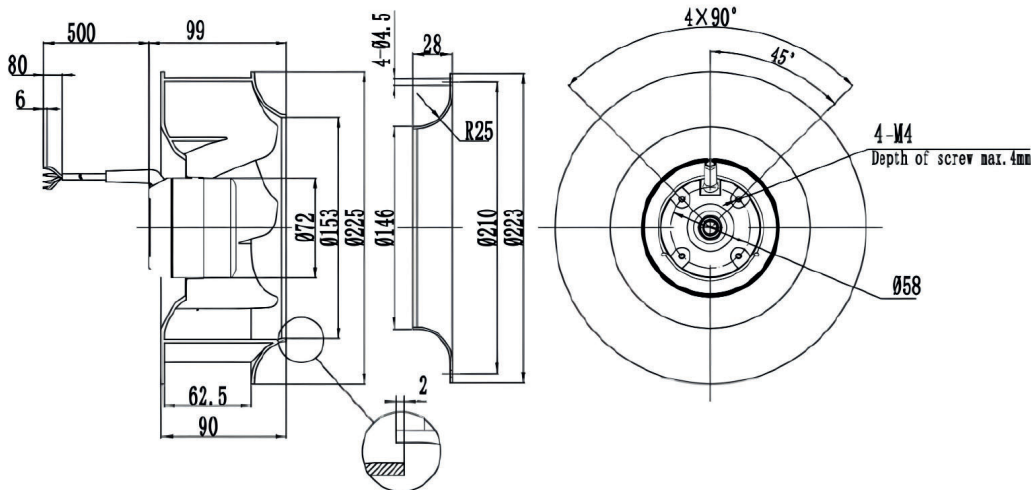
DC CENTRIFUGAL FANS

Φ225 Backward Centrifugal Fans



- Mode of operation: S1
- Control mode: 0-10V/PWM
- Insulation: F
- Type of protection: IP42
- Perm. amb. temp.: -25~ +60°C
- Impeller material: Plastic

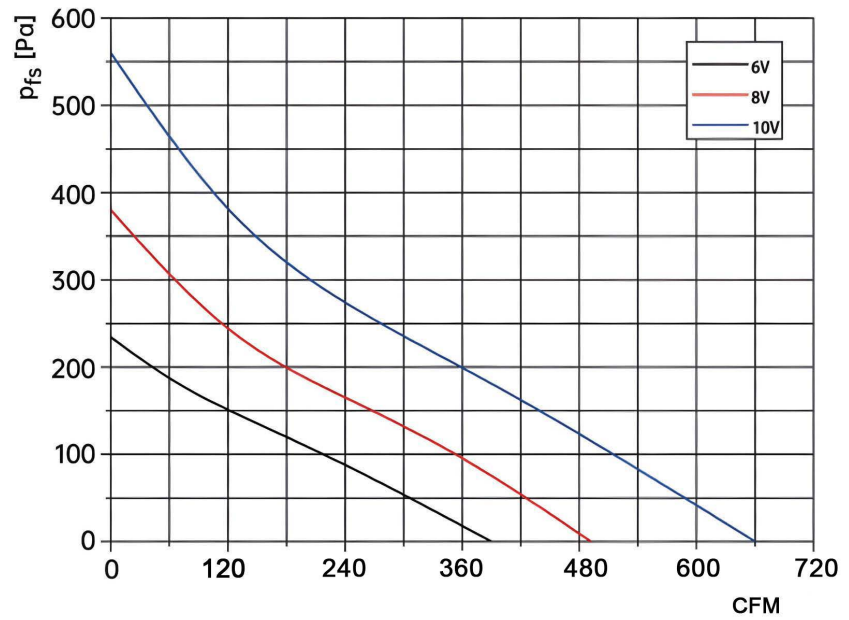
Type	Rated Voltage	Operating Voltage	Current	Power In	Rotating Speed	Noise
	V	V	A	W	RPM	dB(A)
AMI-BS5-FAE225PL02	48	36~61	1.15	55	2000	65
AMI-BS5-FAF225PL02	24	16~28	2.3	55	2000	65



Wiring Table			
Red	Blue	Yellow	White
VDC	GND	0-10VDC/PWM	FG

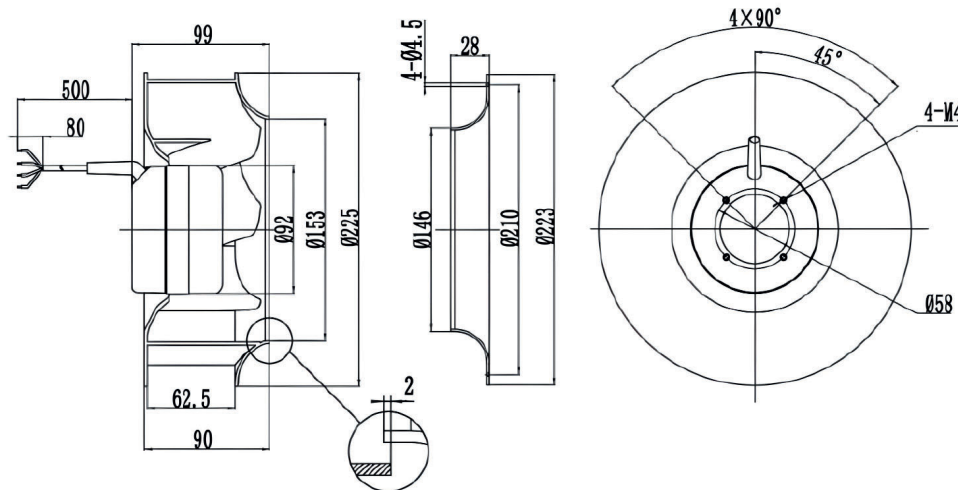
DC CENTRIFUGAL FANS

Φ225 Backward Centrifugal Fans



- Mode of operation: S1
- Control mode: 0-10V/PWM, RS85(Optional)
- Insulation: F
- Type of protection: IP42
- Perm. amb. temp.: -25- +60°C
- Impeller material: Plastic

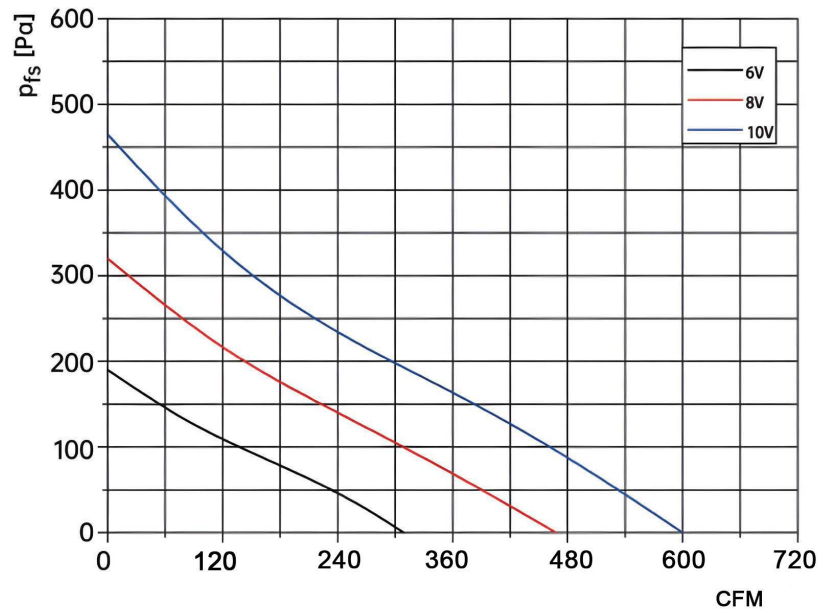
Type	Rated Voltage	Operating Voltage	Current	Power In	Rotating Speed	Noise
	V	V	A	W	RPM	dB(A)
AMI-BS5-FAF225PL03	24	16~28	4.2	100	2700	70
AMI-BS5-FAE225PL03	48	36~61	1.9	95	2700	69



Wiring Table			
Red	Blue	Yellow	White
VDC	GND	0-10VDC/PWM	FG

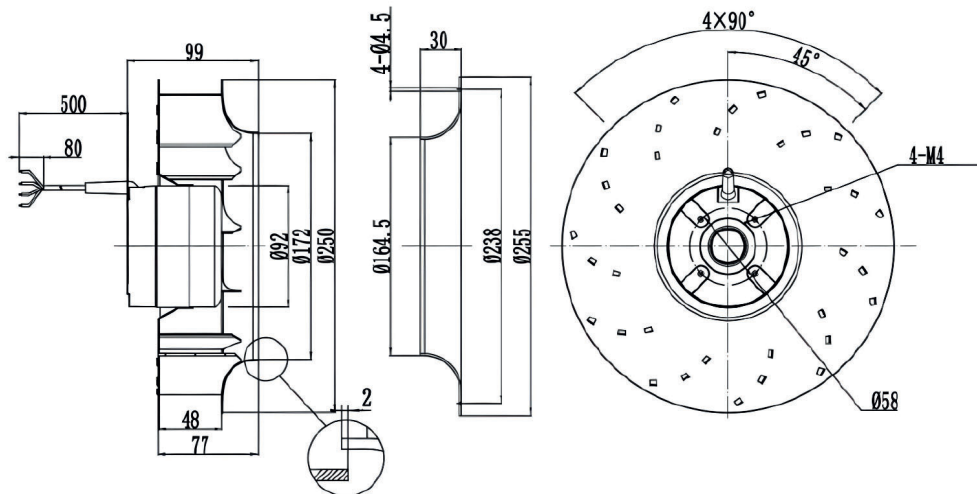
DC CENTRIFUGAL FANS

Φ250 Backward Centrifugal Fans



- Mode of operation: S1
- Control mode: 0-10V/PWM
- Insulation: F
- Type of protection: IP42
- Perm. amb. temp.: -25~ +60°C
- Impeller material: Steel

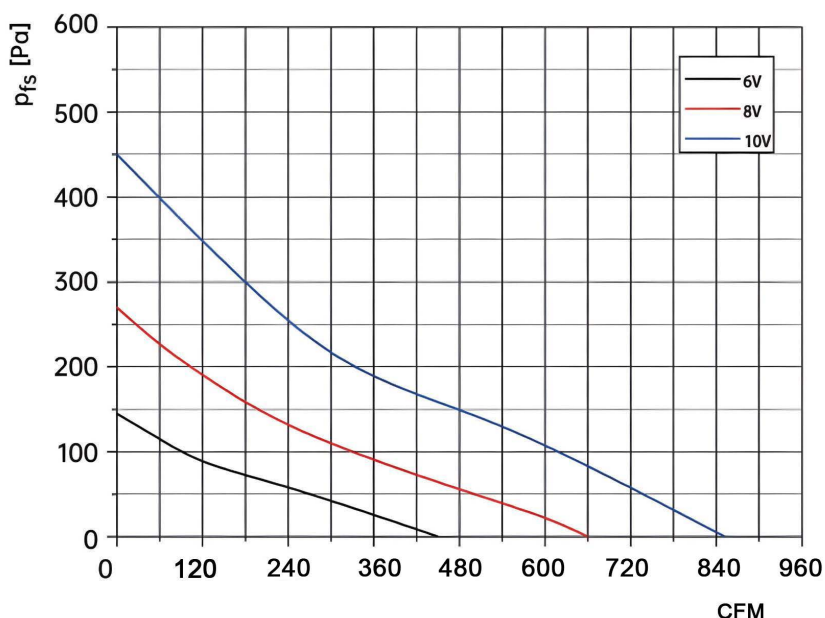
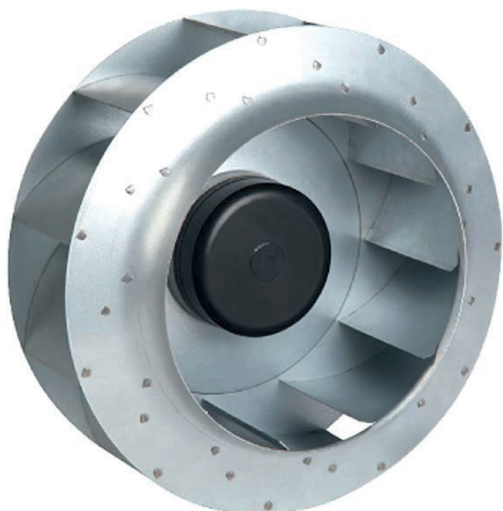
Type	Rated Voltage	Operating Voltage	Current	Power In	Rotating Speed	Noise
	V	V	A	W	RPM	dB(A)
AMI-BS5-FAF250ST00	24	16~28	4.16	100	2600	72
AMI-BS5-FAE250ST00	48	36~61	2.08	100	2600	72



Wiring Table			
Red	Blue	Yellow	White
VDC	GND	0-10VDC/PWM	FG

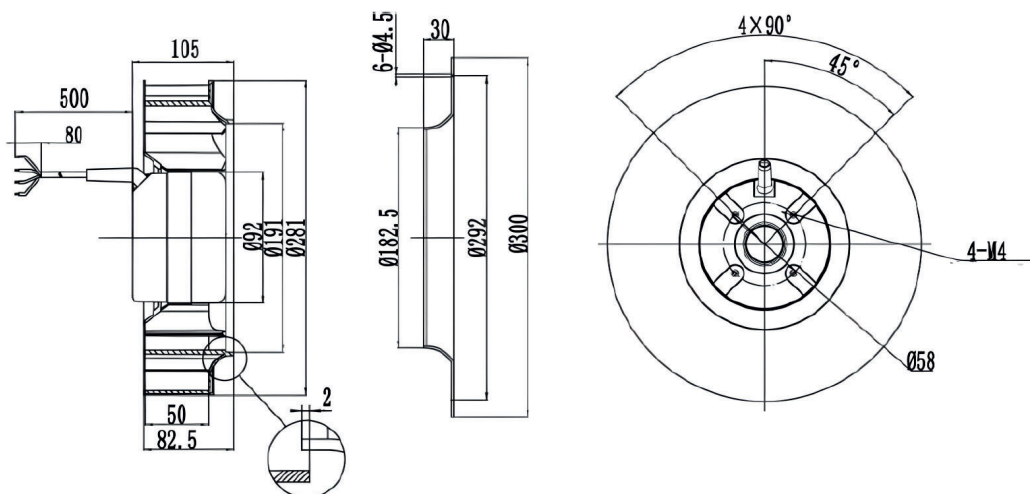
DC CENTRIFUGAL FANS

Φ280 Backward Centrifugal Fans



- Mode of operation: S1
- Control mode: 0-10V/PWM, RS85(Optional)
- Insulation: F
- Type of protection: IP42
- Perm. amb. temp.: -25- +60°C
- Impeller material: Steel

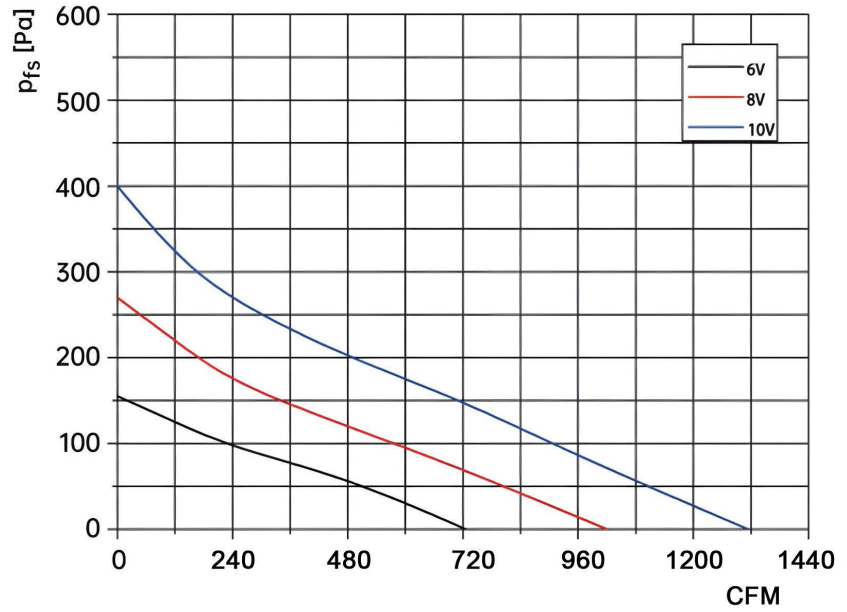
Type	Rated Voltage	Operating Voltage	Current	Power In	Rotating Speed	Noise
	V	V	A	W	RPM	dB(A)
AMI-BS5-FAF280ST00	24	16~28	4.4	105	2200	70
AMI-BS5-FAE280ST00	48	36~61	2.2	105	2200	70



Wiring Table			
Red	Blue	Yellow	White
VDC	GND	0-10VDC/PWM	FG

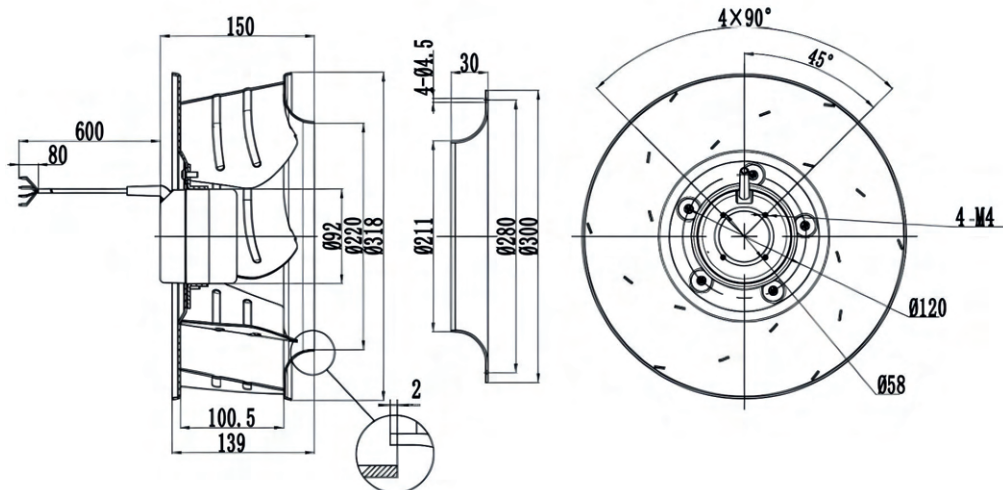
DC CENTRIFUGAL FANS

Φ310 Backward Centrifugal Fans



- Mode of operation: S1
- Control mode: 0-10V/PWM
- Insulation: F
- Type of protection: IP42
- Perm. amb. temp.: -25~ +60°C
- Impeller material: Aluminum

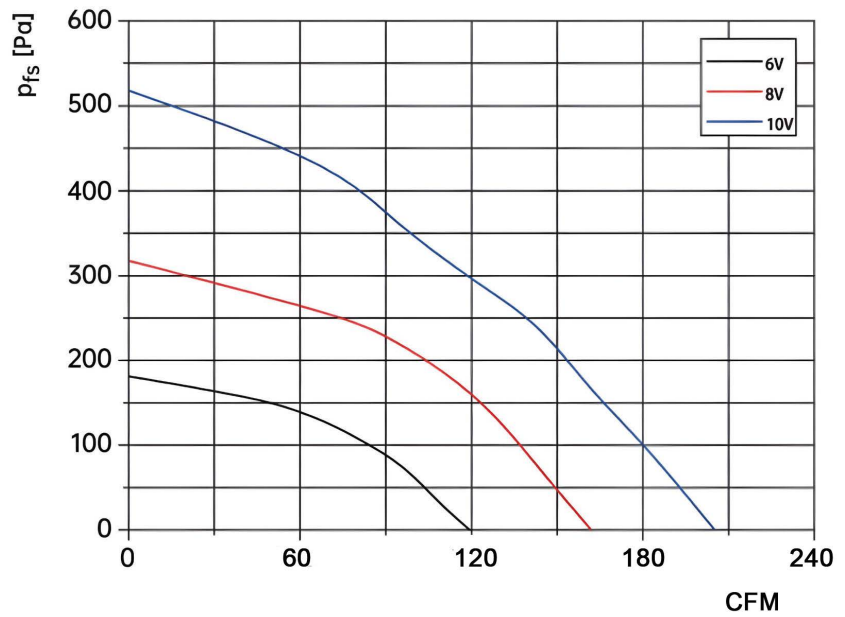
Type	Rated Voltage	Operating Voltage	Current	Power In	Rotating Speed	Noise
	V	V	A	W	RPM	dB(A)
AMI-BS5-FAF310AL00	24	16~28	5.0	120	1600	70
AMI-BS5-FAE310AL00	48	36~61	2.5	120	1600	70



Wiring Table			
Red	Blue	Yellow	White
VDC	GND	0-10VDC/PWM	FG

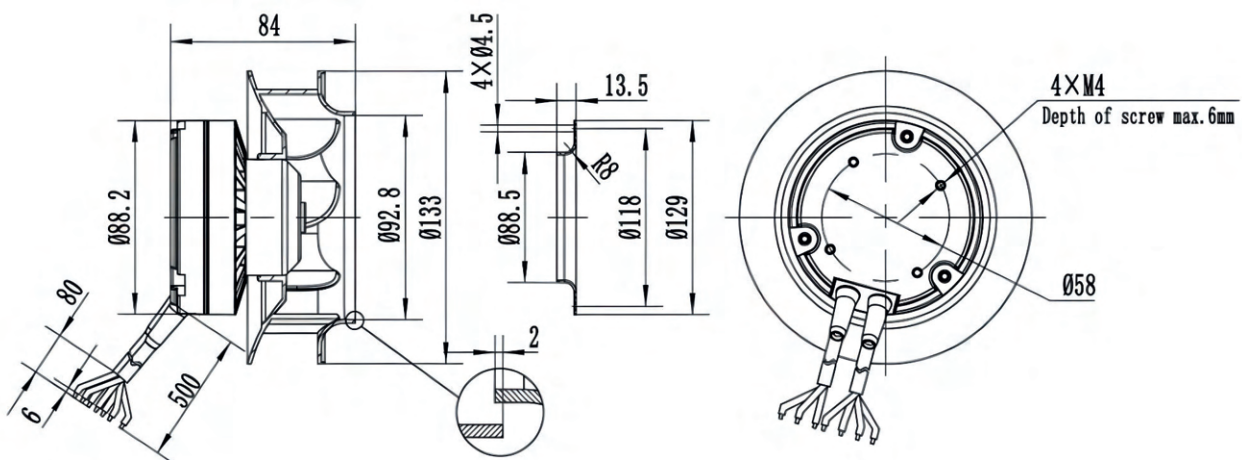
EC CENTRIFUGAL FANS

Φ133 Backward Centrifugal Fans



- Mode of operation: S1
- Control mode: 0-10V/PWM, RS85(Optional)
- Insulation: F
- Type of protection: IP42
- Perm. amb. temp.: -25- +60°C
- Impeller material: Plastic

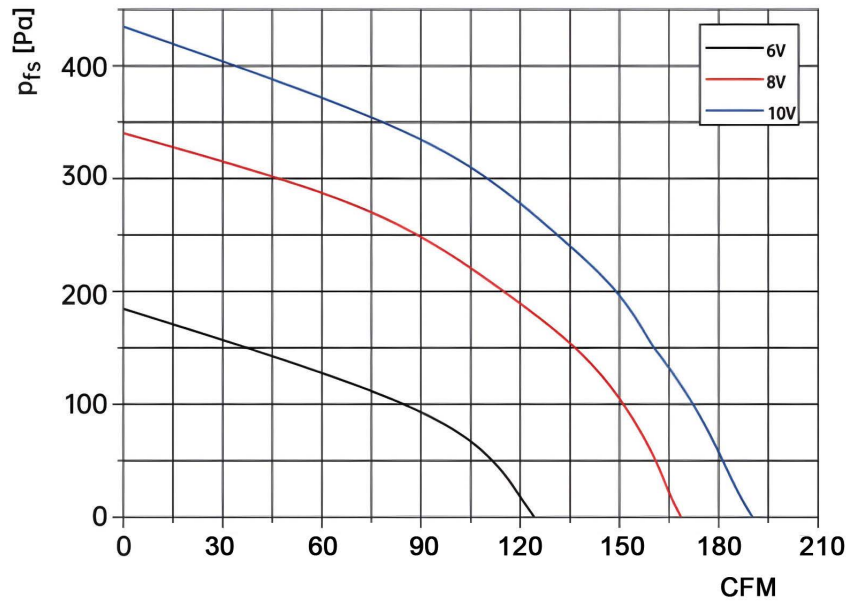
Type	Rated Voltage	Operating Voltage	Current	Power In	Rotating Speed	Noise
	V	V	A	W	RPM	dB(A)
AMI-BS5-FAM133PL00	230	200~277	0.35	49.5	4270	70



Wiring Table						
Brown	Blue	Yellow/Green	Red	Blue	Yellow	White
L	N	PE	VDC	GND	0-10VDC/PWM	FG

EC CENTRIFUGAL FANS

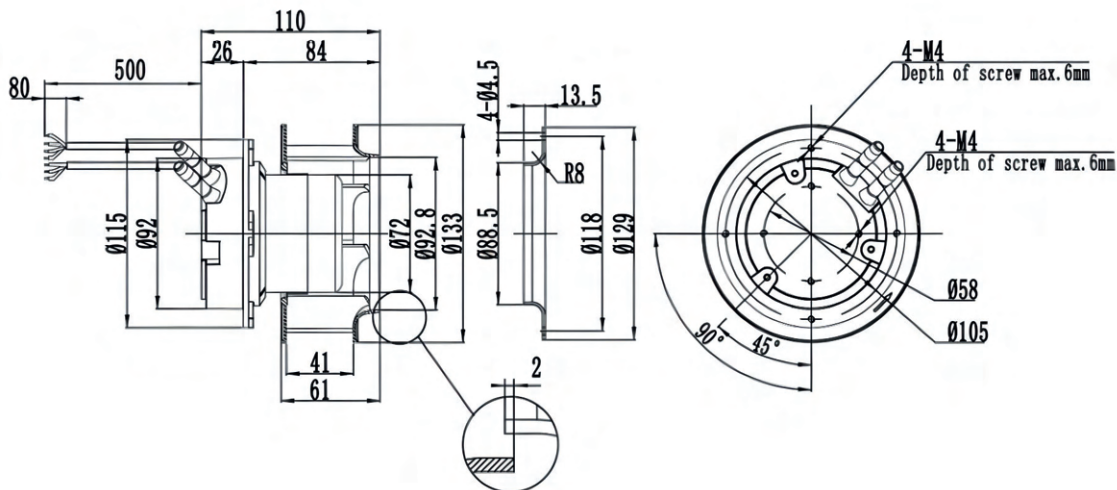
Φ133 Backward Centrifugal Fans



Approvals:

- Mode of operation: S1
- Control mode: 0-10V/PWM
- Insulation: F
- Type of protection: IP42
- Perm. amb. temp.: -25~ +60°C
- Impeller material: Plastic

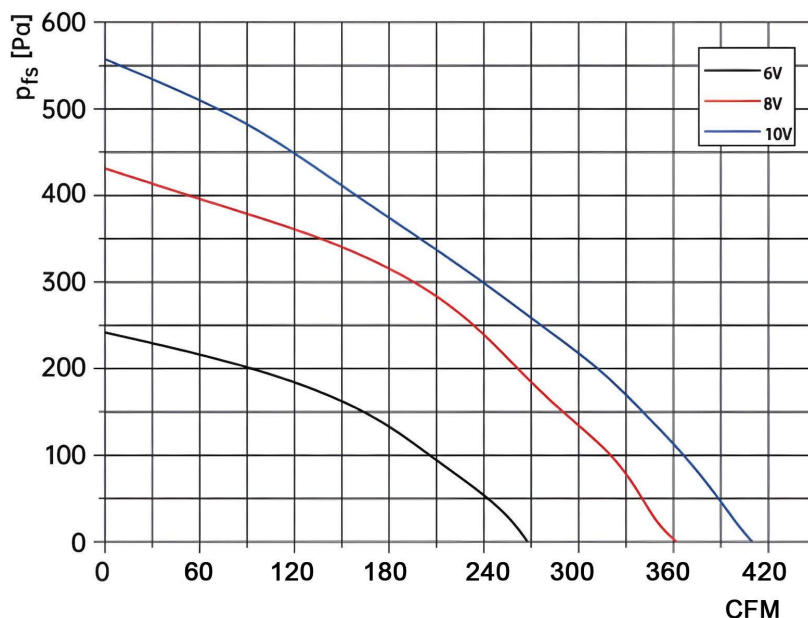
Type	Rated Voltage	Operating Voltage	Current	Power In	Rotating Speed	Noise
	V	V	A	W	RPM	dB(A)
AMI-BS5-FAM133PL01	230	200~277	0.35	43	4480	75



Wiring Table						
Brown	Blue	Yellow/Green	Red	Blue	Yellow	White
L	N	PE	VDC	GND	0-10VDC/PWM	FG

EC CENTRIFUGAL FANS

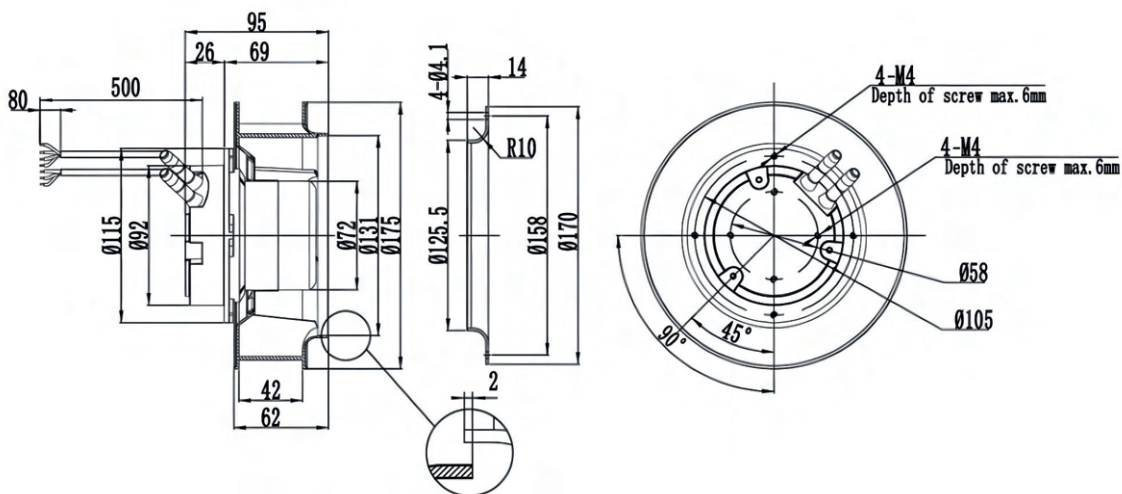
Φ175 Backward Centrifugal Fans



Approvals:

- Mode of operation: S1
- Control mode: 0-10V/PWM, RS85(Optional)
- Insulation: F
- Type of protection: IP42
- Perm. amb. temp.: -25- +60°C
- Impeller material: Plastic

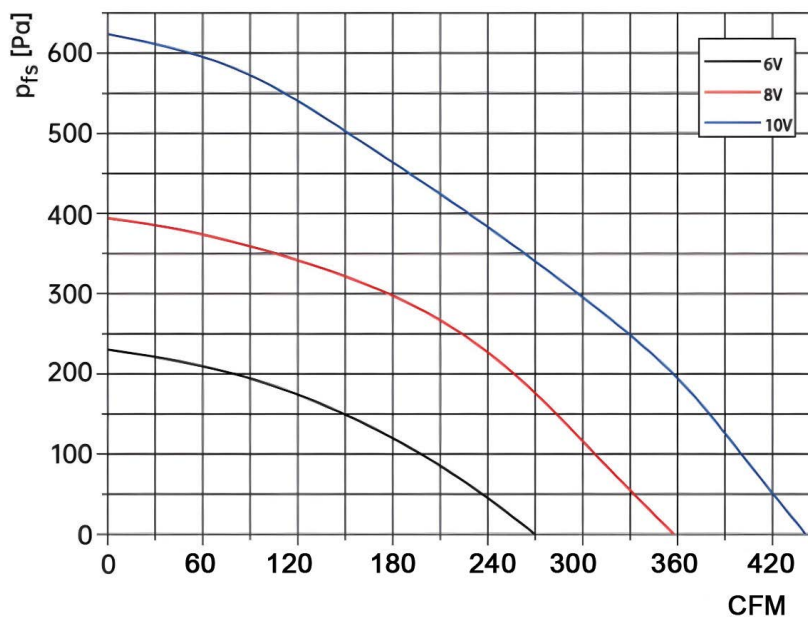
Type	Rated Voltage	Operating Voltage	Current	Power In	Rotating Speed	Noise
	V	V	A	W	RPM	dB(A)
AMI-BS5-FAM175PL00	230	200~277	0.6	78	4070	78



Wiring Table						
Brown	Blue	Yellow/Green	Red	Blue	Yellow	White
L	N	PE	VDC	GND	0-10VDC/PWM	FG

EC CENTRIFUGAL FANS

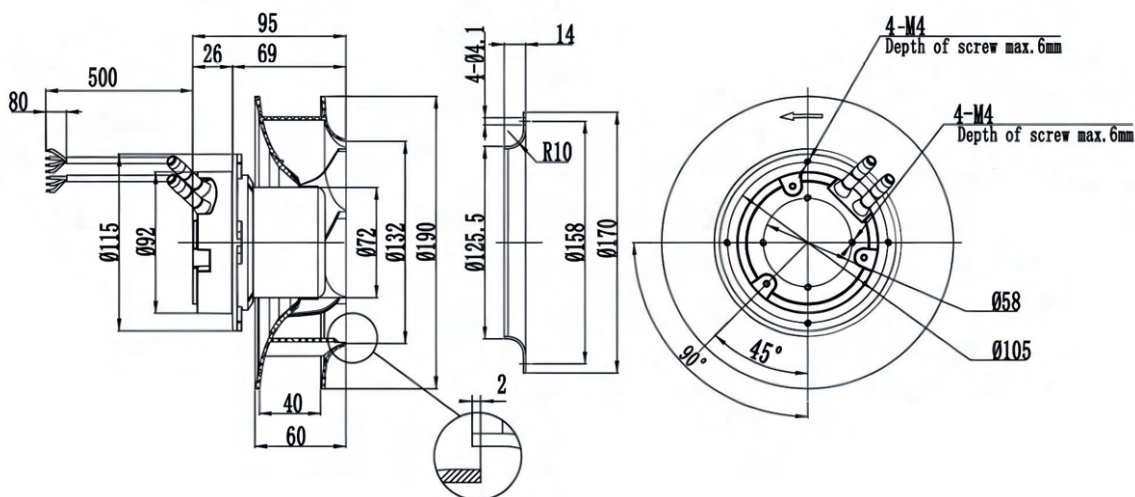
Φ190 Backward Centrifugal Fans



Approvals:

- Mode of operation: S1
- Control mode: 0-10V/PWM
- Insulation: F
- Type of protection: IP42
- Perm. amb. temp.: -25~ +60°C
- Impeller material: Plastic

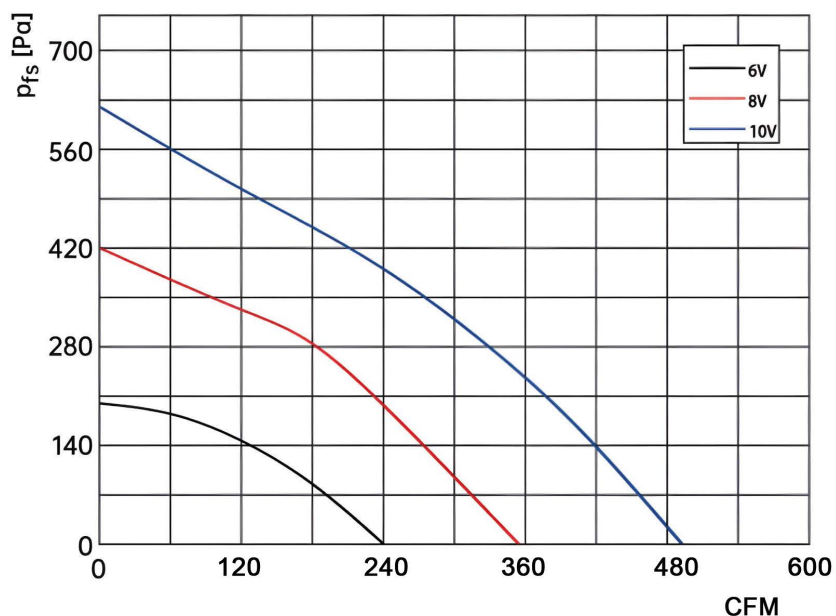
Type	Rated Voltage	Operating Voltage	Current	Power In	Rotating Speed	Noise
	V	V	A	W	RPM	dB(A)
AMI-BS5-FAM190PL00	230	200~277	0.6	80	3600	75



Wiring Table						
Brown	Blue	Yellow/Green	Red	Blue	Yellow	White
L	N	PE	VDC	GND	0-10VDC/PWM	FG

EC CENTRIFUGAL FANS

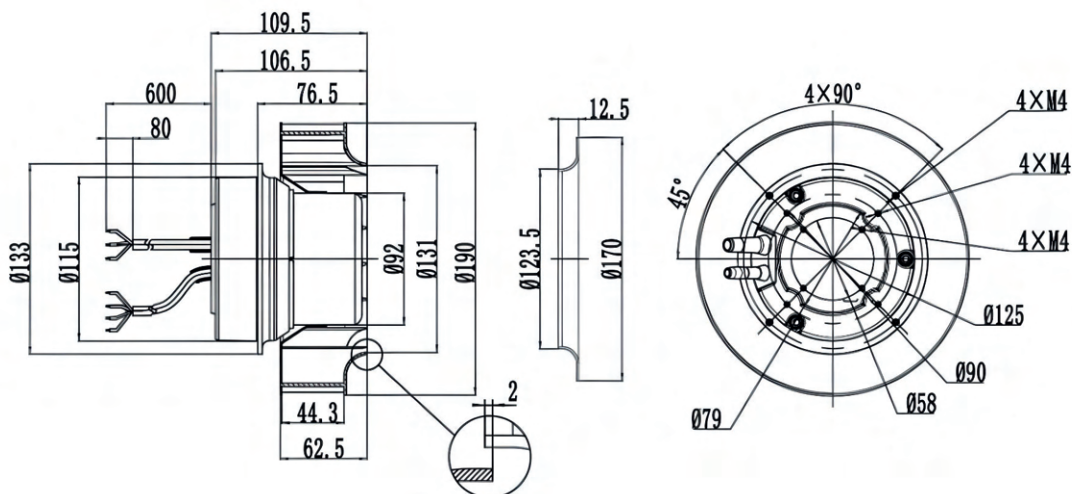
Φ190 Backward Centrifugal Fans



Approvals:

- Mode of operation: S1
- Control mode: 0-10V/PWM, RS85(Optional)
- Insulation: F
- Type of protection: IP42
- Perm. amb. temp.: -25- +60°C
- Impeller material: Plastic

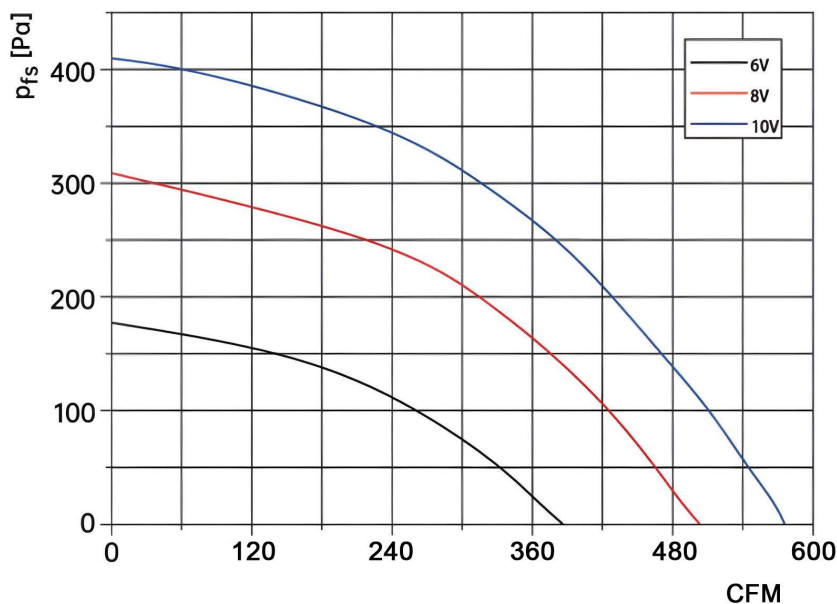
Type	Rated Voltage	Operating Voltage	Current	Power In	Rotating Speed	Noise
	V	V	A	W	RPM	dB(A)
AMI-BS5-FAM190PL01	230	200~277	1.13	150	4050	74



Wiring Table						
Brown	Blue	Yellow/Green	Red	Blue	Yellow	White
L	N	PE	VDC	GND	0-10VDC/PWM	FG

EC CENTRIFUGAL FANS

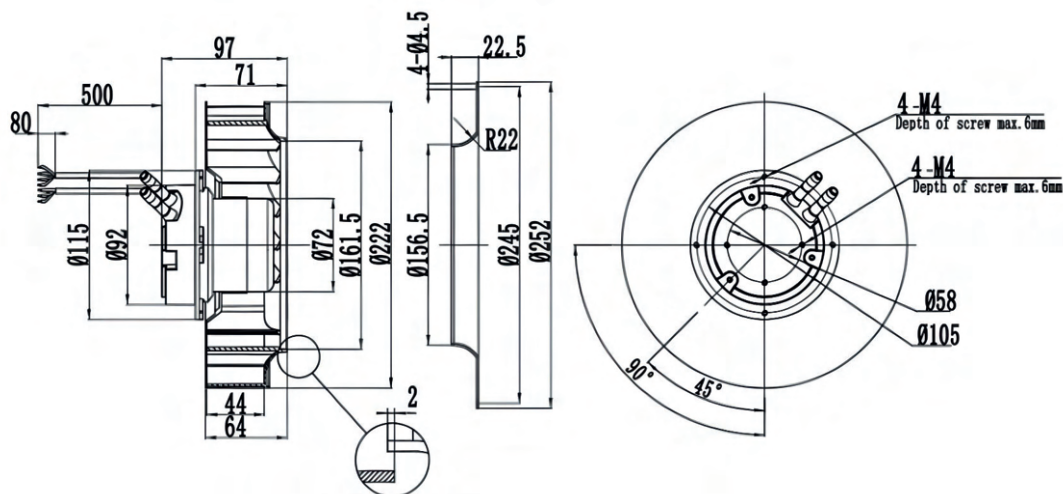
Φ220 Backward Centrifugal Fans



Approvals:

- Mode of operation: S1
- Control mode: 0-10V/PWM
- Insulation: F
- Type of protection: IP42
- Perm. amb. temp.: -25~ +60°C
- Impeller material: Plastic

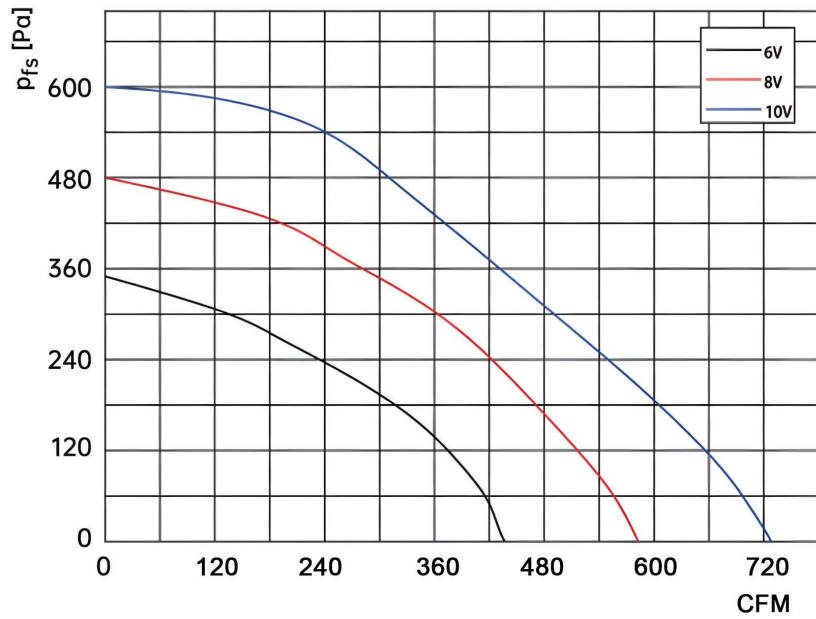
Type	Rated Voltage	Operating Voltage	Current	Power In	Rotating Speed	Noise
	V	V	A	W	RPM	dB(A)
AMI-BS5-FAM220PL00	230	200~277	0.5	62	2700	74



Wiring Table						
Brown	Blue	Yellow/Green	Red	Blue	Yellow	White
L	N	PE	VDC	GND	0-10VDC/PWM	FG

EC CENTRIFUGAL FANS

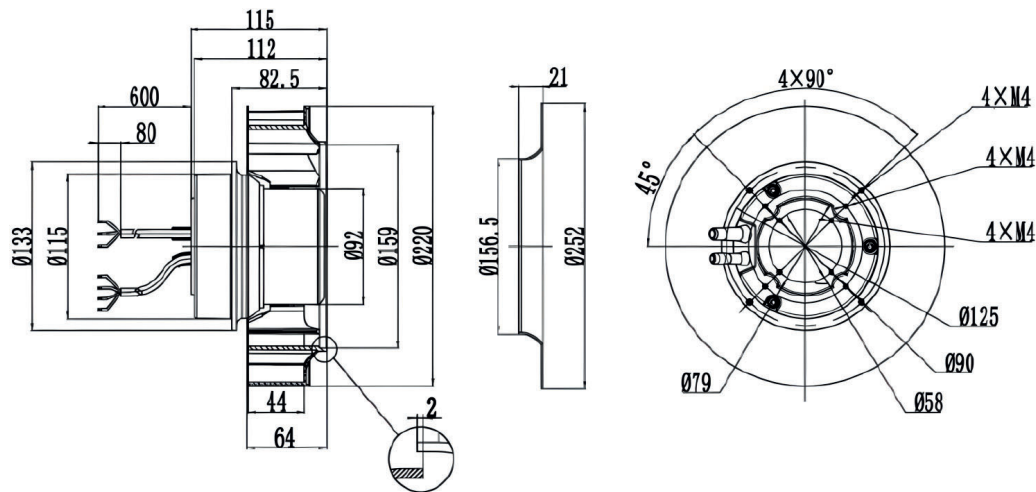
Φ220 Backward Centrifugal Fans



Approvals:

- Mode of operation: S1
- Control mode: 0-10V/PWM, RS85(Optional)
- Insulation: F
- Type of protection: IP42
- Perm. amb. temp.: -25- +60°C
- Impeller material: Plastic

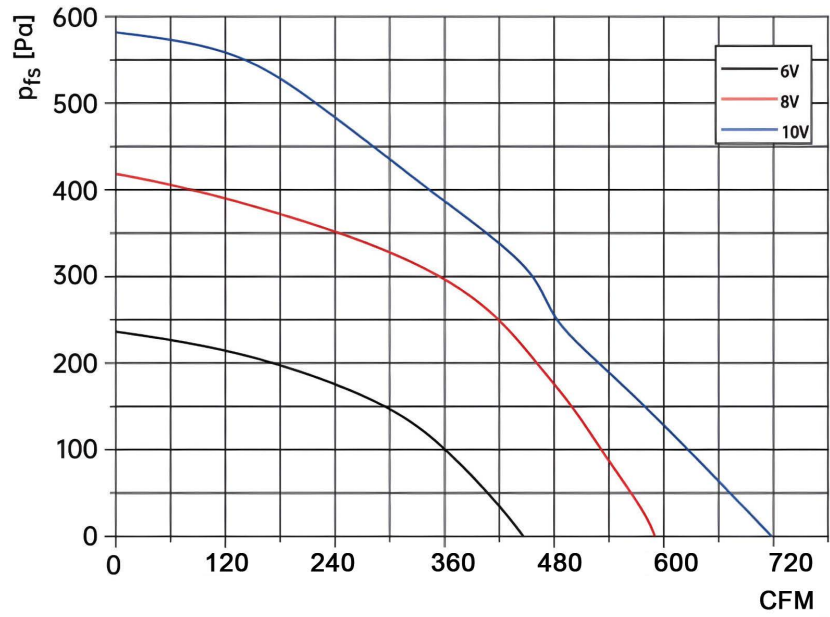
Type	Rated Voltage	Operating Voltage	Current	Power In	Rotating Speed	Noise
	V	V	A	W	RPM	dB(A)
AMI-BS5-FAM220PL01	230	200~277	1.1	160	3200	70



Wiring Table						
Brown	Blue	Yellow/Green	Red	Blue	Yellow	White
L	N	PE	VDC	GND	0-10VDC/PWM	FG

EC CENTRIFUGAL FANS

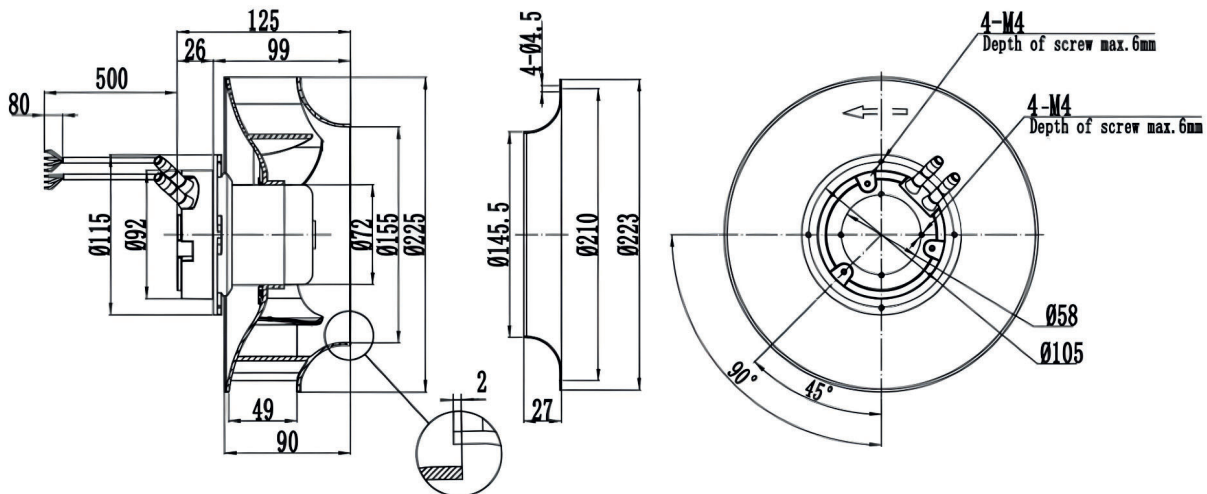
Φ225 Backward Centrifugal Fans



Approvals:

- Mode of operation: S1
- Control mode: 0-10V/PWM
- Insulation: F
- Type of protection: IP42
- Perm. amb. temp.: -25~ +60°C
- Impeller material: Plastic

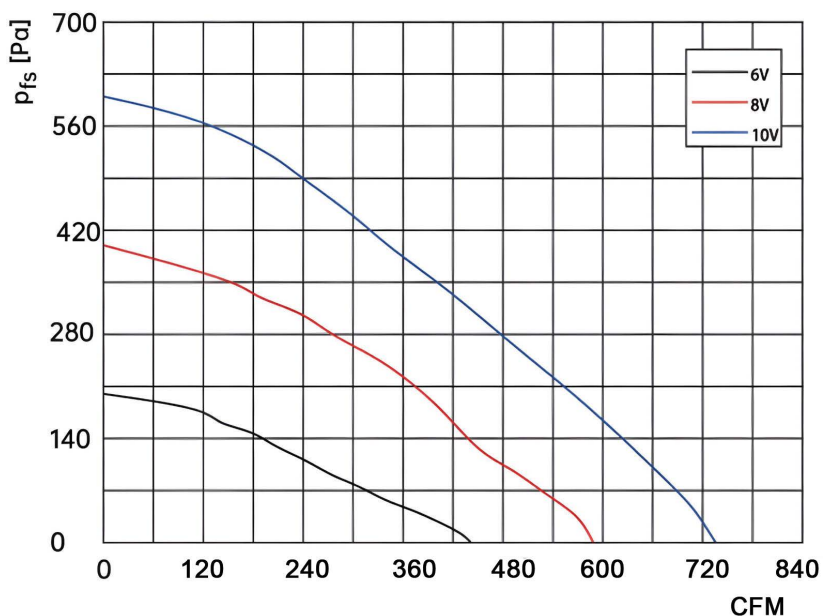
Type	Rated Voltage	Operating Voltage	Current	Power In	Rotating Speed	Noise
	V	V	A	W	RPM	dB(A)
AMI-BS5-FAM225PL00	230	200~277	0.5	145	2800	75



Wiring Table						
Brown	Blue	Yellow/Green	Red	Blue	Yellow	White
L	N	PE	VDC	GND	0-10VDC/PWM	FG

EC CENTRIFUGAL FANS

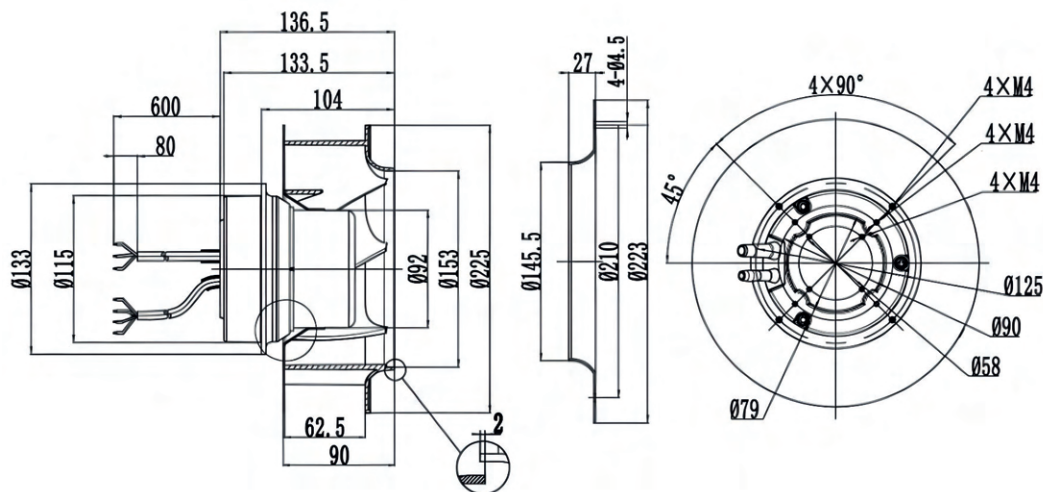
Φ225 Backward Centrifugal Fans



Approvals:

- Mode of operation: S1
- Control mode: 0-10V/PWM, RS85(Optional)
- Insulation: F
- Type of protection: IP42
- Perm. amb. temp.: -25- +60°C
- Impeller material: Plastic

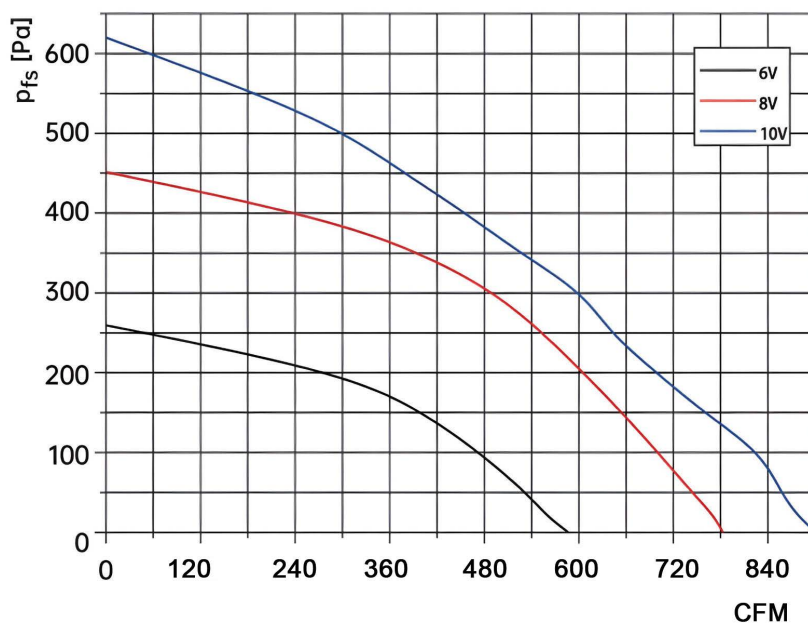
Type	Rated Voltage	Operating Voltage	Current	Power In	Rotating Speed	Noise
	V	V	A	W	RPM	dB(A)
AMI-BS5-FAM225PL01	230	200~277	1.0	140	2770	70



Wiring Table						
Brown	Blue	Yellow/Green	Red	Blue	Yellow	White
L	N	PE	VDC	GND	0-10VDC/PWM	FG

EC CENTRIFUGAL FANS

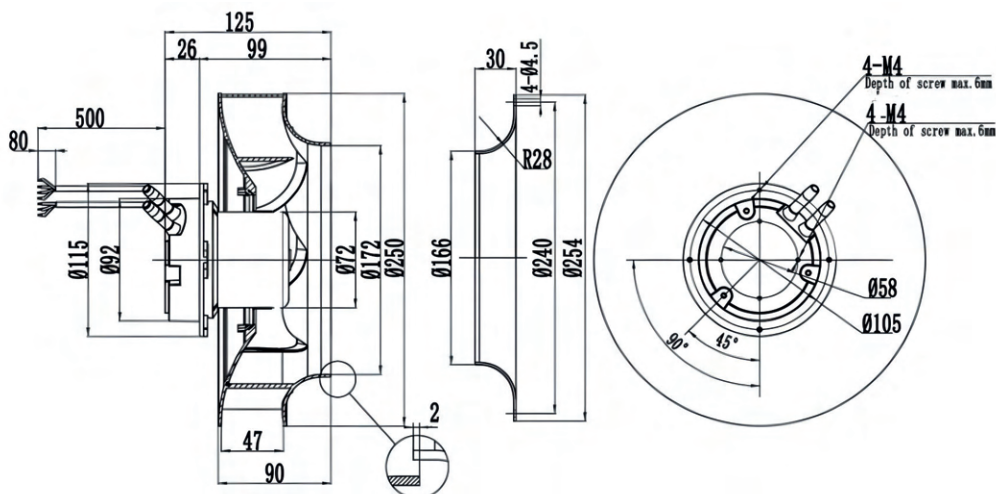
Φ250 Backward Centrifugal Fans



Approvals: **UL** [®] **US**

- Mode of operation: S1
- Control mode: 0-10V/PWM
- Insulation: F
- Type of protection: IP42
- Perm. amb. temp.: -25~ +60°C
- Impeller material: Plastic

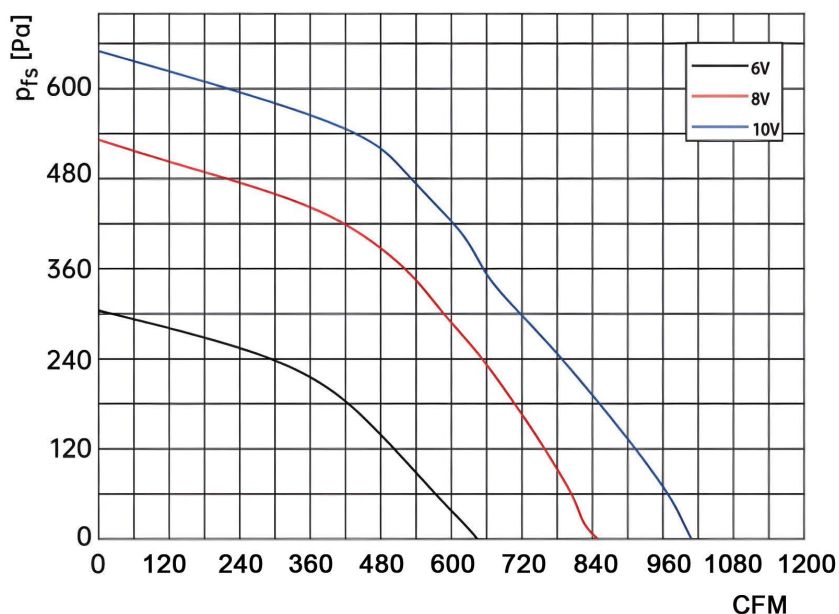
Type	Rated Voltage	Operating Voltage	Current	Power In	Rotating Speed	Noise
	V	V	A	W	RPM	dB(A)
AMI-BS5-FAM250PL00	230	200~277	1.2	170	2500	77



Wiring Table						
Brown	Blue	Yellow/Green	Red	Blue	Yellow	White
L	N	PE	VDC	GND	0-10VDC/PWM	FG

EC CENTRIFUGAL FANS

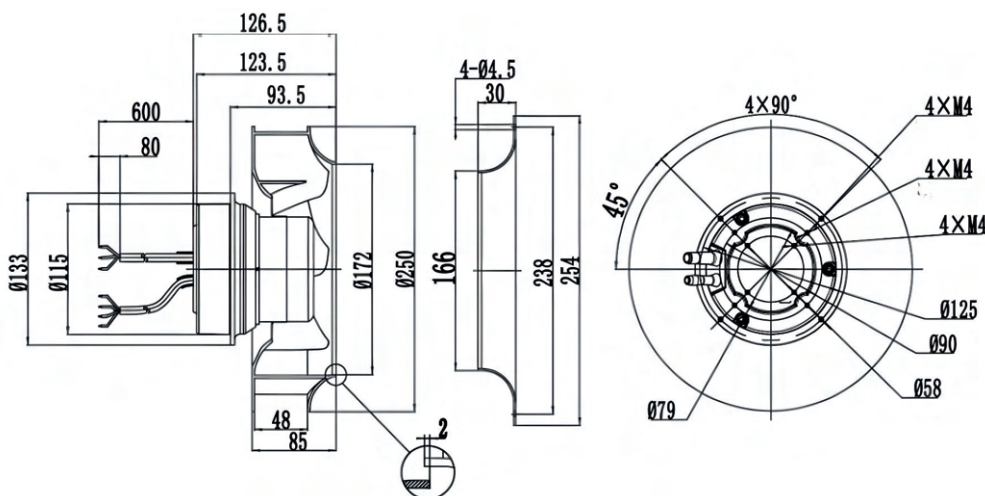
Φ250 Backward Centrifugal Fans



Approvals:

- Mode of operation: S1
- Control mode: 0-10V/PWM, RS85(Optional)
- Insulation: F
- Type of protection: IP42
- Perm. amb. temp.: -25- +60°C
- Impeller material: Plastic

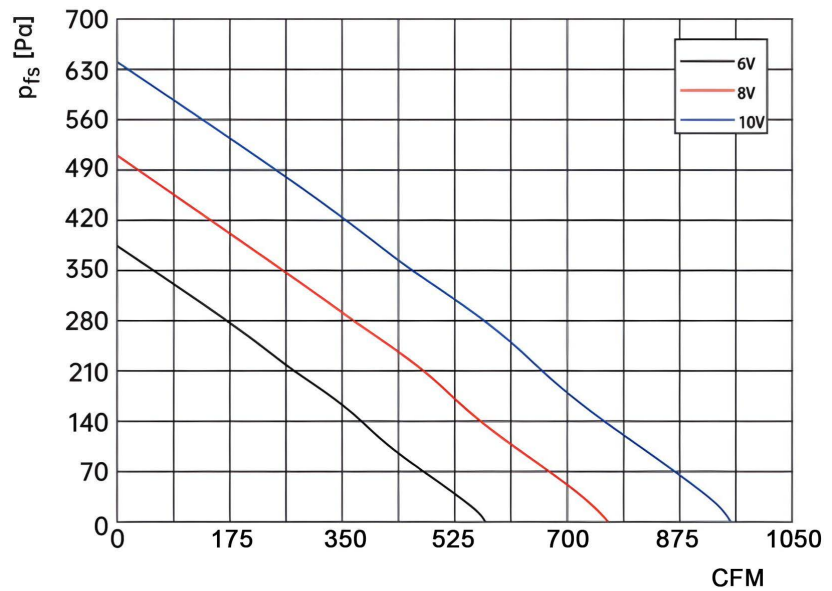
Type	Rated Voltage	Operating Voltage	Current	Power In	Rotating Speed	Noise
	V	V	A	W	RPM	dB(A)
AMI-BS5-FAM250PL01	230	200~277	1.5	220	2810	70



Wiring Table						
Brown	Blue	Yellow/Green	Red	Blue	Yellow	White
L	N	PE	VDC	GND	0-10VDC/PWM	FG

EC CENTRIFUGAL FANS

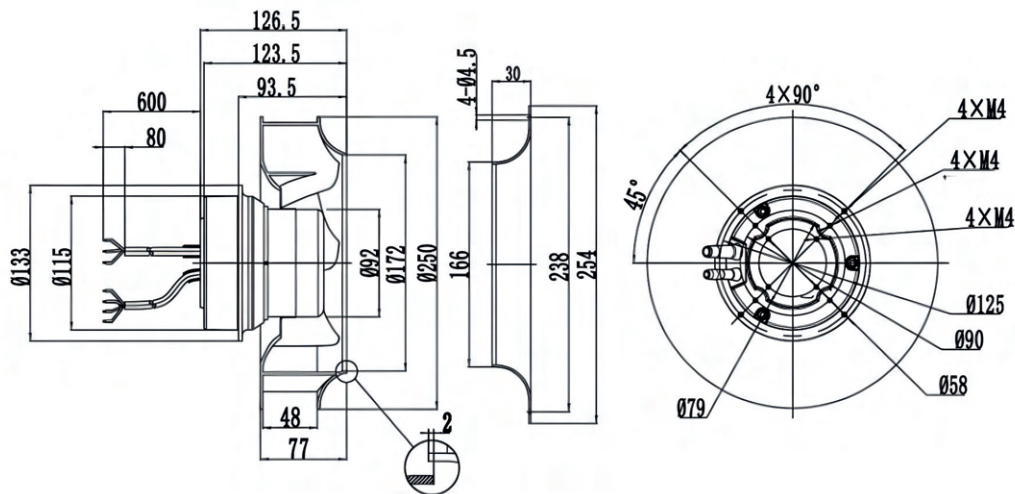
Φ250 Backward Centrifugal Fans



Approvals:

- Mode of operation: S1
- Control mode: 0-10V/PWM
- Insulation: F
- Type of protection: IP42
- Perm. amb. temp.: -25~ +60°C
- Impeller material: Steel

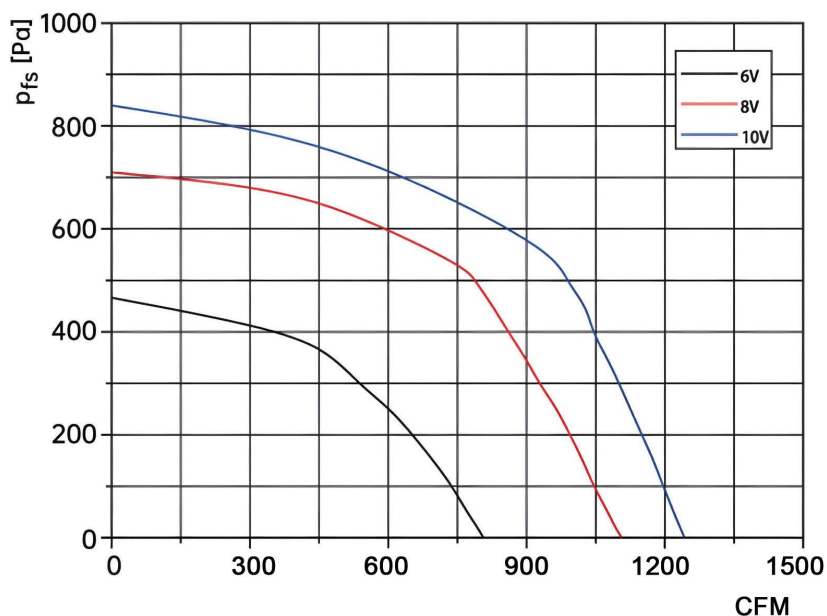
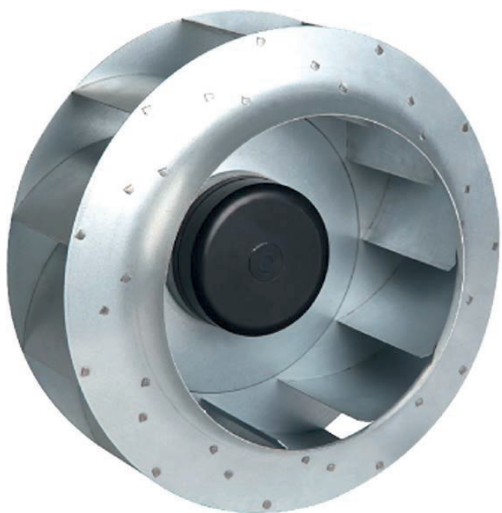
Type	Rated Voltage	Operating Voltage	Current	Power In	Rotating Speed	Noise
	V	V	A	W	RPM	dB(A)
AMI-BS5-FAM250ST00	230	200~277	1.04	155	2600	71



Wiring Table						
Brown	Blue	Yellow/Green	Red	Blue	Yellow	White
L	N	PE	VDC	GND	0-10VDC/PWM	FG

EC CENTRIFUGAL FANS

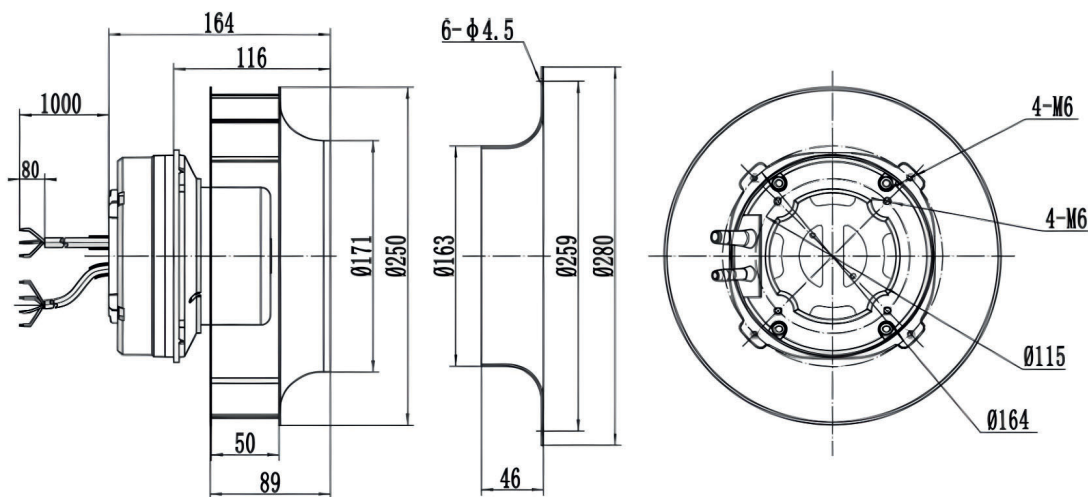
Φ250 Backward Centrifugal Fans



Approvals:

- Mode of operation: S1
- Control mode: 0-10V/PWM, RS85(Optional)
- Insulation: F
- Type of protection: IP42
- Perm. amb. temp.: -25- +60°C
- Impeller material: Aluminum

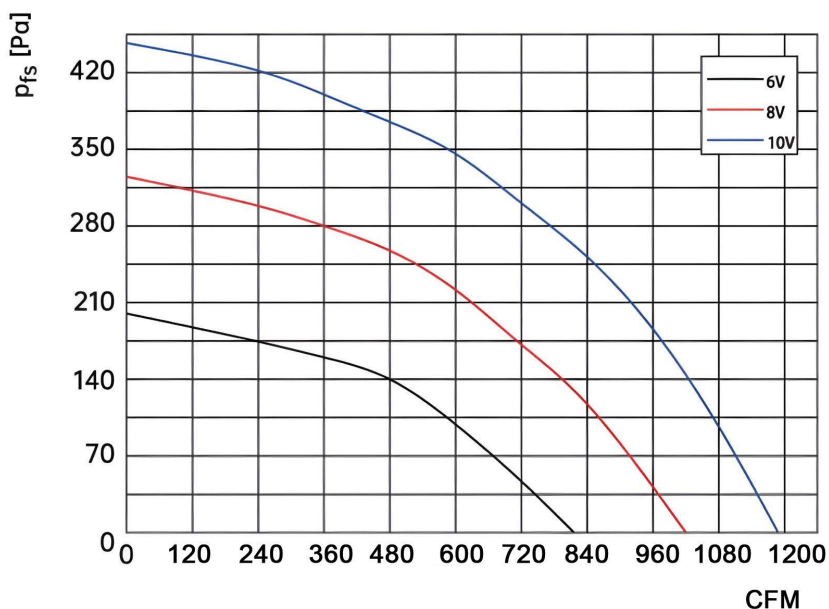
Type	Rated Voltage	Operating Voltage	Current	Power In	Rotating Speed	Noise
	V	V	A	W	RPM	dB(A)
AMI-BS5-FAM250AL00	230	200~277	3.5	600	3600	87



Wiring Table						
Brown	Blue	Yellow/Green	Red	Blue	Yellow	White
L	N	PE	VDC	GND	0-10VDC/PWM	FG

EC CENTRIFUGAL FANS

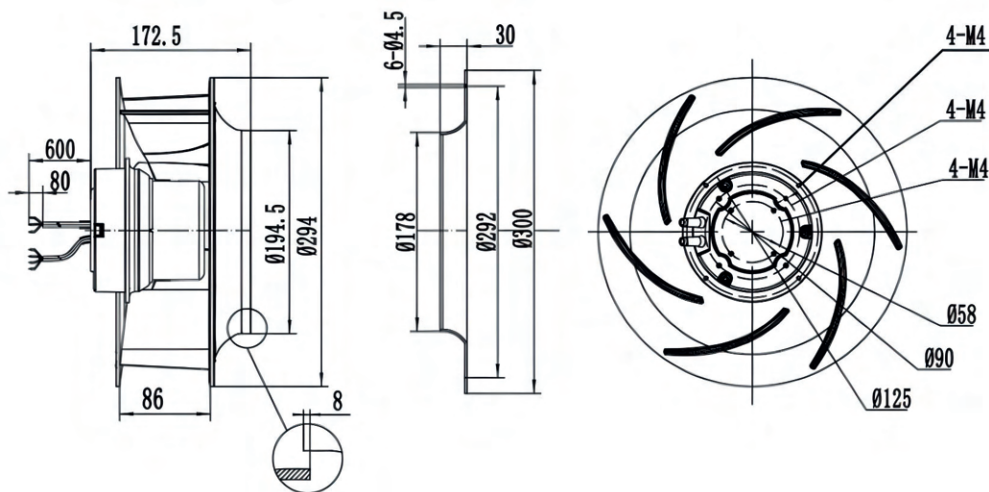
Φ280 Backward Centrifugal Fans



Approvals:

- Mode of operation: S1
- Control mode: 0-10V/PWM
- Insulation: F
- Type of protection: IP42
- Perm. amb. temp.: -25~ +60°C
- Impeller material: Plastic

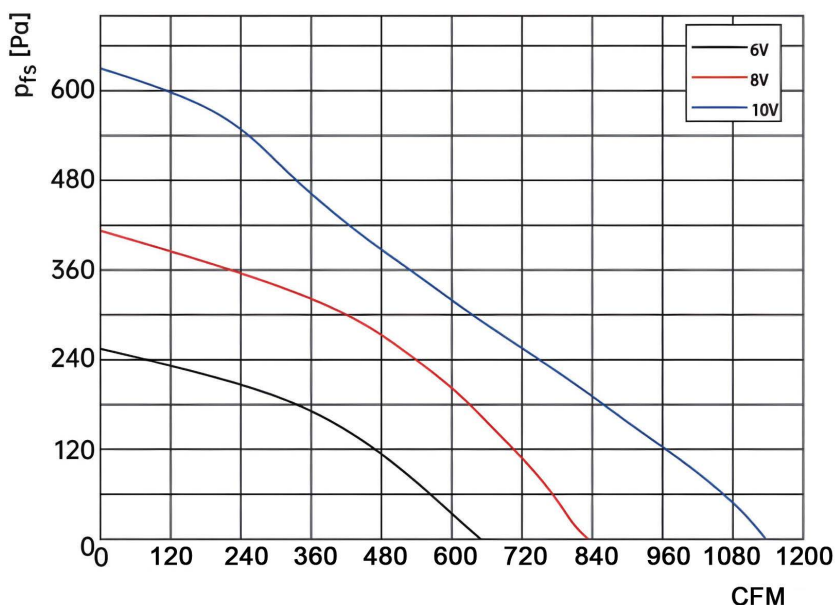
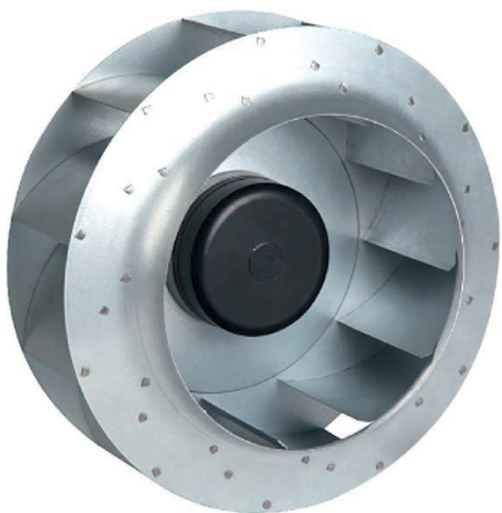
Type	Rated Voltage	Operating Voltage	Current	Power In	Rotating Speed	Noise
	V	V	A	W	RPM	dB(A)
AMI-BS5-FAM280PL00	230	200~277	1.35	195	1960	71



Wiring Table						
Brown	Blue	Yellow/Green	Red	Blue	Yellow	White
L	N	PE	VDC	GND	0-10VDC/PWM	FG

EC CENTRIFUGAL FANS

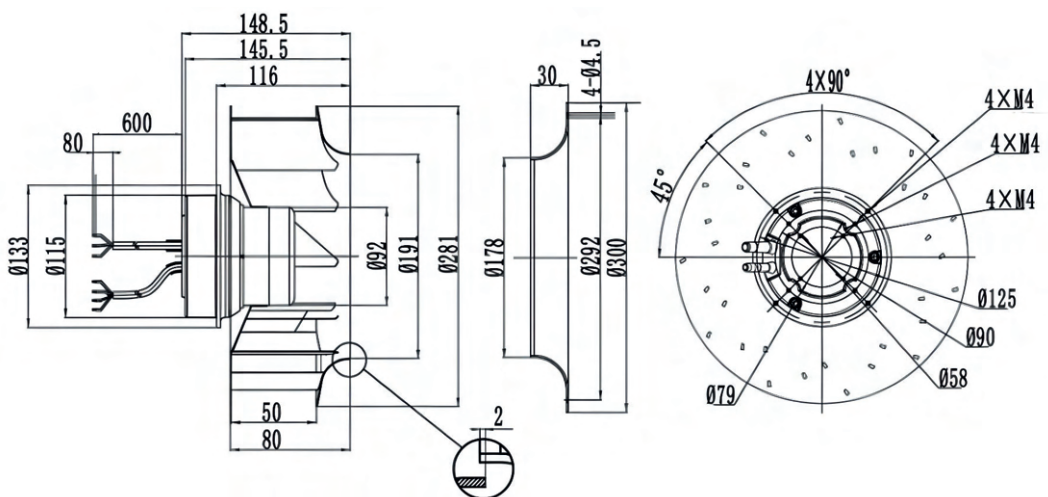
Φ280 Backward Centrifugal Fans



Approvals:

- Mode of operation: S1
- Control mode: 0-10V/PWM, RS85(Optional)
- Insulation: F
- Type of protection: IP42
- Perm. amb. temp.: -25- +60°C
- Impeller material: Steel

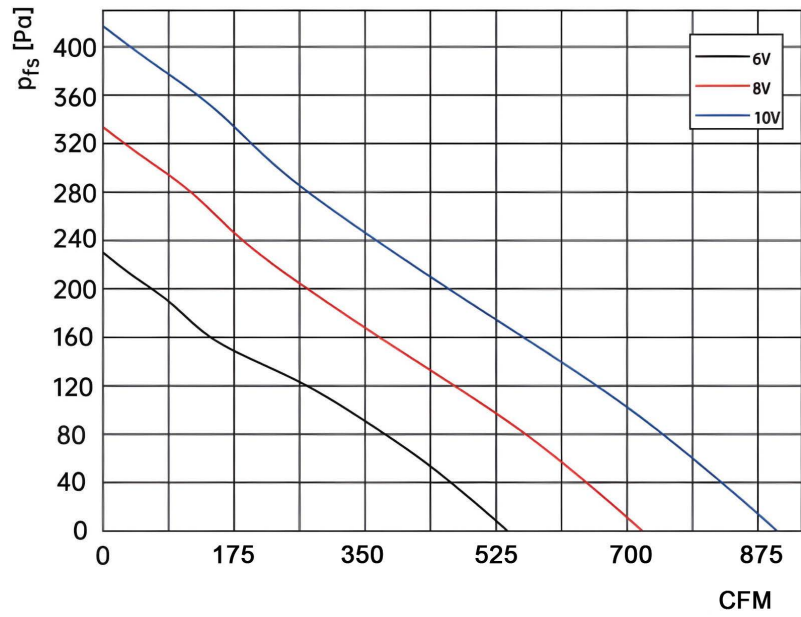
Type	Rated Voltage	Operating Voltage	Current	Power In	Rotating Speed	Noise
	V	V	A	W	RPM	dB(A)
AMI-BS5-FAM280ST00	230	200~277	1.4	200	2350	68



Wiring Table						
Brown	Blue	Yellow/Green	Red	Blue	Yellow	White
L	N	PE	VDC	GND	0-10VDC/PWM	FG

EC CENTRIFUGAL FANS

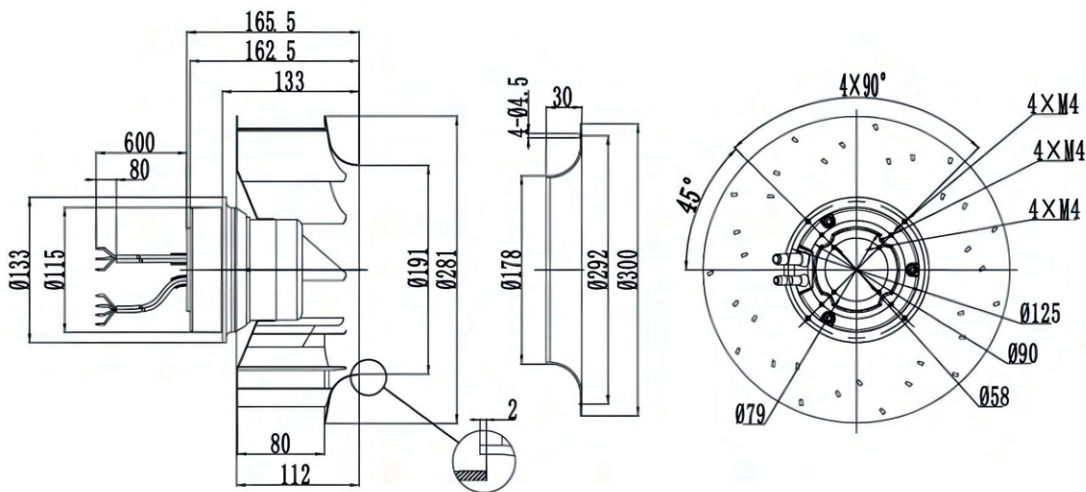
Φ280 Backward Centrifugal Fans



Approvals:

- Mode of operation: S1
- Control mode: 0-10V/PWM
- Insulation: F
- Type of protection: IP42
- Perm. amb. temp.: -25~ +60°C
- Impeller material: Steel

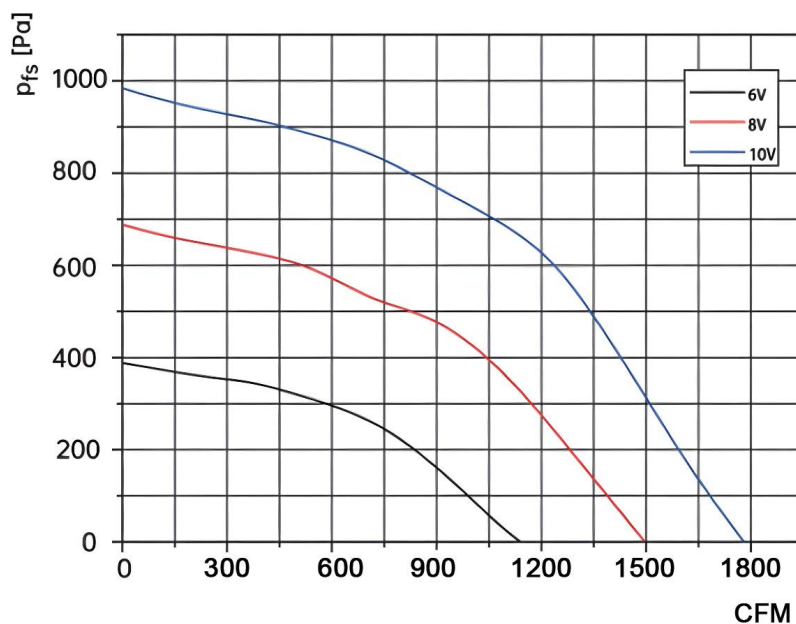
Type	Rated Voltage	Operating Voltage	Current	Power In	Rotating Speed	Noise
	V	V	A	W	RPM	dB(A)
AMI-BS5-FAM280ST01	230	200~277	0.95	130	1900	72



Wiring Table						
Brown	Blue	Yellow/Green	Red	Blue	Yellow	White
L	N	PE	VDC	GND	0-10VDC/PWM	FG

EC CENTRIFUGAL FANS

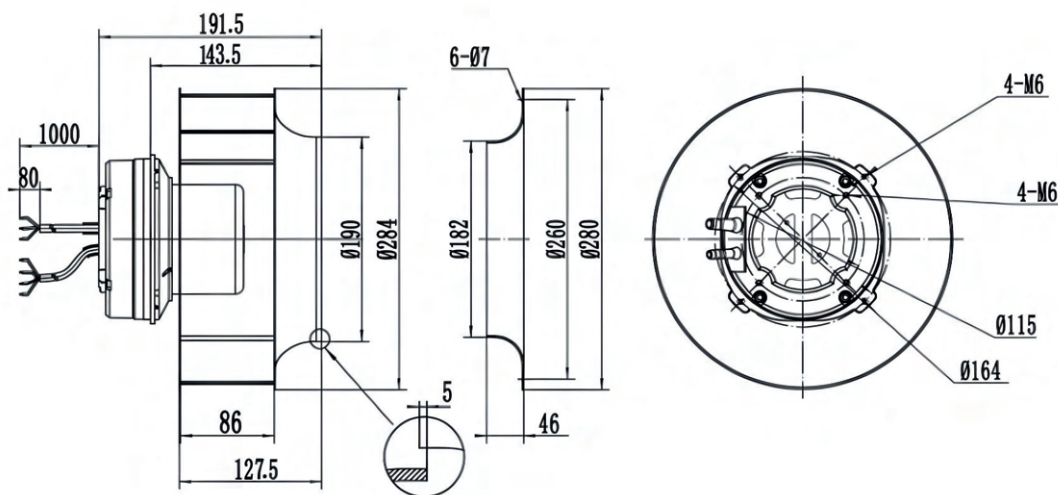
Φ280 Backward Centrifugal Fans



Approvals:

- Mode of operation: S1
- Control mode: 0-10V/PWM, RS85(Optional)
- Insulation: F
- Type of protection: IP42
- Perm. amb. temp.: -25- +60°C
- Impeller material: Plastic

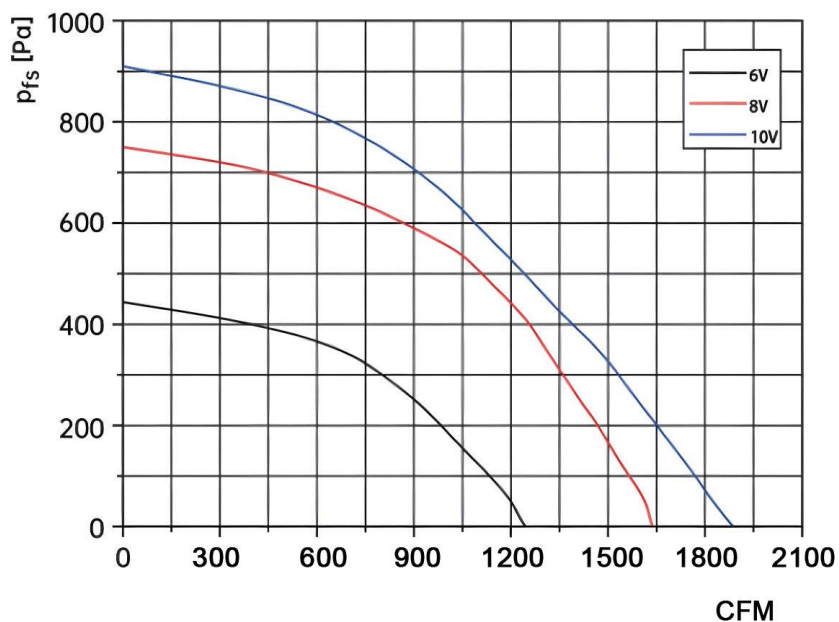
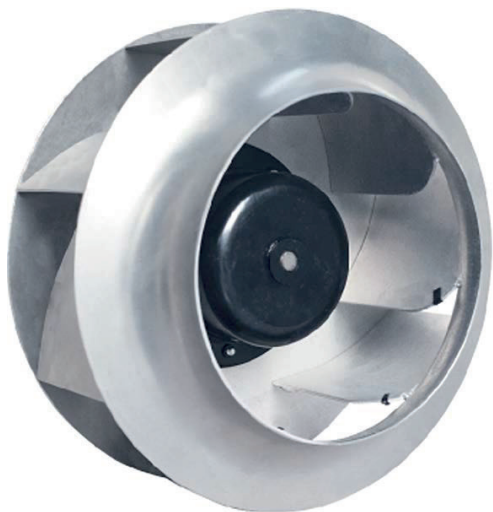
Type	Rated Voltage	Operating Voltage	Current	Power In	Rotating Speed	Noise
	V	V	A	W	RPM	dB(A)
AMI-BS5-FAM280PL01	230	200~277	2.79	640	2920	82



Wiring Table						
Brown	Blue	Yellow/Green	Red	Blue	Yellow	White
L	N	PE	VDC	GND	0-10VDC/PWM	FG

EC CENTRIFUGAL FANS

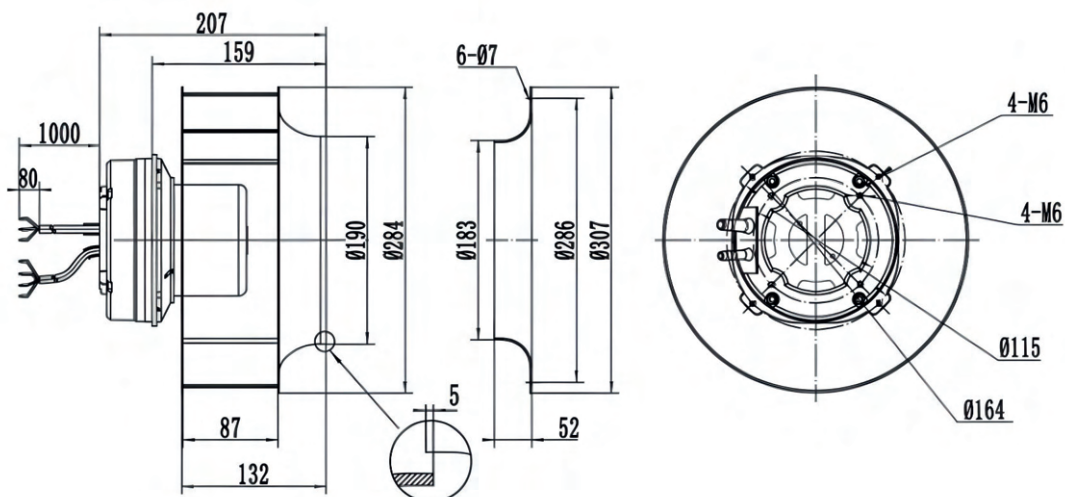
Φ280 Backward Centrifugal Fans



Approvals: 

- Mode of operation: S1
 - Control mode: 0-10V/PWM
 - Insulation: F
 - Type of protection: IP42
 - Perm. amb. temp.: -25~ +60°C
 - Impeller material: Aluminum
- RS85(Optional)

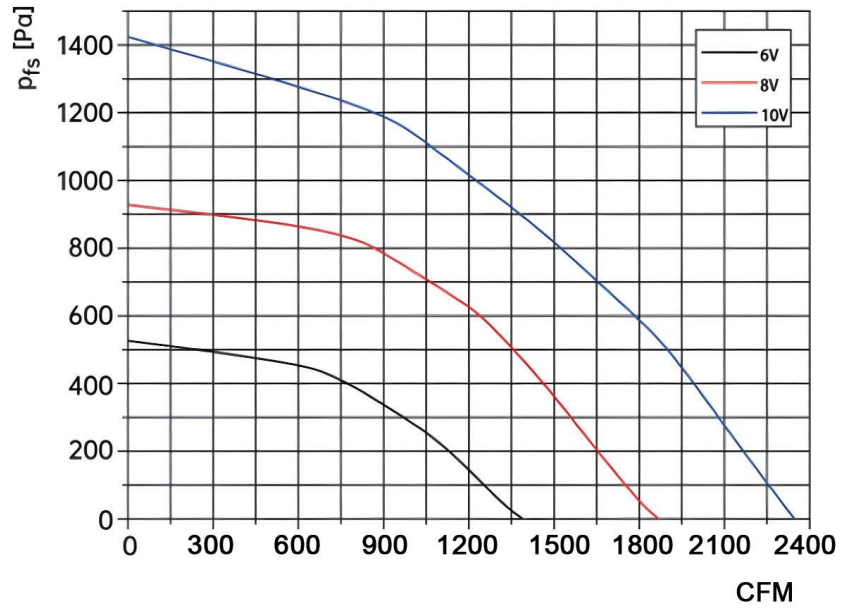
Type	Rated Voltage	Operating Voltage	Current	Power In	Rotating Speed	Noise
	V	V	A	W	RPM	dB(A)
AMI-BS5-FAM280AL00	230	200~277	3.92	670	3000	86



Wiring Table						
Brown	Blue	Yellow/Green	Red	Blue	Yellow	White
L	N	PE	VDC	GND	0-10VDC/PWM	FG

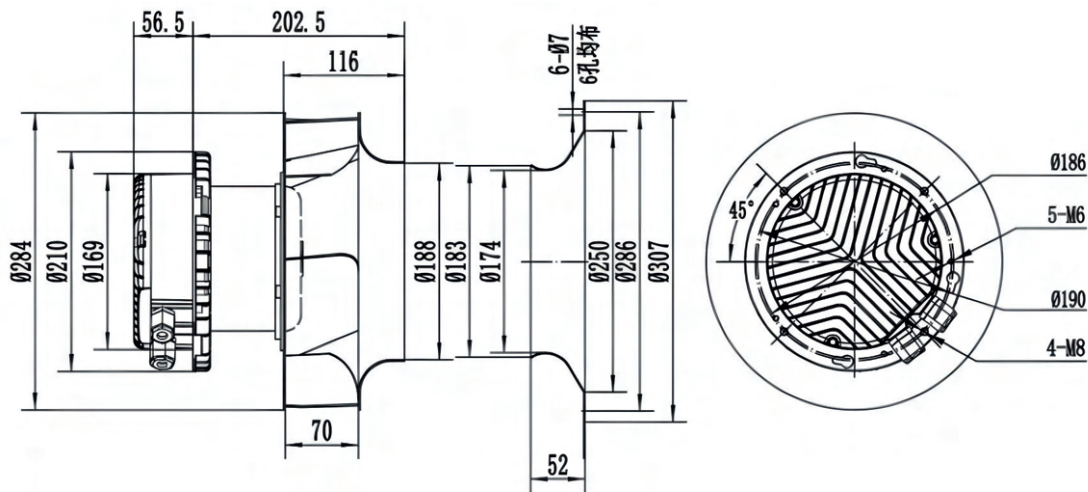
EC CENTRIFUGAL FANS

Φ280 Backward Centrifugal Fans



- Mode of operation: S1
- Control mode: 0-10V/PWM, RS85(Optional)
- Insulation: F
- Type of protection: IP42
- Perm. amb. temp.: -25- +60°C
- Impeller material: Aluminum

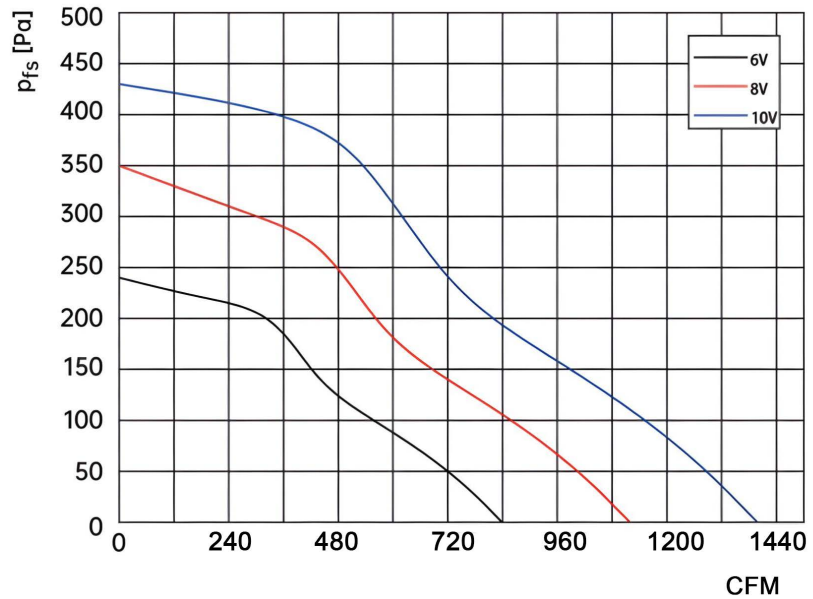
Type	Rated Voltage	Operating Voltage	Current	Power In	Rotating Speed	Noise
	V	V	A	W	RPM	dB(A)
AMI-BS5-FAN280AL00	380	380~480	1.9	1200	3600	84



Wiring Table						
Brown	Blue	Yellow/Green	Red	Blue	Yellow	White
L	N	PE	VDC	GND	0-10VDC/PWM	FG

EC CENTRIFUGAL FANS

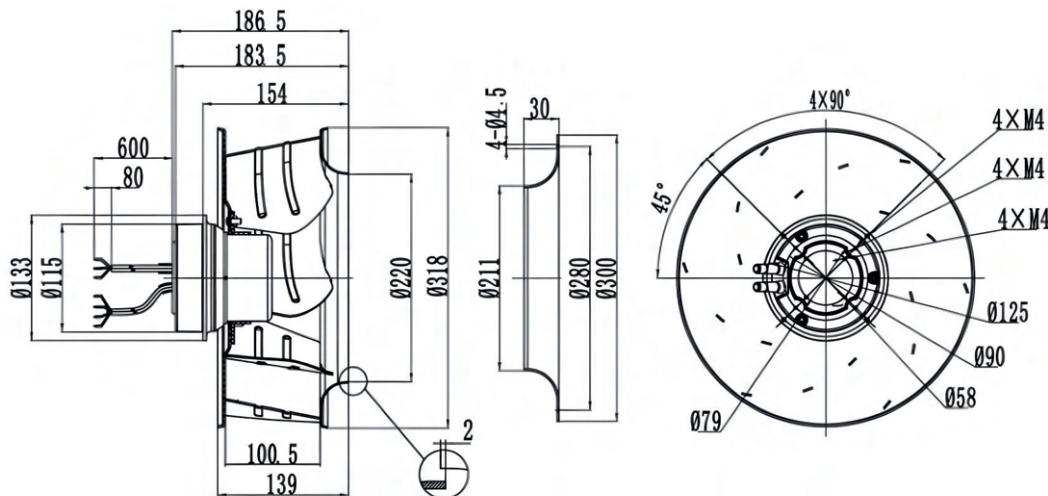
Φ310 Backward Centrifugal Fans



Approvals:

- Mode of operation: S1
- Control mode: 0-10V/PWM, RS85(Optional)
- Insulation: F
- Type of protection: IP42
- Perm. amb. temp.: -25- +60°C
- Impeller material: Aluminum

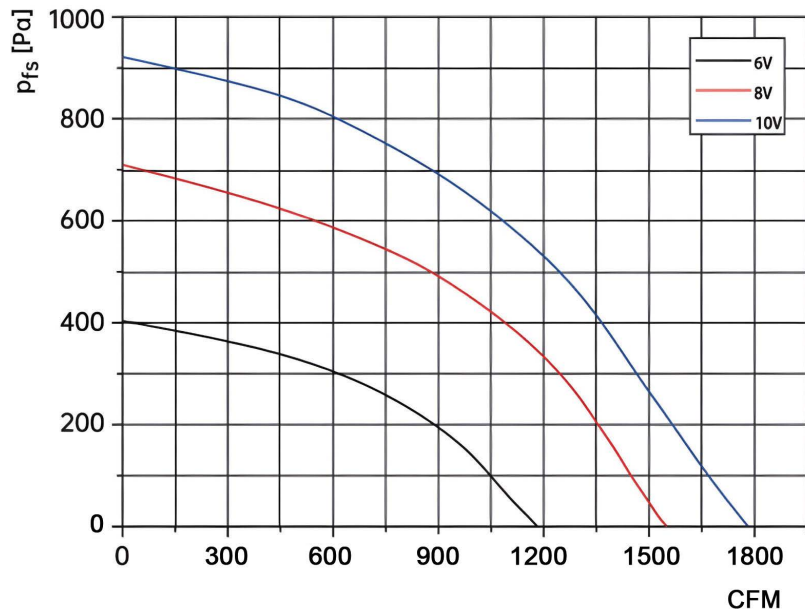
Type	Rated Voltage	Operating Voltage	Current	Power In	Rotating Speed	Noise
	V	V	A	W	RPM	dB(A)
AMI-BS5-FAM310AL01	230	200~277	1.14	170	1610	65



Wiring Table						
Brown	Blue	Yellow/Green	Red	Blue	Yellow	White
L	N	PE	VDC	GND	0-10VDC/PWM	FG

EC CENTRIFUGAL FANS

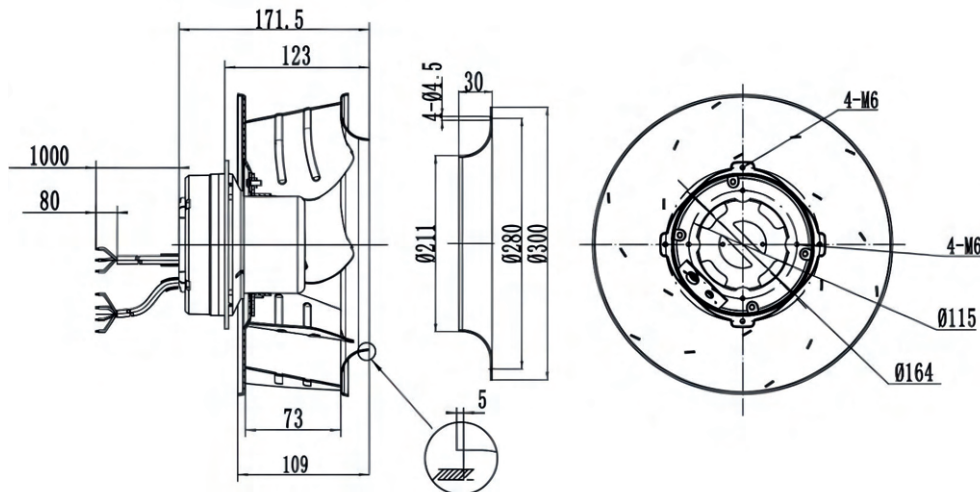
Φ310 Backward Centrifugal Fans



Approvals: 

- Mode of operation: S1
 - Control mode: 0-10V/PWM
 - Insulation: F
 - Type of protection: IP42
 - Perm. amb. temp.: -25~ +60°C
 - Impeller material: Aluminum
- RS85(Optional)

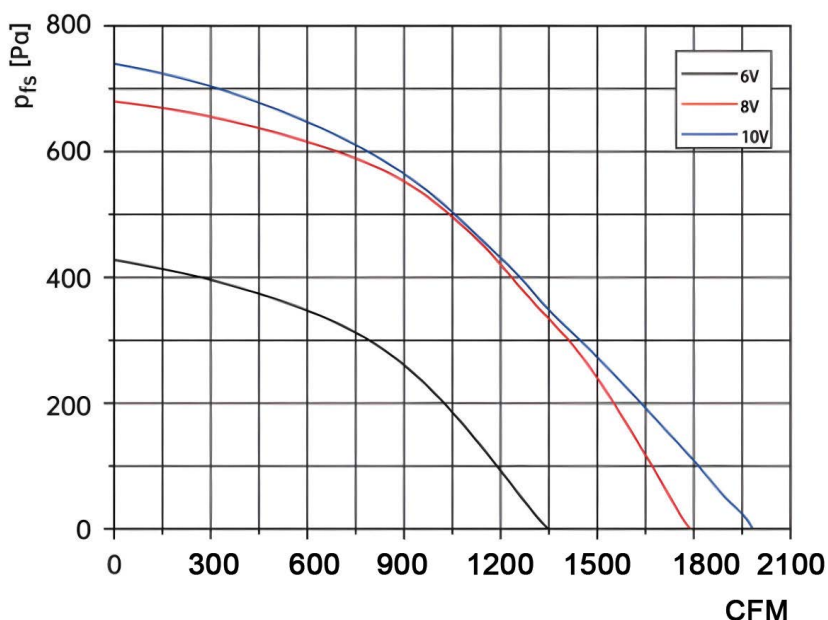
Type	Rated Voltage	Operating Voltage	Current	Power In	Rotating Speed	Noise
	V	V	A	W	RPM	dB(A)
AMI-BS5-FAM310AL02	230	200~277	2.59	600	2620	86



Wiring Table						
Brown	Blue	Yellow/Green	Red	Blue	Yellow	White
L	N	PE	VDC	GND	0-10VDC/PWM	FG

EC CENTRIFUGAL FANS

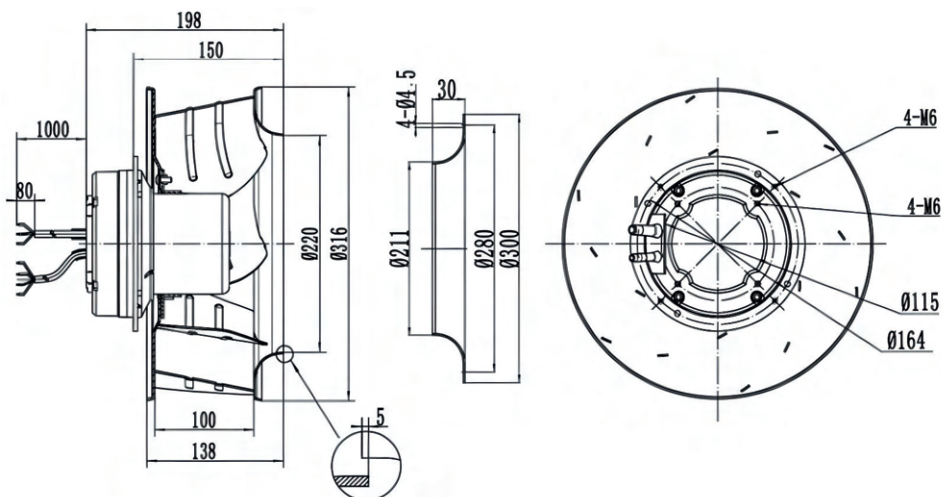
Φ310 Backward Centrifugal Fans



Approvals:

- Mode of operation: S1
- Control mode: 0-10V/PWM, RS85(Optional)
- Insulation: F
- Type of protection: IP42
- Perm. amb. temp.: -25- +60°C
- Impeller material: Aluminum

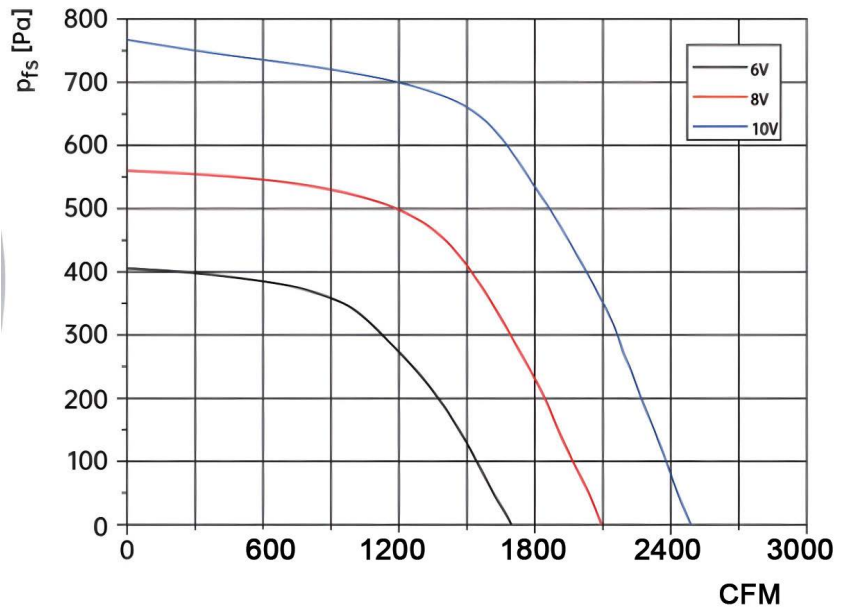
Type	Rated Voltage	Operating Voltage	Current	Power In	Rotating Speed	Noise
	V	V	A	W	RPM	dB(A)
AMI-BS5-FAM310AL03	230	200~277	3.22	500	2300	86



Wiring Table						
Brown	Blue	Yellow/Green	Red	Blue	Yellow	White
L	N	PE	VDC	GND	0-10VDC/PWM	FG

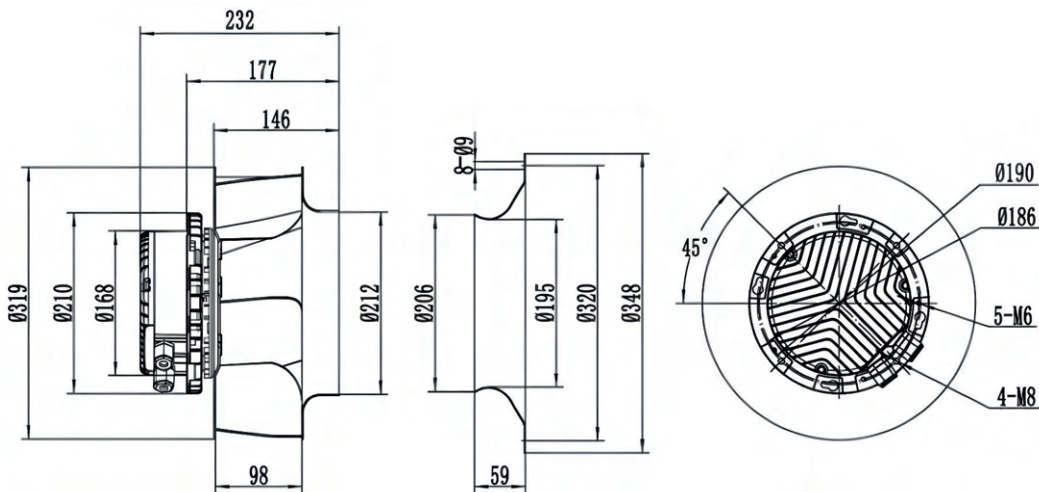
EC CENTRIFUGAL FANS

Φ315 Backward Centrifugal Fans



- Mode of operation: S1
- Control mode: 0-10V/PWM
- Insulation: F
- Type of protection: IP42
- Perm. amb. temp.: -25~ +60°C
- Impeller material: Aluminum
- RS85(Optional)

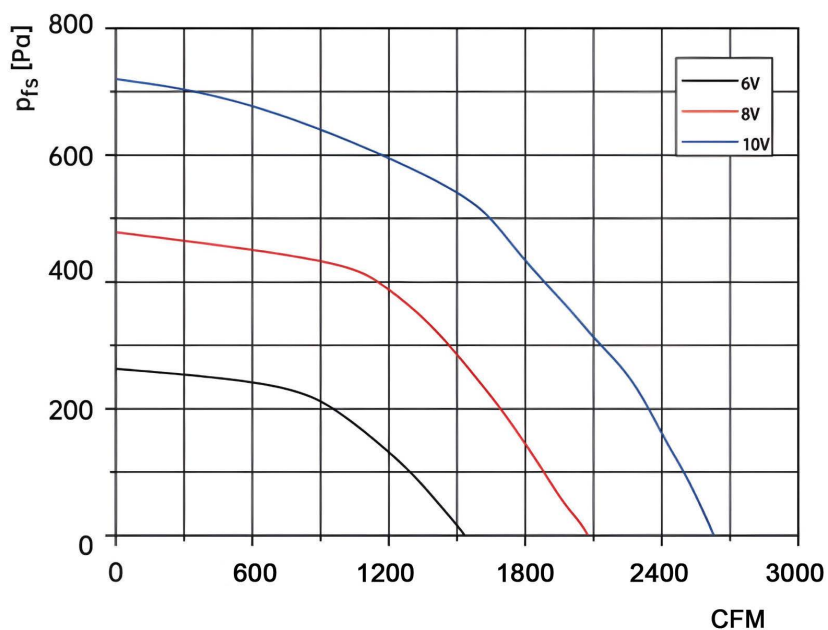
Type	Rated Voltage	Operating Voltage	Current	Power In	Rotating Speed	Noise
	V	V	A	W	RPM	dB(A)
AMI-BS5-FAN315AL00	380	380~480	1.64	980	2600	74



Wiring Table							
Black	Brown	Blue	Yellow/Green	Red	Blue	Yellow	White
L1	L2	L3	PE	VDC	GND	0-10VDC/PWM	FG

EC CENTRIFUGAL FANS

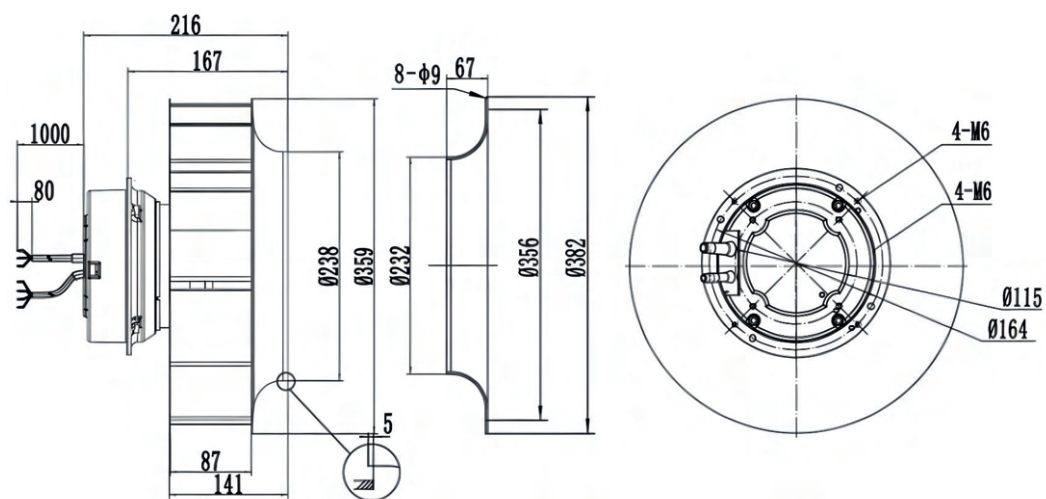
Φ355 Backward Centrifugal Fans



Approvals:

- Mode of operation: S1
- Control mode: 0-10V/PWM, RS85(Optional)
- Insulation: F
- Type of protection: IP42
- Perm. amb. temp.: -25- +60°C
- Impeller material: Aluminum

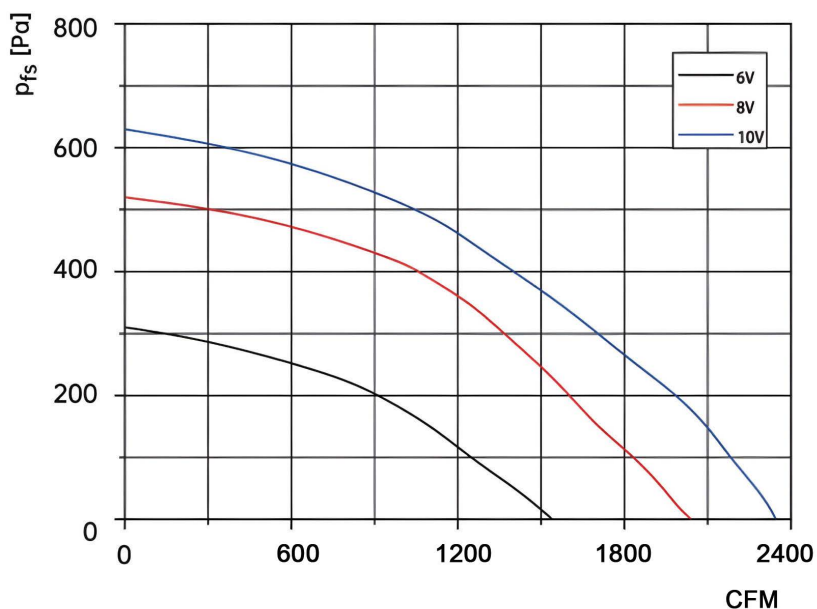
Type	Rated Voltage	Operating Voltage	Current	Power In	Rotating Speed	Noise
	V	V	A	W	RPM	dB(A)
AMI-BS5-FAM355AL00	230	200~277	3.2	730	2000	82.5



Wiring Table						
Brown	Blue	Yellow/Green	Red	Blue	Yellow	White
L	N	PE	VDC	GND	0-10VDC/PWM	FG

EC CENTRIFUGAL FANS

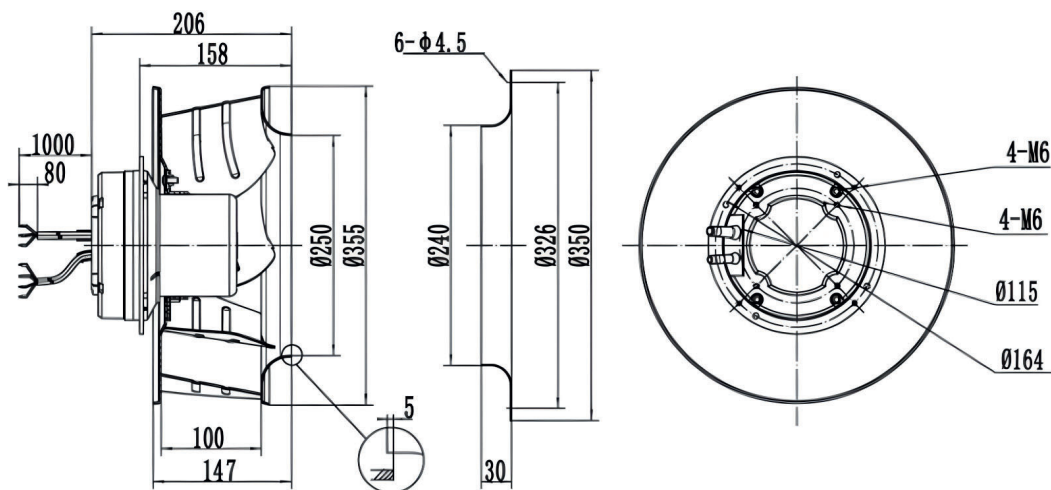
Φ355 Backward Centrifugal Fans



Approvals:

- Mode of operation: S1
 - Control mode: 0-10V/PWM
 - Insulation: F
 - Type of protection: IP42
 - Perm. amb. temp.: -25~ +60°C
 - Impeller material: Aluminum
- RS85(Optional)

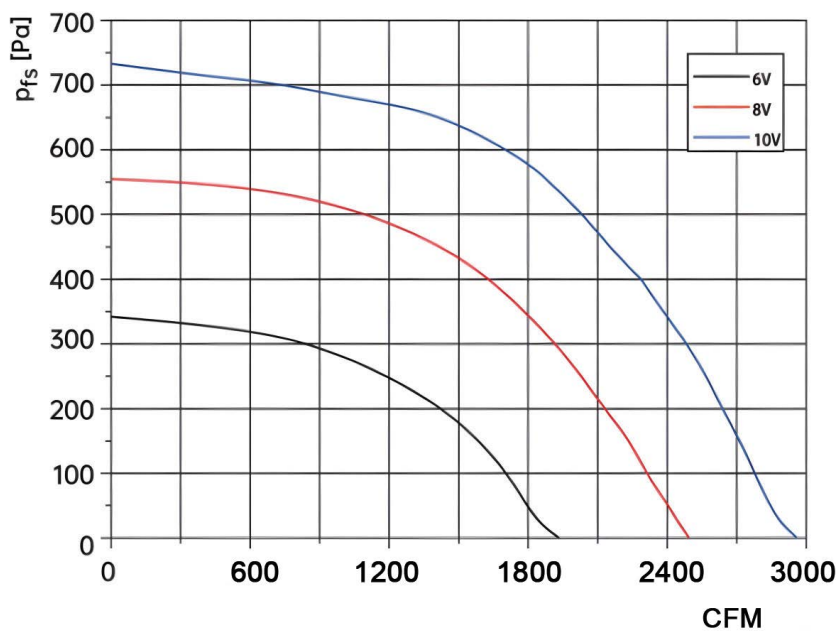
Type	Rated Voltage	Operating Voltage	Current	Power In	Rotating Speed	Noise
	V	V	A	W	RPM	dB(A)
AMI-BS5-FAM355AL01	230	200~277	3.6	570	2000	76



Wiring Table						
Brown	Blue	Yellow/Green	Red	Blue	Yellow	White
L	N	PE	VDC	GND	0-10VDC/PWM	FG

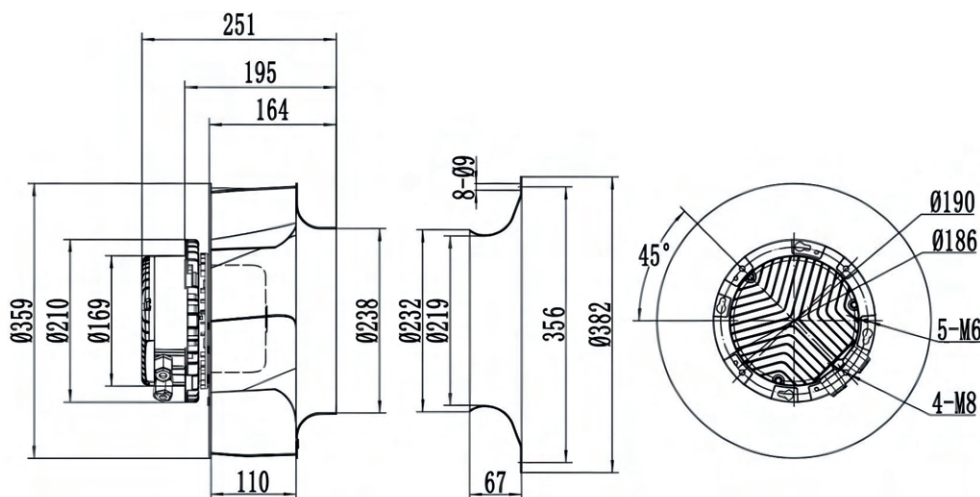
EC CENTRIFUGAL FANS

Φ355 Backward Centrifugal Fans



- Mode of operation: S1
- Control mode: 0-10V/PWM, RS85(Optional)
- Insulation: F
- Type of protection: IP42
- Perm. amb. temp.: -25- +60°C
- Impeller material: Aluminum

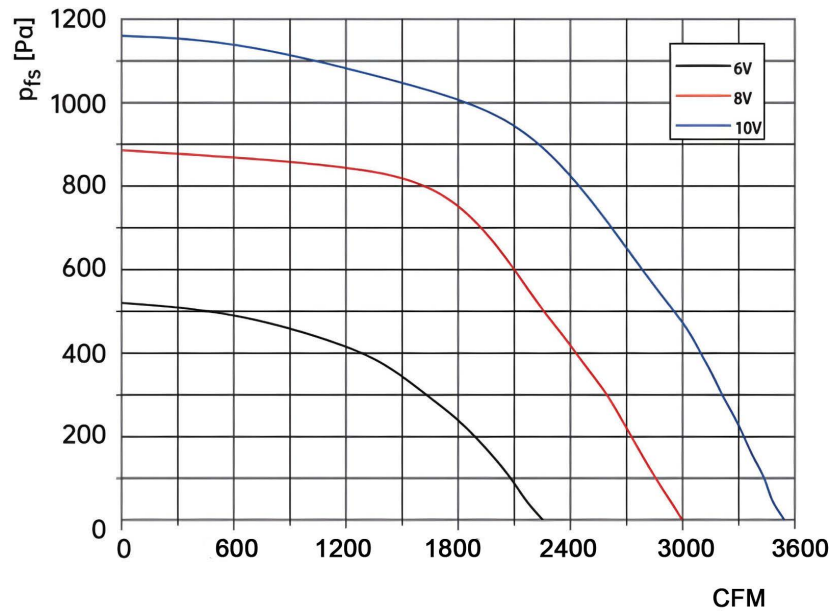
Type	Rated Voltage	Operating Voltage	Current	Power In	Rotating Speed	Noise
	V	V	A	W	RPM	dB(A)
AMI-BS5-FAN355AL00	380	380~480	1.6	950	2050	83



Wiring Table							
Black	Brown	Blue	Yellow/Green	Red	Blue	Yellow	White
L1	L2	L3	PE	VDC	GND	0-10VDC/PWM	FG

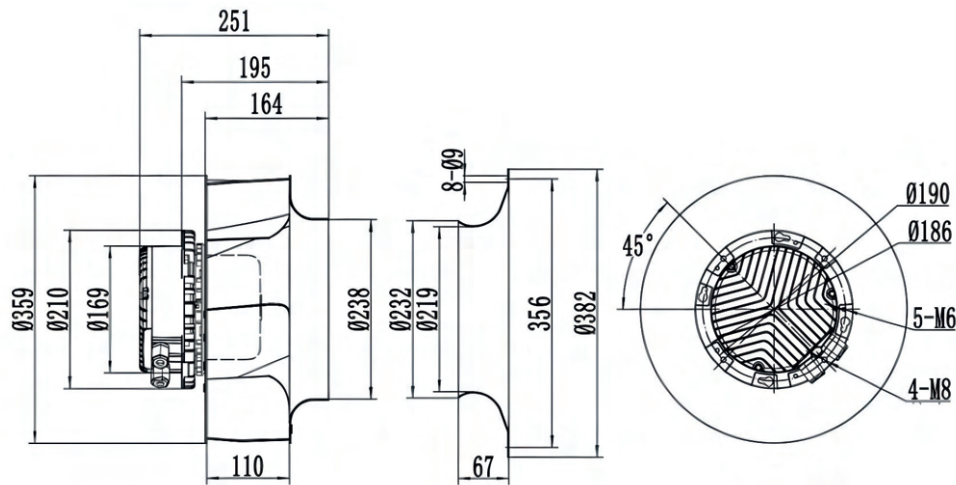
EC CENTRIFUGAL FANS

Φ355 Backward Centrifugal Fans



- Mode of operation: S1
- Control mode: 0-10V/PWM
- Insulation: F
- Type of protection: IP42
- Perm. amb. temp.: -25~ +60°C
- Impeller material: Aluminum
- RS85(Optional)

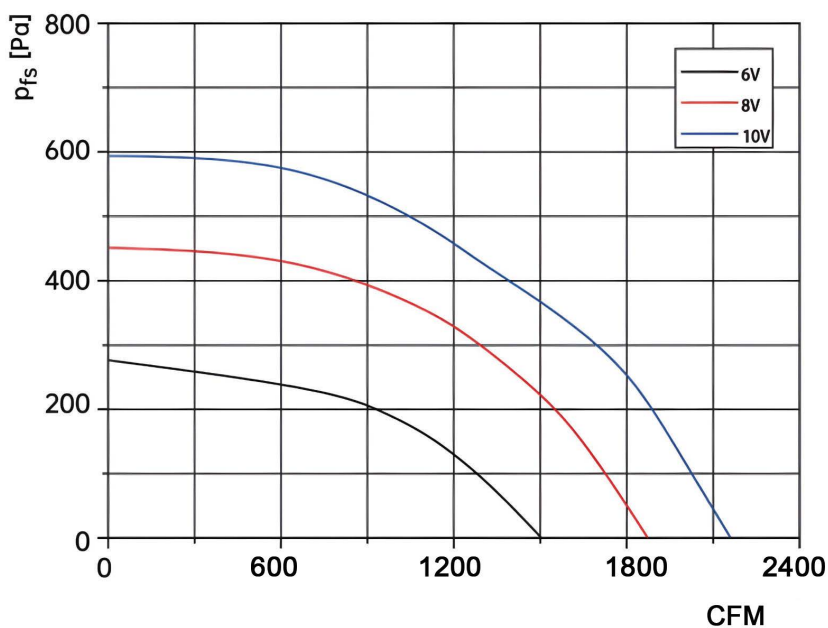
Type	Rated Voltage	Operating Voltage	Current	Power In	Rotating Speed	Noise
	V	V	A	W	RPM	dB(A)
AMI-BS5-FAN355AL01	380	380~480	3.1	1900	2600	87



Wiring Table						
Brown	Blue	Yellow/Green	Red	Blue	Yellow	White
L	N	PE	VDC	GND	0-10VDC/PWM	FG

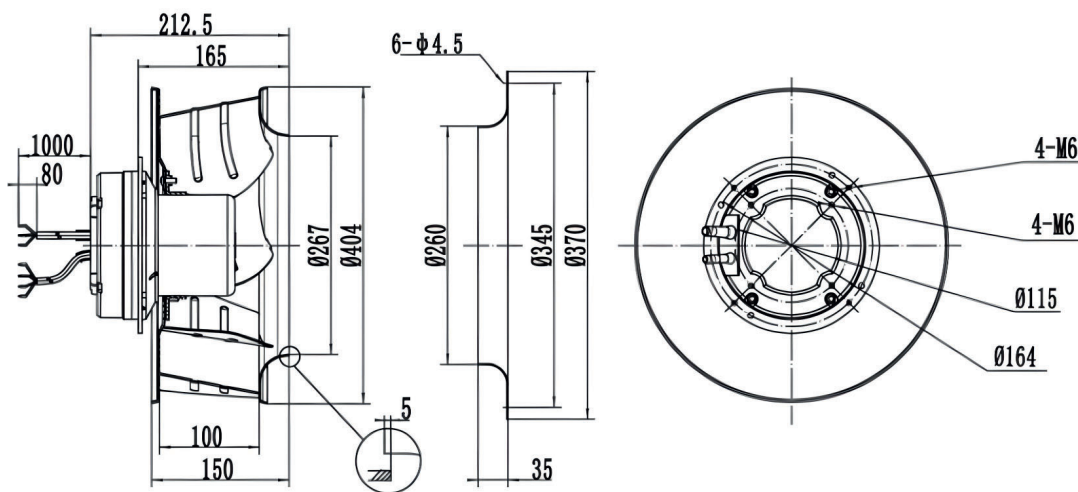
EC CENTRIFUGAL FANS

Φ400 Backward Centrifugal Fans



- **Mode of operation:** S1
- **Control mode:** 0-10V/PWM, RS85(Optional)
- **Insulation:** F
- **Type of protection:** IP42
- **Perm. amb. temp.:** -25- +60°C
- **Impeller material:** Aluminum

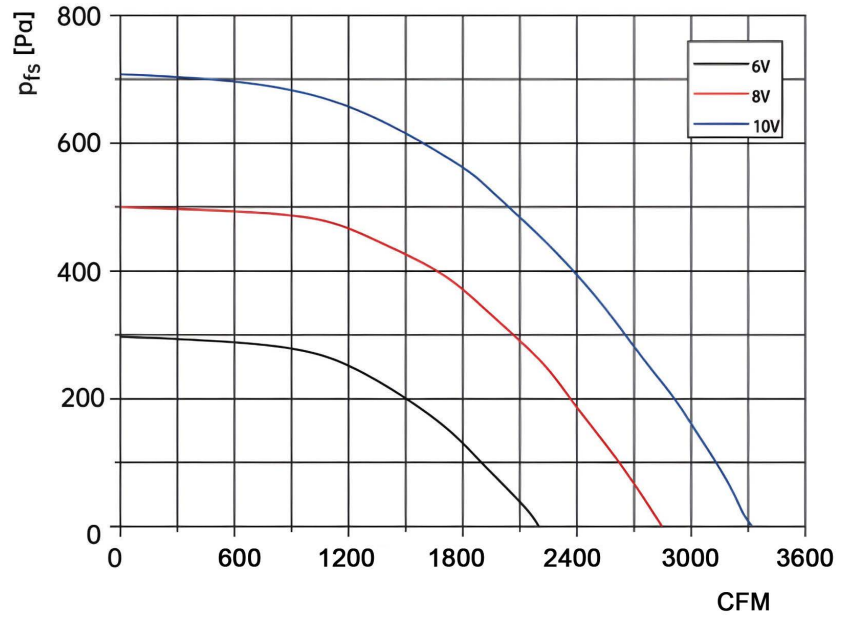
Type	Rated Voltage	Operating Voltage	Current	Power In	Rotating Speed	Noise
	V	V	A	W	RPM	dB(A)
AMI-BS5-FAM400AL00	230	200~277	3.38	520	1660	74



Wiring Table						
Brown	Blue	Yellow/Green	Red	Blue	Yellow	White
L	N	PE	VDC	GND	0-10VDC/PWM	FG

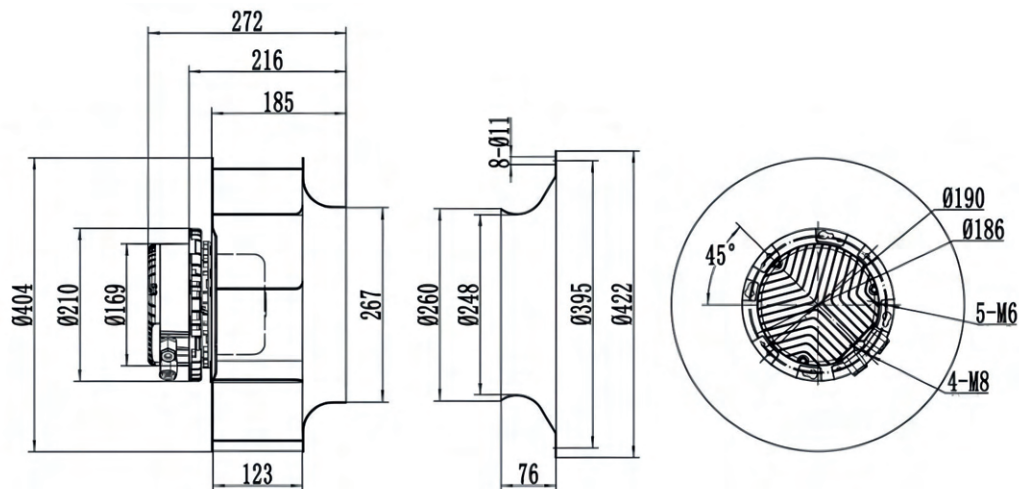
EC CENTRIFUGAL FANS

Φ400 Backward Centrifugal Fans



- Mode of operation: S1
- Control mode: 0-10V/PWM
- Insulation: F
- Type of protection: IP42
- Perm. amb. temp.: -25~ +60°C
- Impeller material: Aluminum
- RS85(Optional)

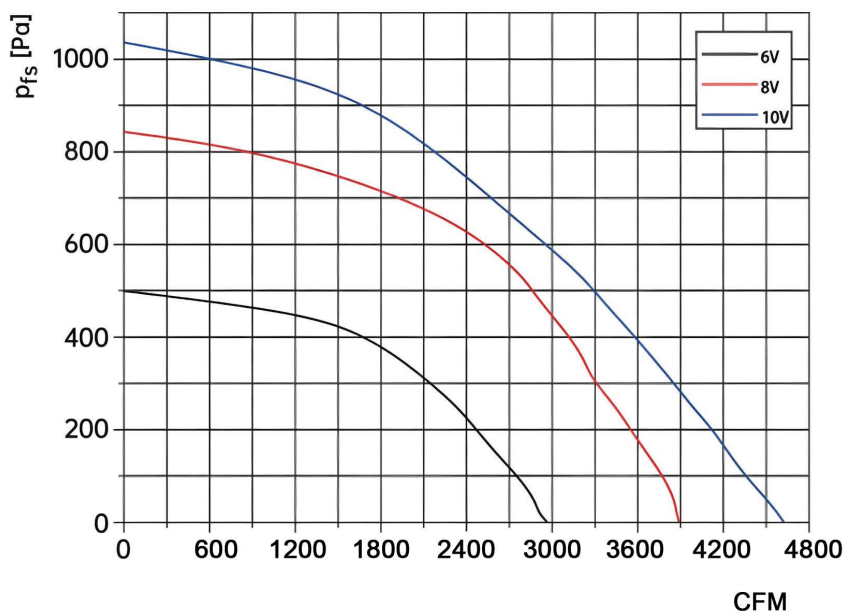
Type	Rated Voltage	Operating Voltage	Current	Power In	Rotating Speed	Noise
	V	V	A	W	RPM	dB(A)
AMI-BS5-FAN400AL00	380	380~480	1.6	950	1720	74



Wiring Table							
Black	Brown	Blue	Yellow/Green	Red	Blue	Yellow	White
L1	L2	L3	PE	VDC	GND	0-10VDC/PWM	FG

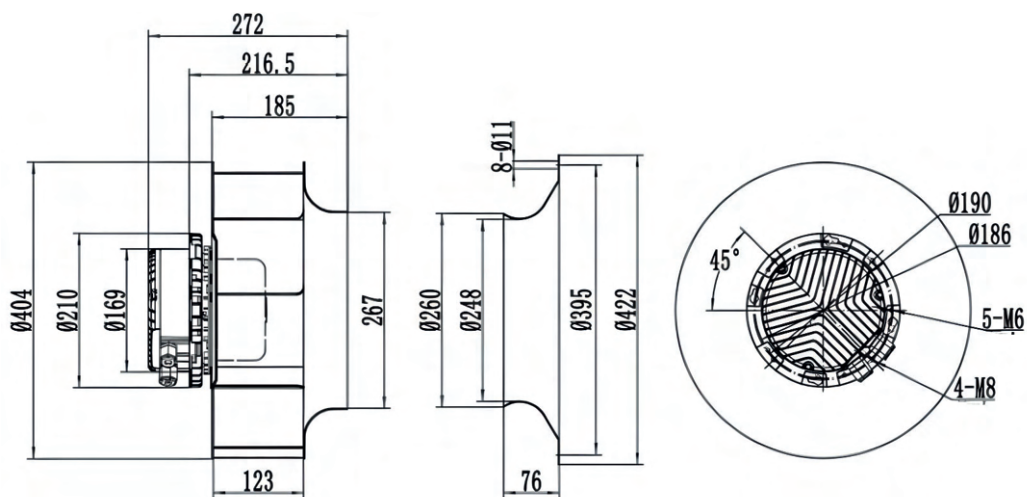
EC CENTRIFUGAL FANS

Φ400 Backward Centrifugal Fans



- **Mode of operation:** S1
- **Control mode:** 0-10V/PWM, RS85(Optional)
- **Insulation:** F
- **Type of protection:** IP42
- **Perm. amb. temp.:** -25- +60°C
- **Impeller material:** Aluminum

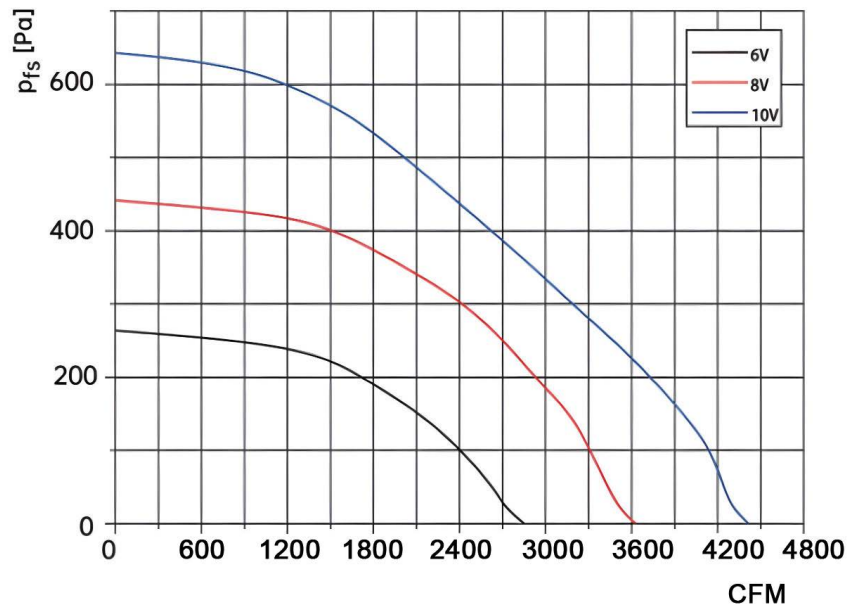
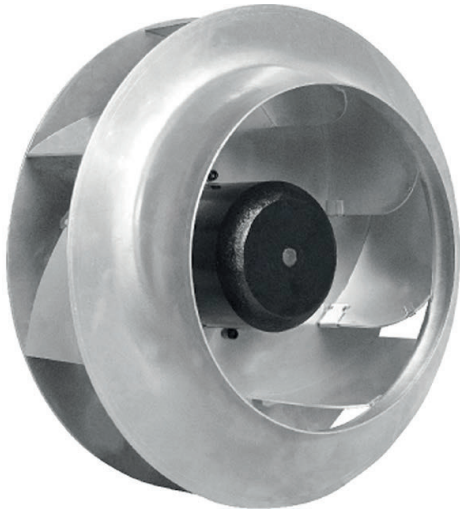
Type	Rated Voltage	Operating Voltage	Current	Power In	Rotating Speed	Noise
	V	V	A	W	RPM	dB(A)
AMI-BS5-FAN400AL01	380	380~480	2.9	1700	2300	89



Wiring Table							
Black	Brown	Blue	Yellow/Green	Red	Blue	Yellow	White
L1	L2	L3	PE	VDC	GND	0-10VDC/PWM	FG

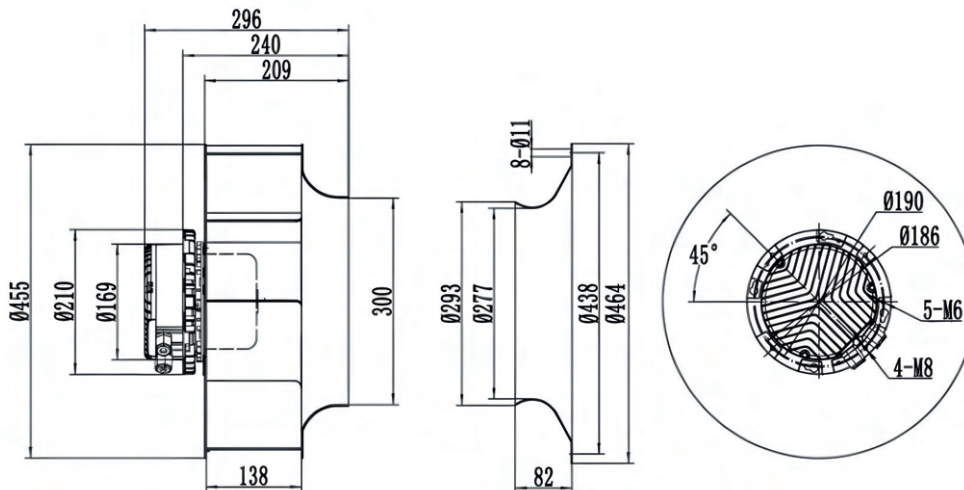
EC CENTRIFUGAL FANS

Φ450 Backward Centrifugal Fans



- Mode of operation: S1
- Control mode: 0-10V/PWM
- Insulation: F
- Type of protection: IP42
- Perm. amb. temp.: -25~ +60°C
- Impeller material: Aluminum
- RS85(Optional)

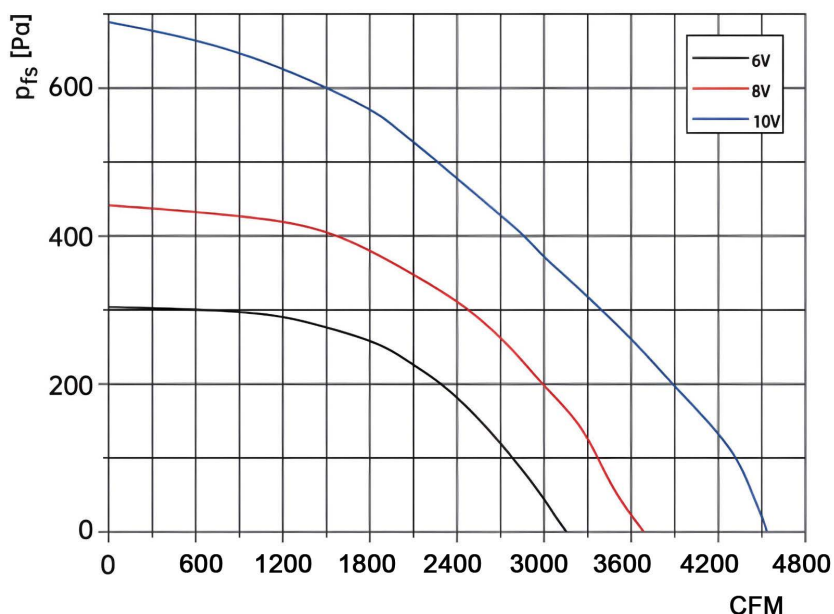
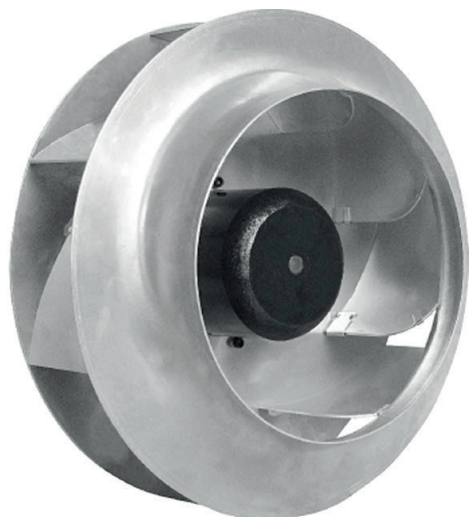
Type	Rated Voltage	Operating Voltage	Current	Power In	Rotating Speed	Noise
	V	V	A	W	RPM	dB(A)
AMI-BS5-FAM450AL00	230	200~277	4.6	1000	1500	83



Wiring Table						
Brown	Blue	Yellow/Green	Red	Blue	Yellow	White
L	N	PE	VDC	GND	0-10VDC/PWM	FG

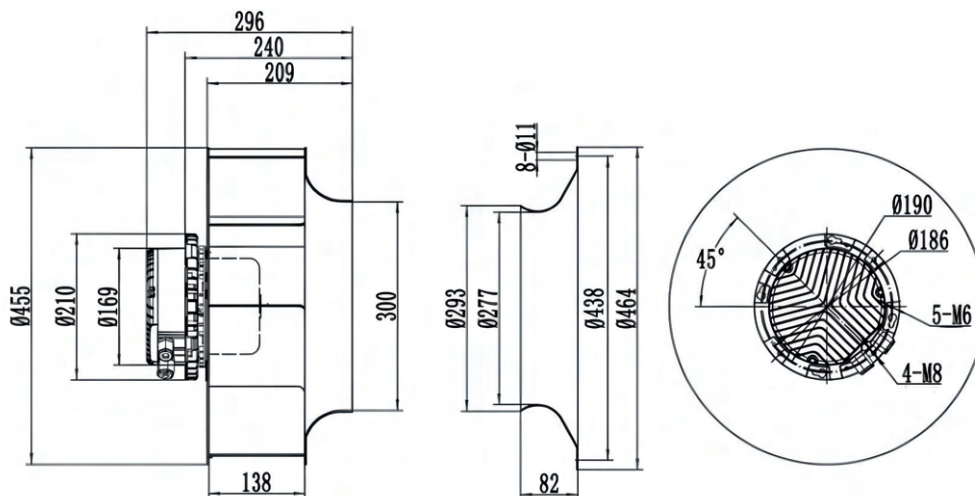
EC CENTRIFUGAL FANS

Φ450 Backward Centrifugal Fans



- **Mode of operation:** S1
- **Control mode:** 0-10V/PWM, RS85(Optional)
- **Insulation:** F
- **Type of protection:** IP42
- **Perm. amb. temp.:** -25- +60°C
- **Impeller material:** Aluminum

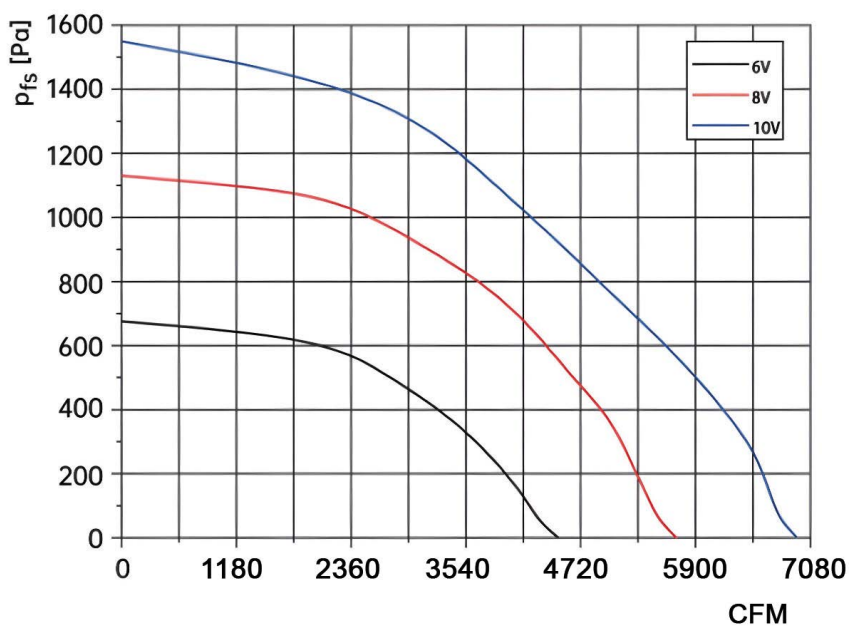
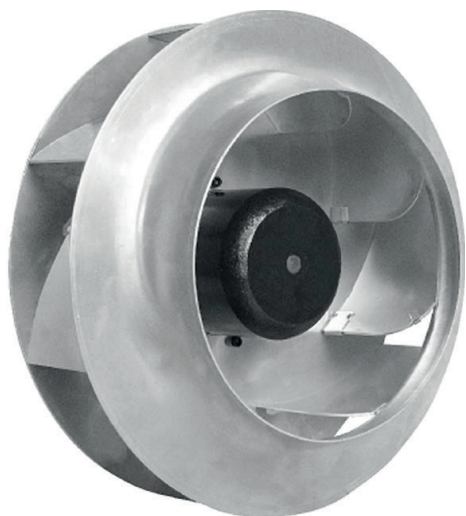
Type	Rated Voltage	Operating Voltage	Current	Power In	Rotating Speed	Noise
	V	V	A	W	RPM	dB(A)
AMI-BS5-FAN450AL00	380	380~480	1.65	1000	1450	82



Wiring Table							
Black	Brown	Blue	Yellow/Green	Red	Blue	Yellow	White
L1	L2	L3	PE	VDC	GND	0-10VDC/PWM	FG

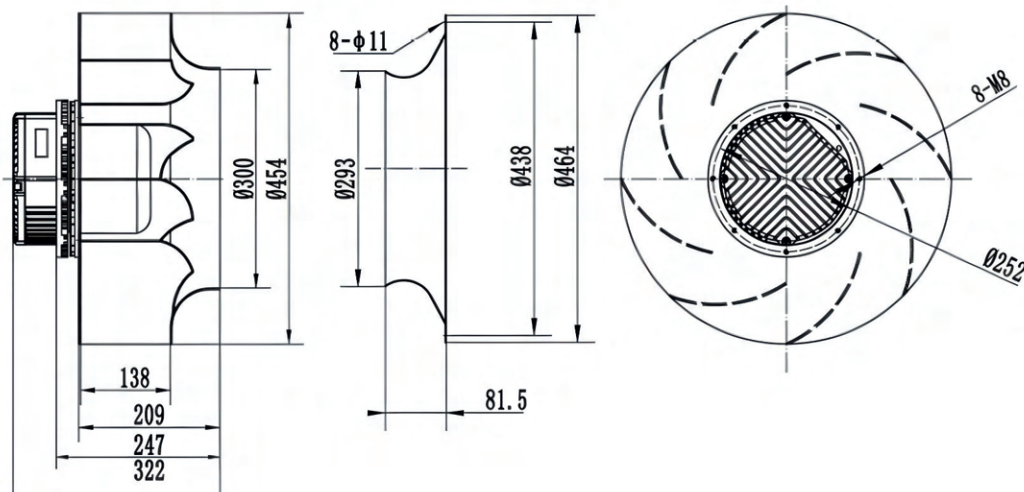
EC CENTRIFUGAL FANS

Φ450 Backward Centrifugal Fans



- Mode of operation: S1
- Control mode: 0-10V/PWM
- Insulation: F
- Type of protection: IP42
- Perm. amb. temp.: -25~ +60°C
- Impeller material: Aluminum
- RS85(Optional)

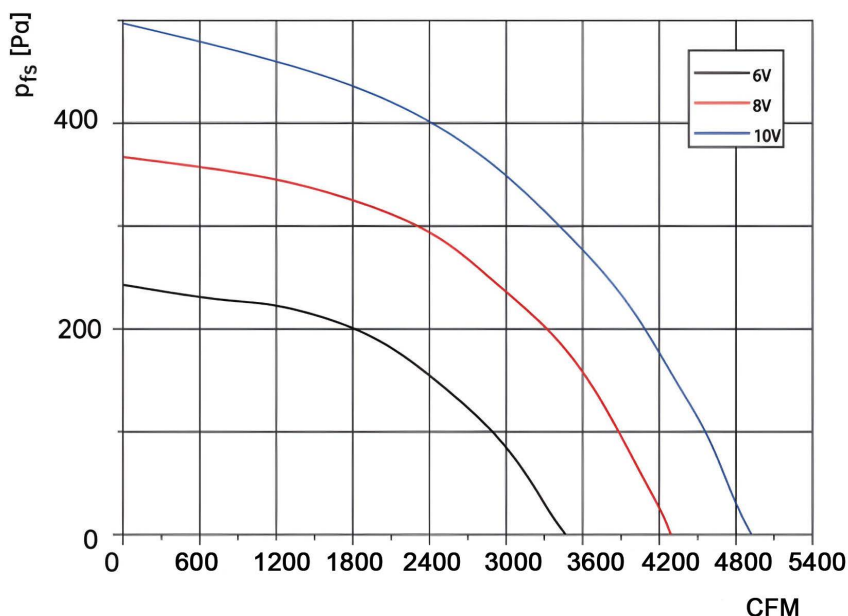
Type	Rated Voltage	Operating Voltage	Current	Power In	Rotating Speed	Noise
	V	V	A	W	RPM	dB(A)
AMI-BS5-FAO450AL00	400	380~480	5.3	3450	2700	≤95



Wiring Table							
Black	Brown	Blue	Yellow/Green	Red	Blue	Yellow	White
L1	L2	L3	PE	VDC	GND	0-10VDC/PWM	FG

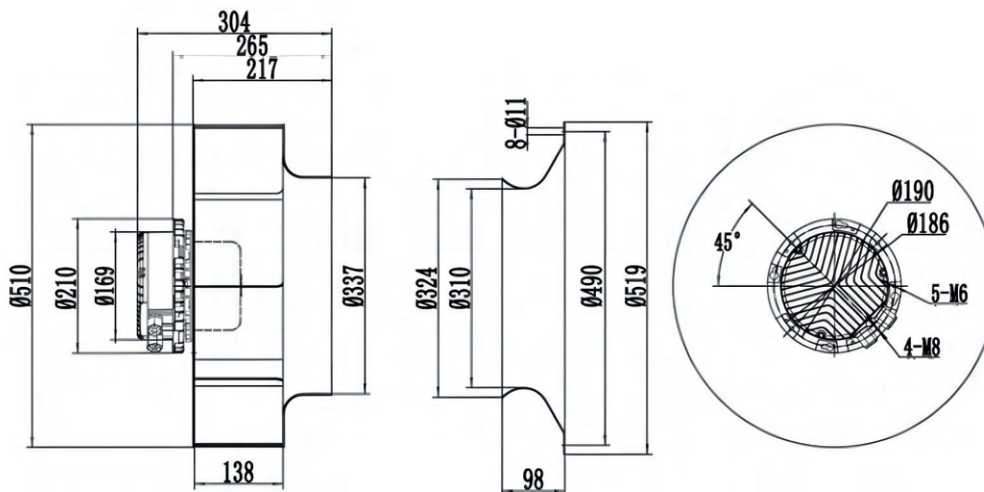
EC CENTRIFUGAL FANS

Φ500 Backward Centrifugal Fans



- **Mode of operation:** S1
- **Control mode:** 0-10V/PWM, RS85(Optional)
- **Insulation:** F
- **Type of protection:** IP42
- **Perm. amb. temp.:** -25- +60°C
- **Impeller material:** Aluminum

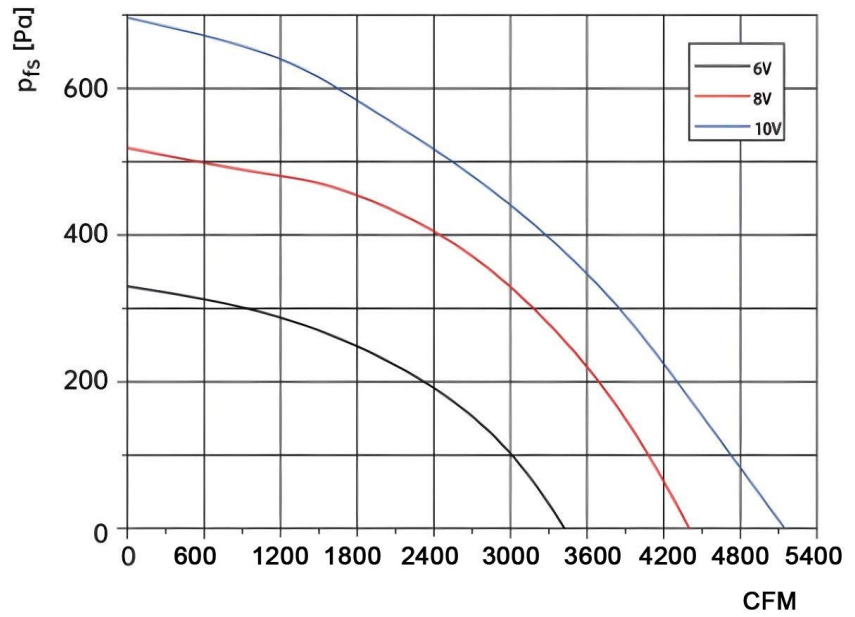
Type	Rated Voltage	Operating Voltage	Current	Power In	Rotating Speed	Noise
	V	V	A	W	RPM	dB(A)
AMI-BS5-FAN500AL00	380	380~480	1.4	830	1150	81



Wiring Table							
Black	Brown	Blue	Yellow/Green	Red	Blue	Yellow	White
L1	L2	L3	PE	VDC	GND	0-10VDC/PWM	FG

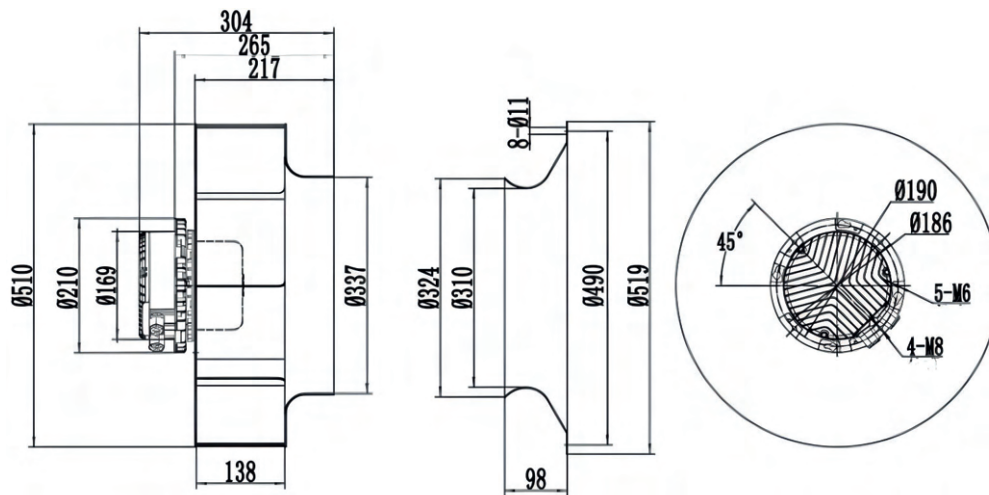
EC CENTRIFUGAL FANS

Φ500 Backward Centrifugal Fans



- Mode of operation: S1
- Control mode: 0-10V/PWM
- Insulation: F
- Type of protection: IP42
- Perm. amb. temp.: -25~ +60°C
- Impeller material: Aluminum
- RS85(Optional)

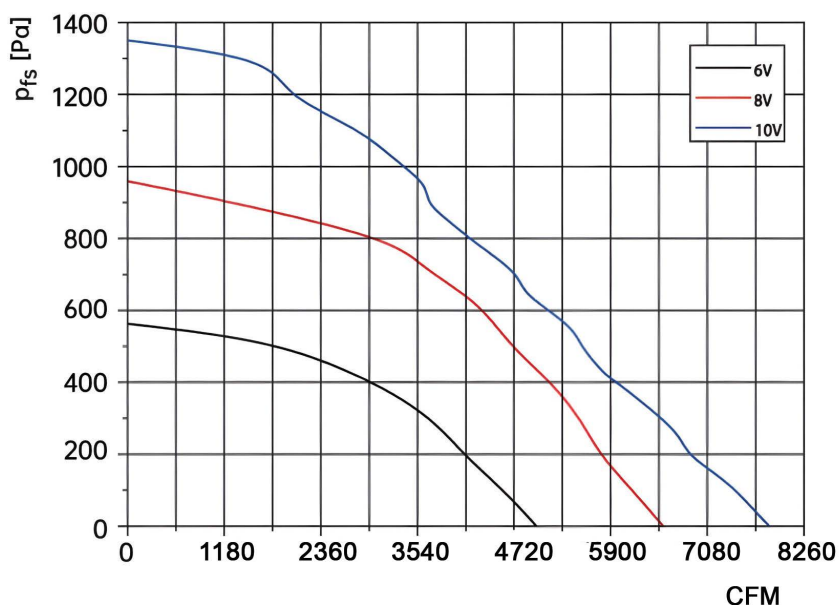
Type	Rated Voltage	Operating Voltage	Current	Power In	Rotating Speed	Noise
	V	V	A	W	RPM	dB(A)
AMI-BS5-FAM500AL00	230	200~277	4.4	1000	1300	81



Wiring Table						
Brown	Blue	Yellow/Green	Red	Blue	Yellow	White
L	N	PE	VDC	GND	0-10VDC/PWM	FG

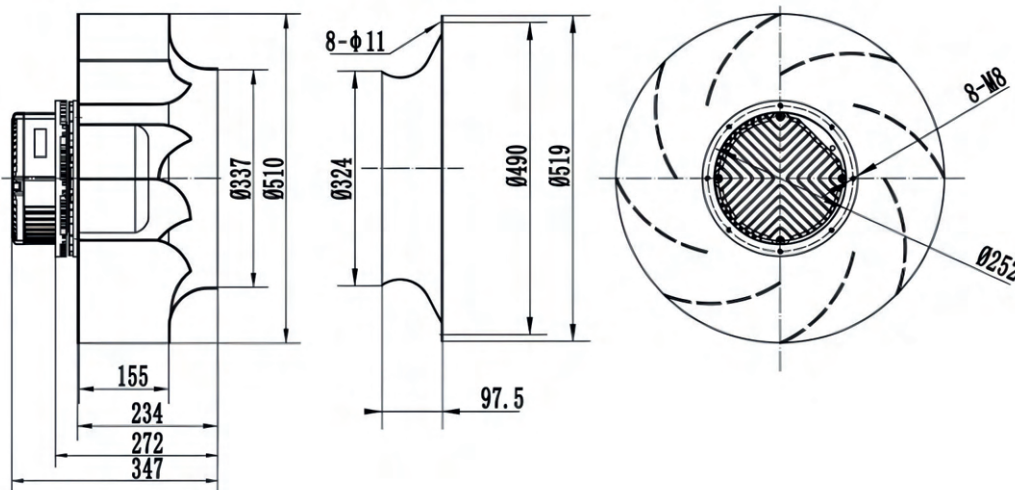
EC CENTRIFUGAL FANS

Φ500 Backward Centrifugal Fans



- Mode of operation: S1
- Control mode: 0-10V/PWM, RS85(Optional)
- Insulation: F
- Type of protection: IP42
- Perm. amb. temp.: -25- +60°C
- Impeller material: Aluminum

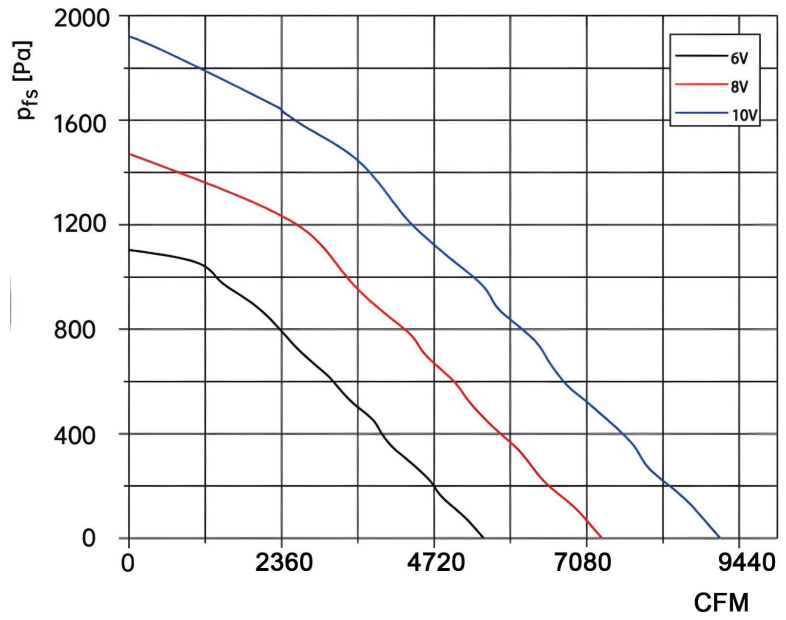
Type	Rated Voltage	Operating Voltage	Current	Power In	Rotating Speed	Noise
	V	V	A	W	RPM	dB(A)
AMI-BS5-FAO500AL00	400	380~480	4.95	3300	1750	90



Wiring Table							
Black	Brown	Blue	Yellow/Green	Red	Blue	Yellow	White
L1	L2	L3	PE	VDC	GND	0-10VDC/PWM	FG

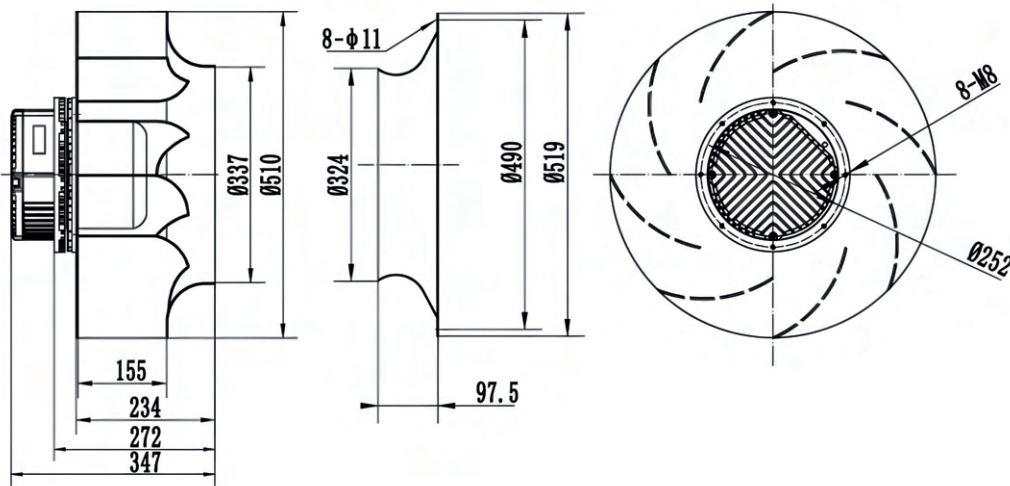
EC CENTRIFUGAL FANS

Φ500 Backward Centrifugal Fans



- Mode of operation: S1
- Control mode: 0-10V/PWM
- Insulation: F
- Type of protection: IP42
- Perm. amb. temp.: -25~ +60°C
- Impeller material: Aluminum

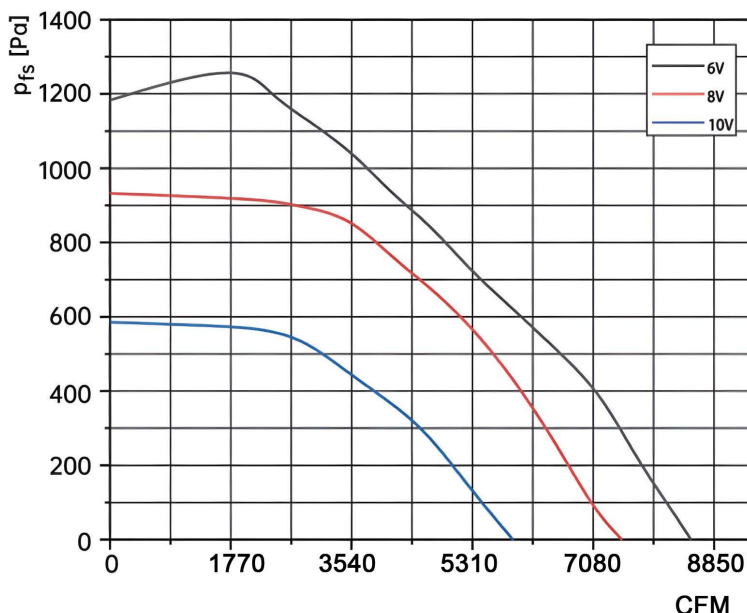
Type	Rated Voltage	Operating Voltage	Current	Power In	Rotating Speed	Noise
	V	V	A	W	RPM	dB(A)
AMI-BS5-FAO500AL01	400	380~480	5.78	5250	2050	92



Wiring Table							
Black	Brown	Blue	Yellow/Green	Red	Blue	Yellow	White
L1	L2	L3	PE	VDC	GND	0-10VDC/PWM	FG

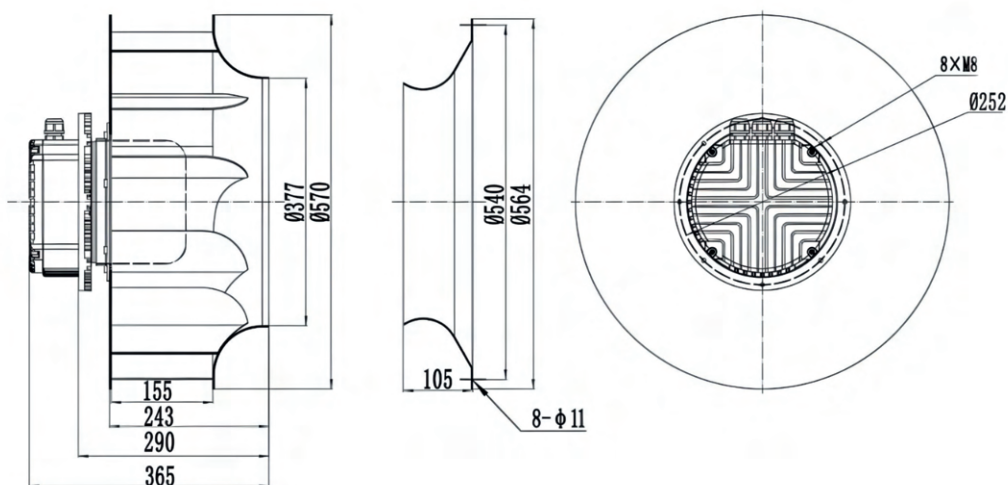
EC CENTRIFUGAL FANS

Φ560 Backward Centrifugal Fans



- Mode of operation: S1
- Control mode: 0-10V/PWM, RS85(Optional)
- Insulation: F
- Type of protection: IP42
- Perm. amb. temp.: -25- +60°C
- Impeller material: Aluminum

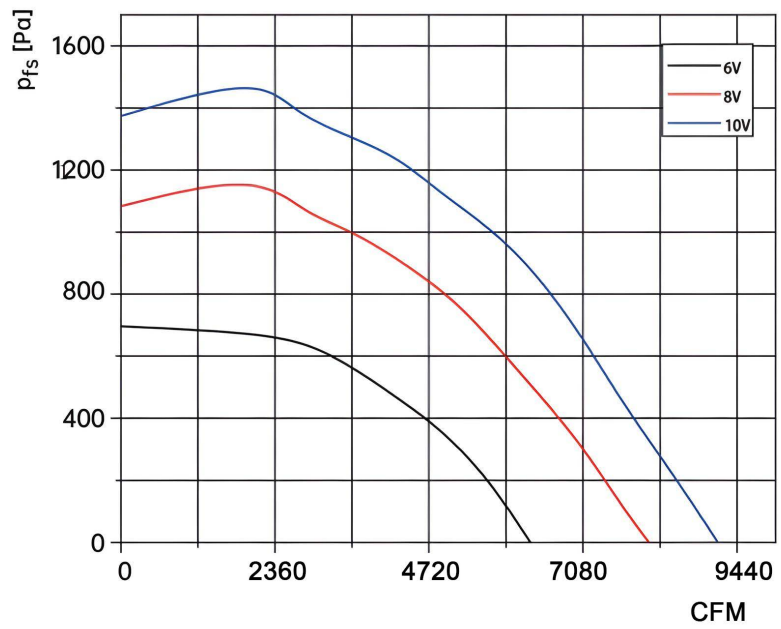
Type	Rated Voltage	Operating Voltage	Current	Power In	Rotating Speed	Noise
	V	V	A	W	RPM	dB(A)
AMI-BS5-FAO560AL00	400	380~480	5.4	2800	1500	83



Wiring Table							
Black	Brown	Blue	Yellow/Green	Red	Blue	Yellow	White
L1	L2	L3	PE	VDC	GND	0-10VDC/PWM	FG

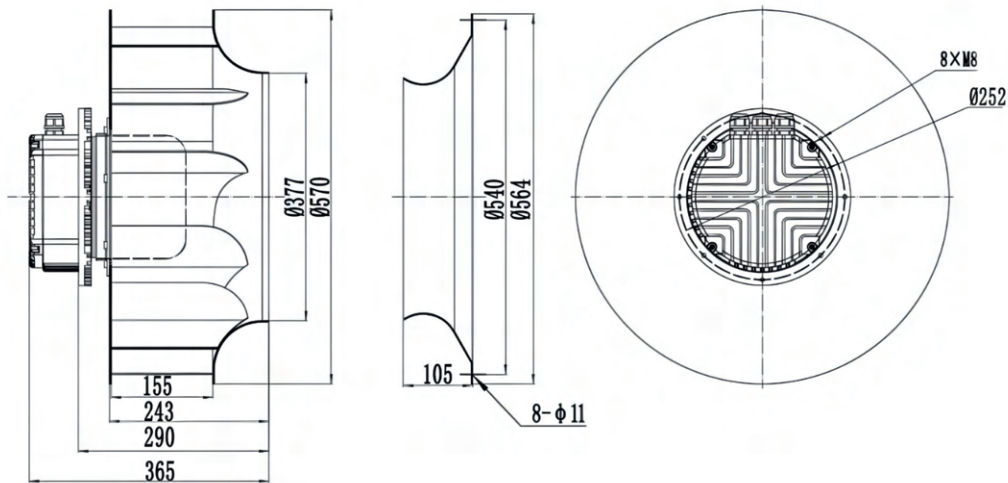
EC CENTRIFUGAL FANS

Φ560 Backward Centrifugal Fans



- **Mode of operation:** S1
- **Control mode:** 0-10V/PWM, RS85(Optional)
- **Insulation:** F
- **Type of protection:** IP42
- **Perm. amb. temp.:** -25- +60°C
- **Impeller material:** Aluminum

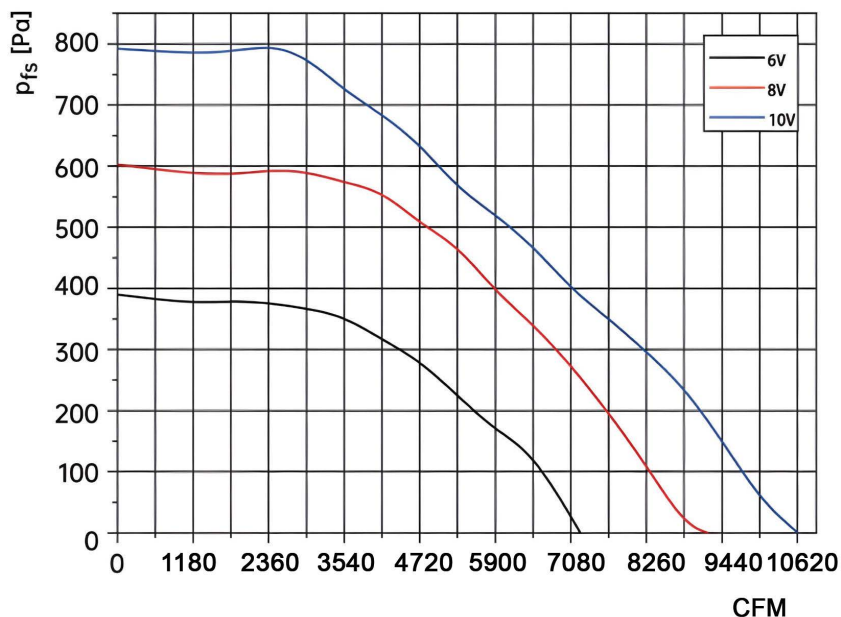
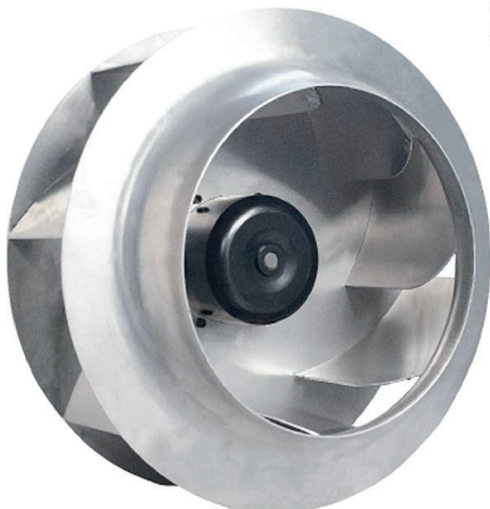
Type	Rated Voltage	Operating Voltage	Current	Power In	Rotating Speed	Noise
	V	V	A	W	RPM	dB(A)
AMI-BS5-FAO560AL03	400	380~480	8.26	5500	1780	91



Wiring Table							
Black	Brown	Blue	Yellow/Green	Red	Blue	Yellow	White
L1	L2	L3	PE	VDC	GND	0-10VDC/PWM	FG

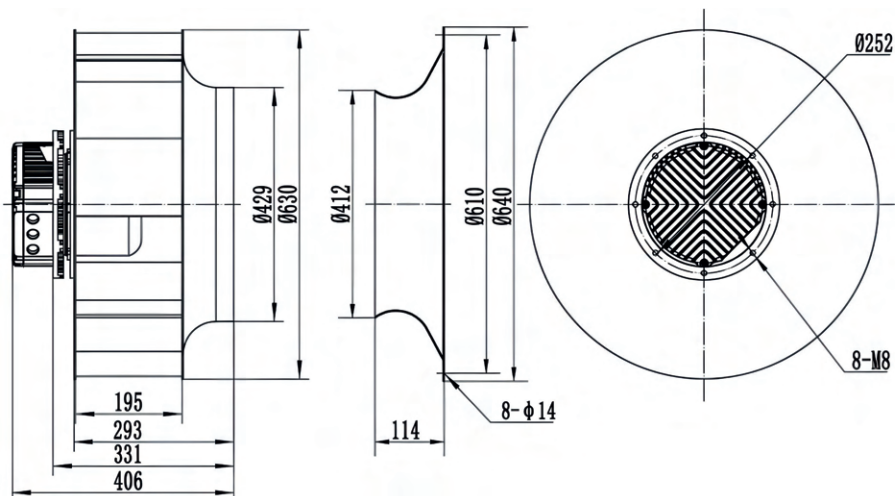
EC CENTRIFUGAL FANS

Φ560 Backward Centrifugal Fans



- Mode of operation: S1
- Control mode: 0-10V/PWM
- Insulation: F
- Type of protection: IP42
- Perm. amb. temp.: -25~ +60°C
- Impeller material: Aluminum

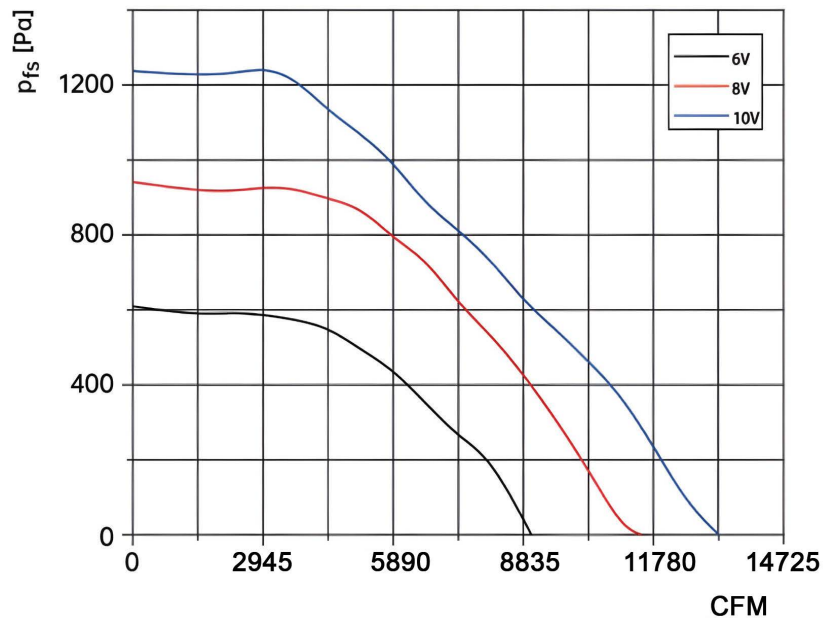
Type	Rated Voltage	Operating Voltage	Current	Power In	Rotating Speed	Noise
	V	V	A	W	RPM	dB(A)
AMI-BS5-FAO560AL01	400	380~480	4.42	2800	1140	85



Wiring Table							
Black	Brown	Blue	Yellow/Green	Red	Blue	Yellow	White
L1	L2	L3	PE	VDC	GND	0-10VDC/PWM	FG

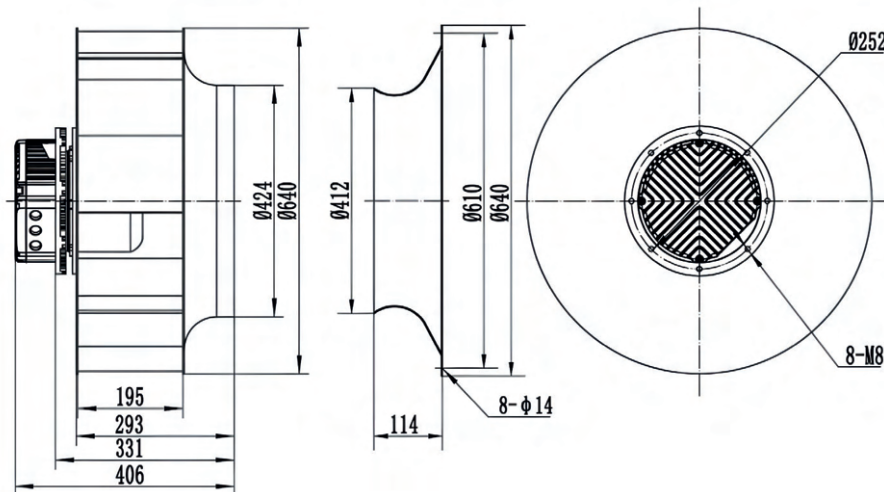
EC CENTRIFUGAL FANS

Φ630 Backward Centrifugal Fans



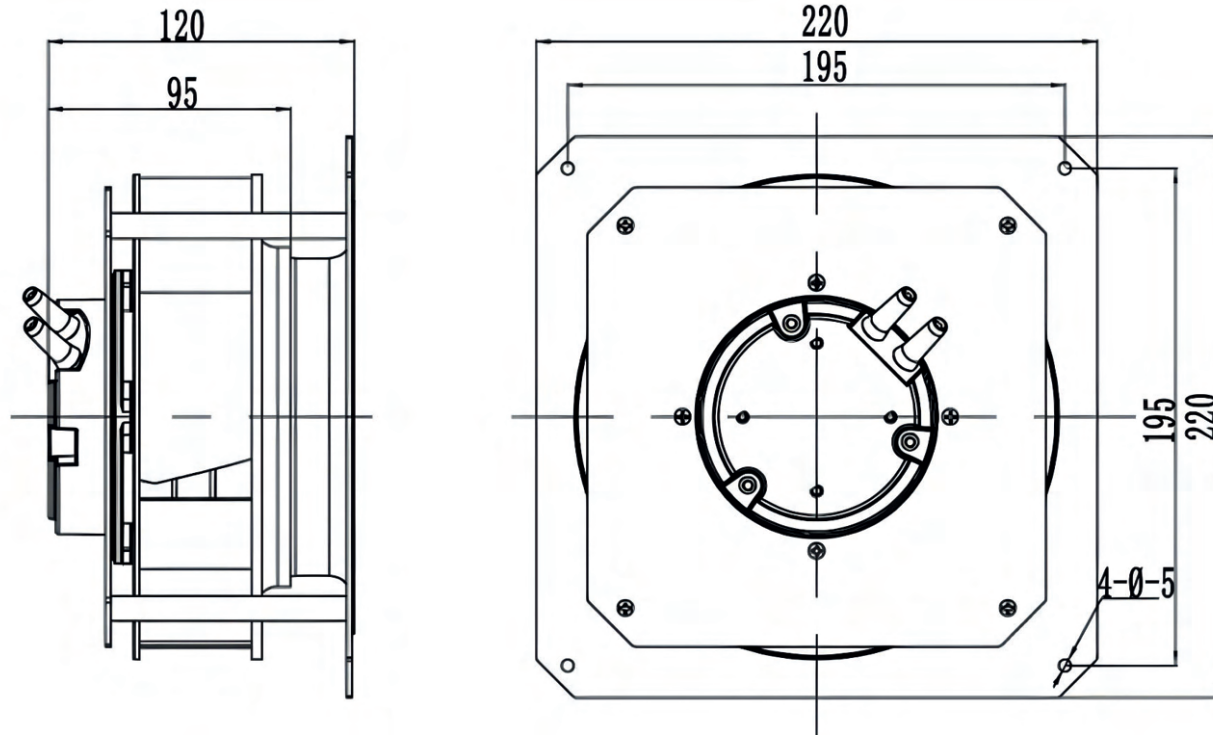
- **Mode of operation:** S1
- **Control mode:** 0-10V/PWM, RS85(Optional)
- **Insulation:** F
- **Type of protection:** IP42
- **Perm. amb. temp.:** -25- +60°C
- **Impeller material:** Aluminum

Type	Rated Voltage	Operating Voltage	Current	Power In	Rotating Speed	Noise
	V	V	A	W	RPM	dB(A)
AMI-BS5-FAO630AL01	400	380~480	8.68	5500	1430	90



Wiring Table							
Black	Brown	Blue	Yellow/Green	Red	Blue	Yellow	White
L1	L2	L3	PE	VDC	GND	0-10VDC/PWM	FG

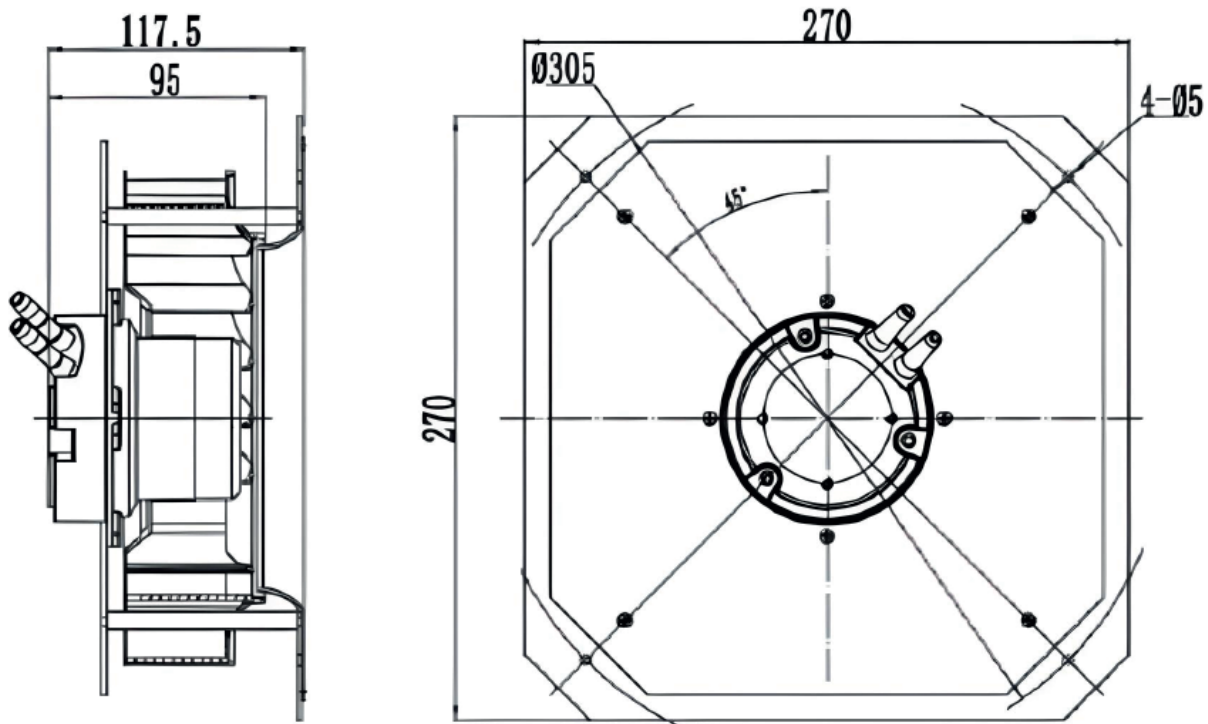
Φ190 EC backward centrifugal fans with support bracket



(Refer to page 50 for performance data)

Approvals: 

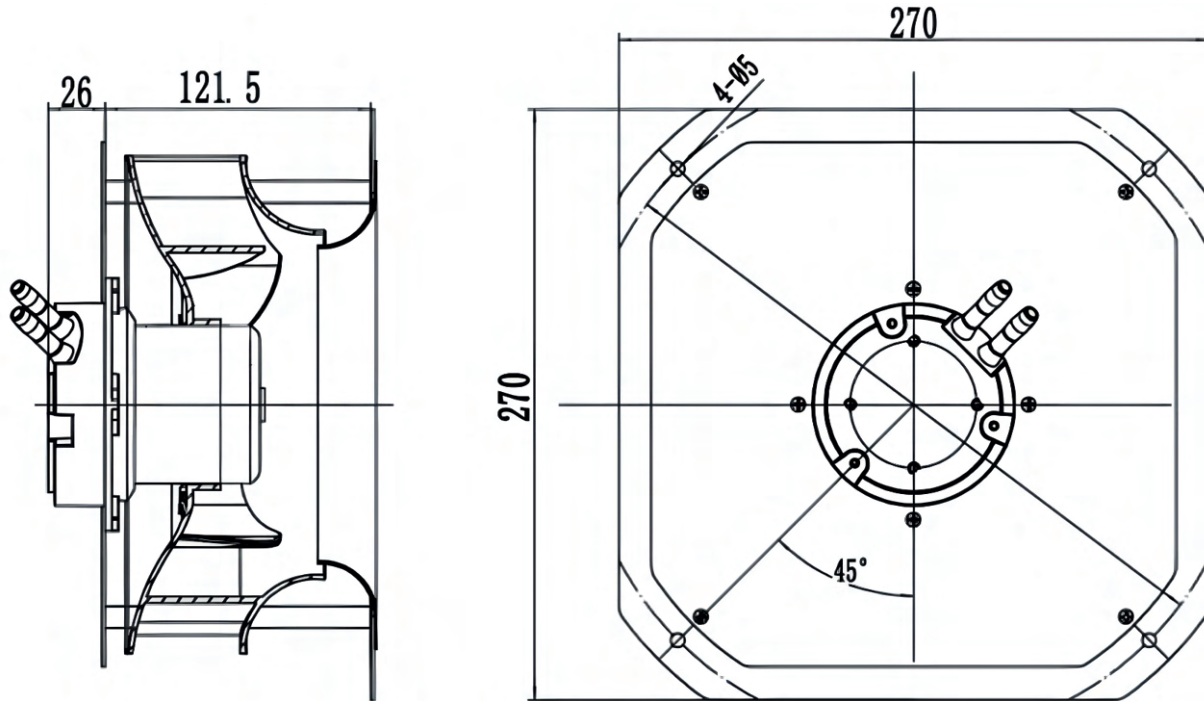
Φ220 EC backward centrifugal fans with support bracket



(Refer to page 51 for performance data)

Approvals: 

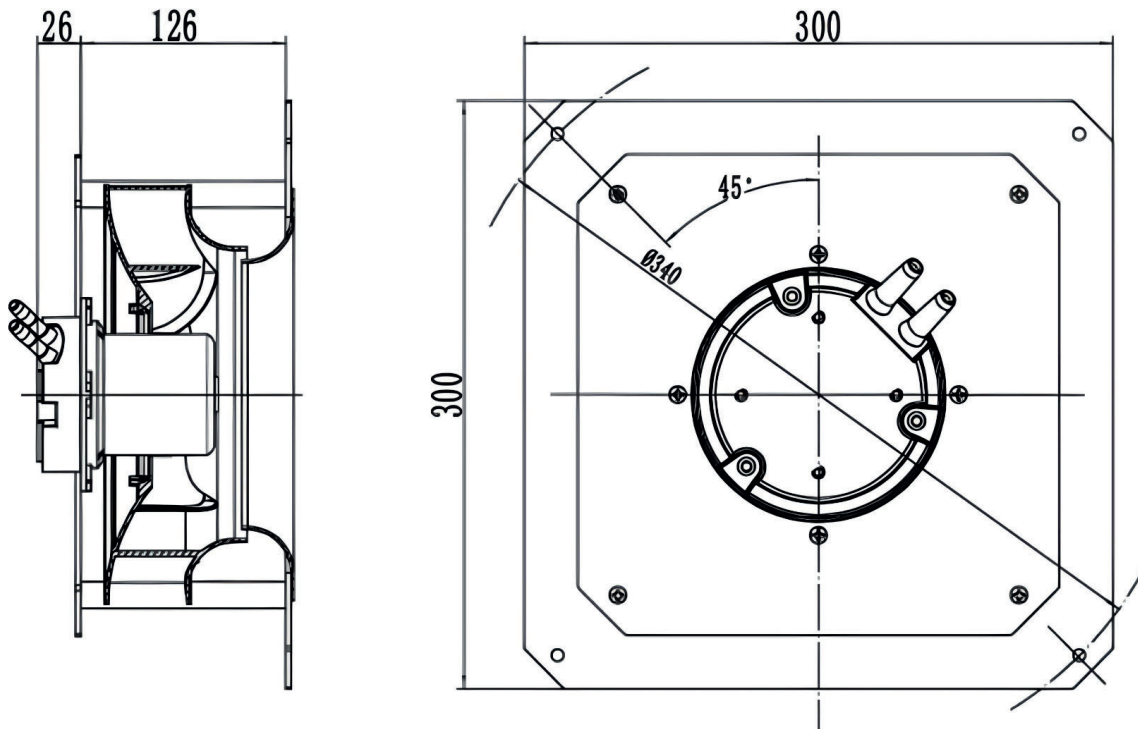
Φ225 EC backward centrifugal fans with support bracket



(Refer to page 53 for performance data)

Approvals: 

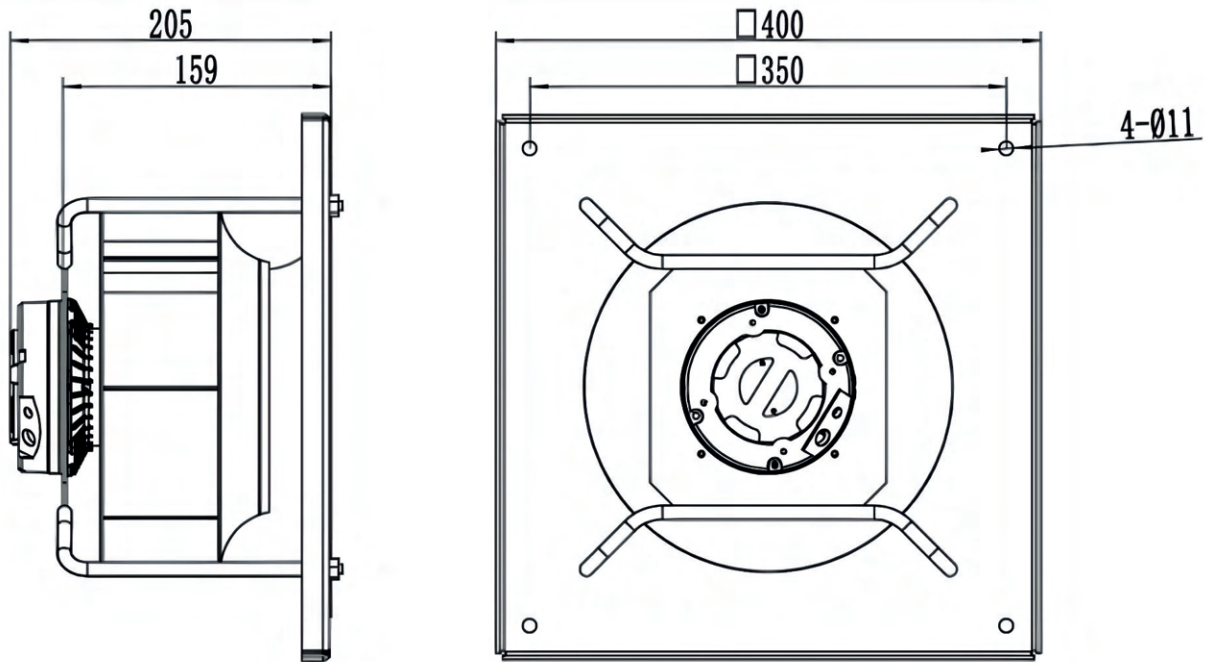
Φ250 EC backward centrifugal fans with support bracket



(Refer to page 55 for performance data)

Approvals: 

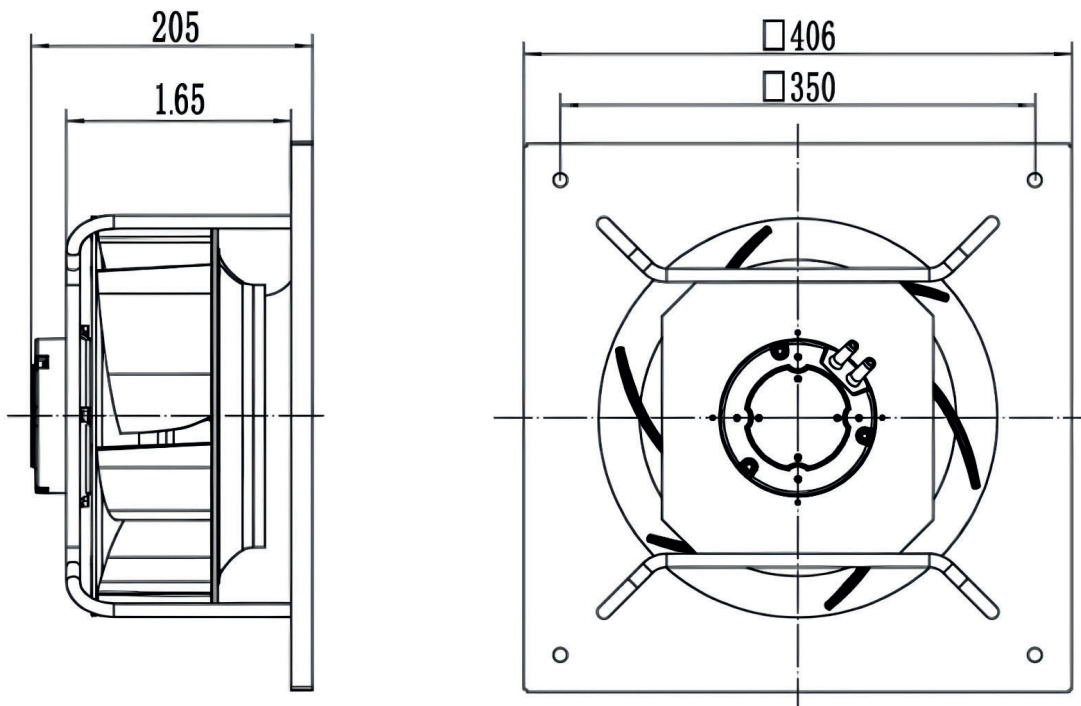
Φ250 EC backward centrifugal fans with support bracket



(Refer to page 58 for performance data)

Approvals: 

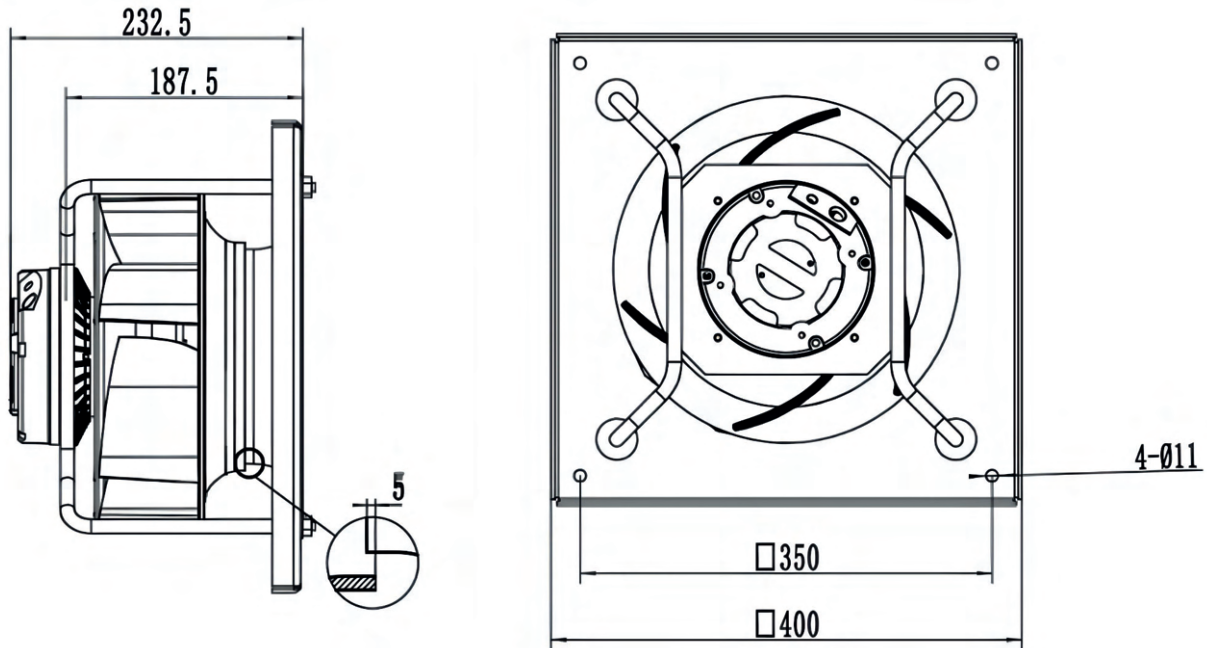
Φ280 EC backward centrifugal fans with support bracket



(Refer to page 59 for performance data)

Approvals: 

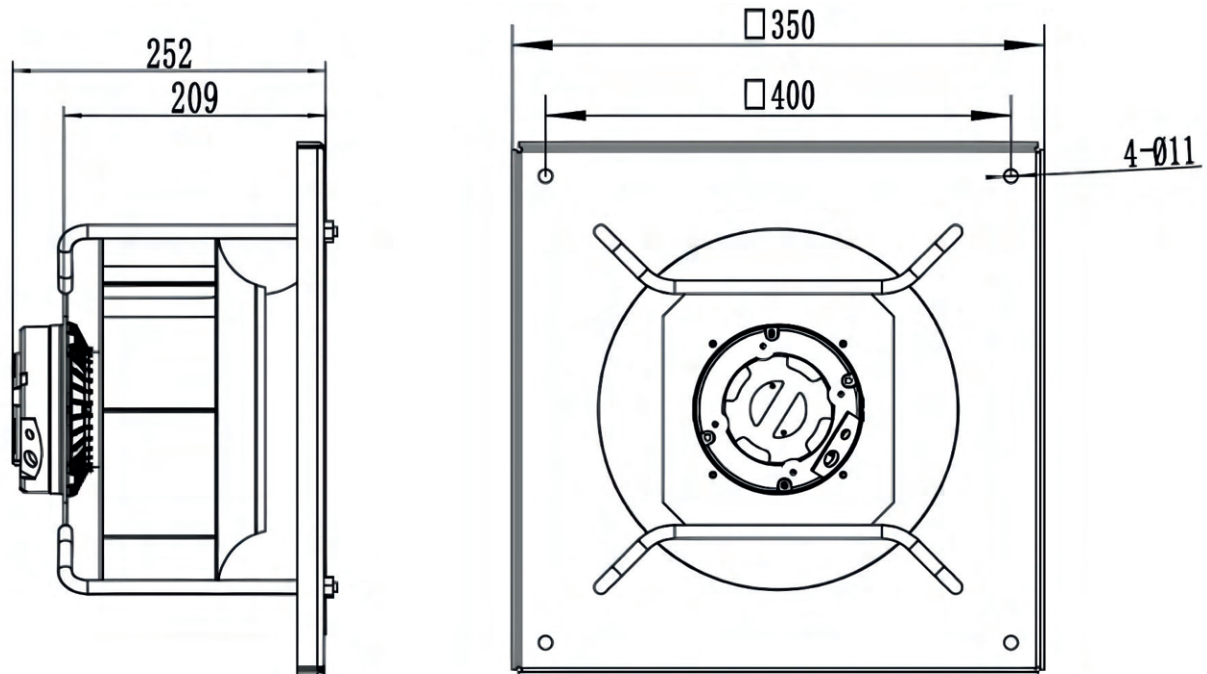
Φ280 EC backward centrifugal fans with support bracket



(Refer to page 62 for performance data)

Approvals: 

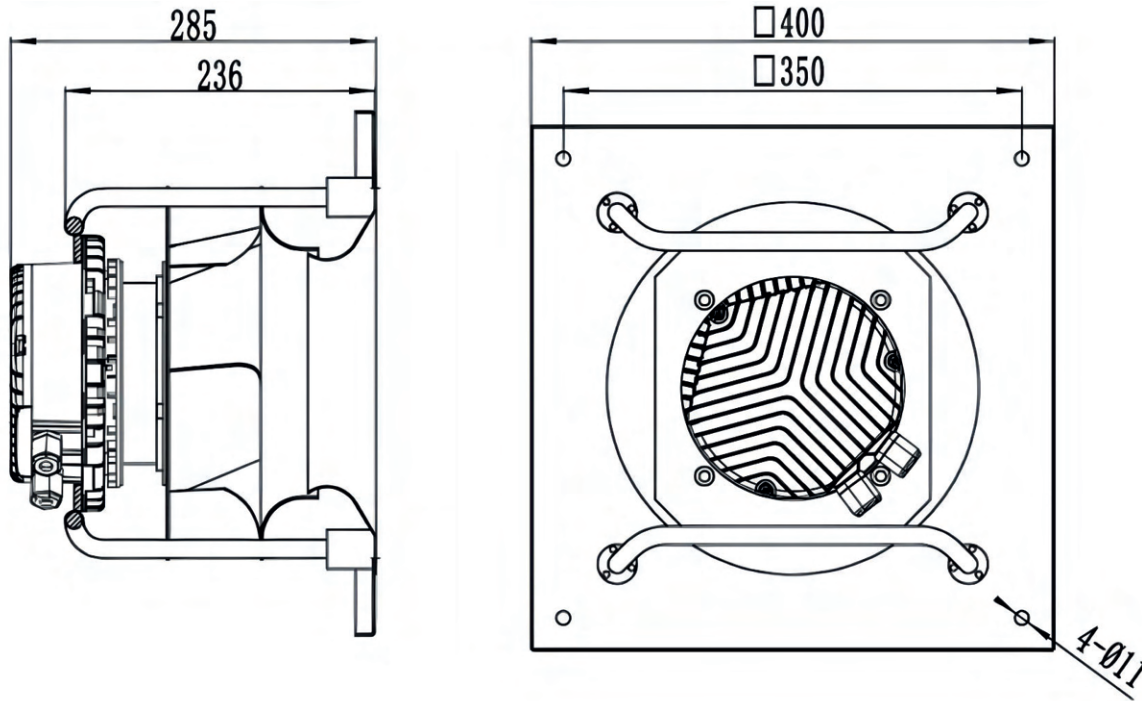
Φ280 EC backward centrifugal fans with support bracket



(Refer to page 63 for performance data)

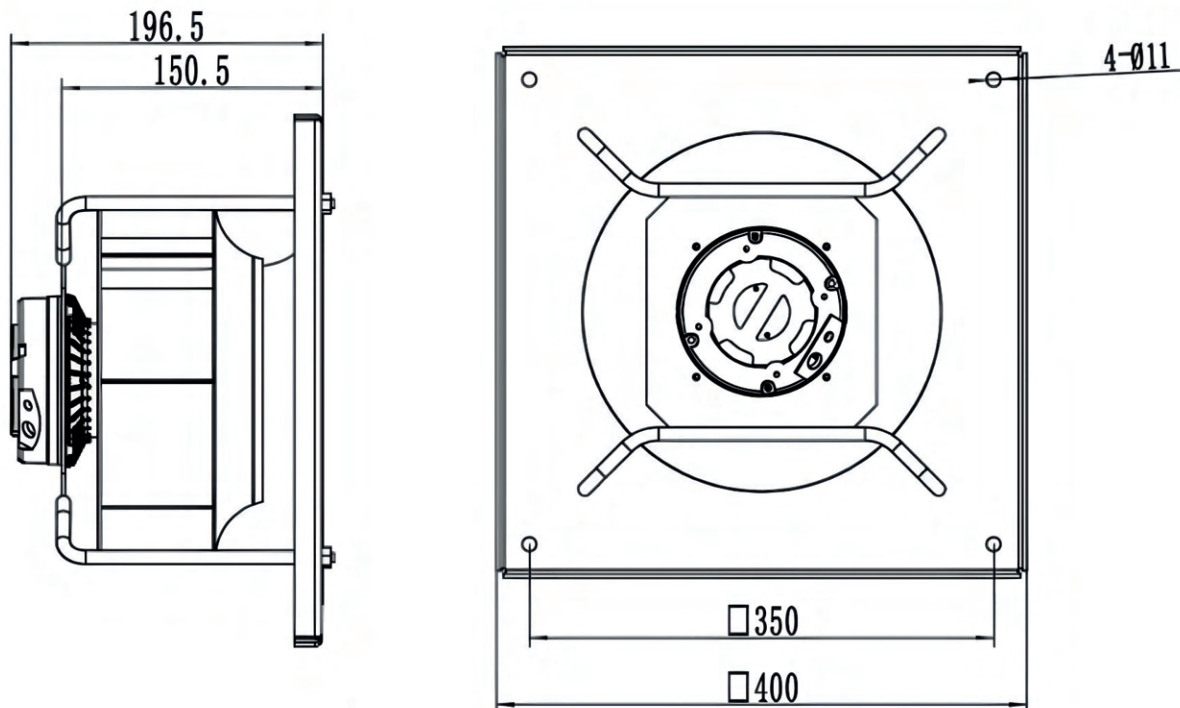
Approvals: 

Φ280 EC backward centrifugal fans with support bracket



(Refer to page 64 for performance data)

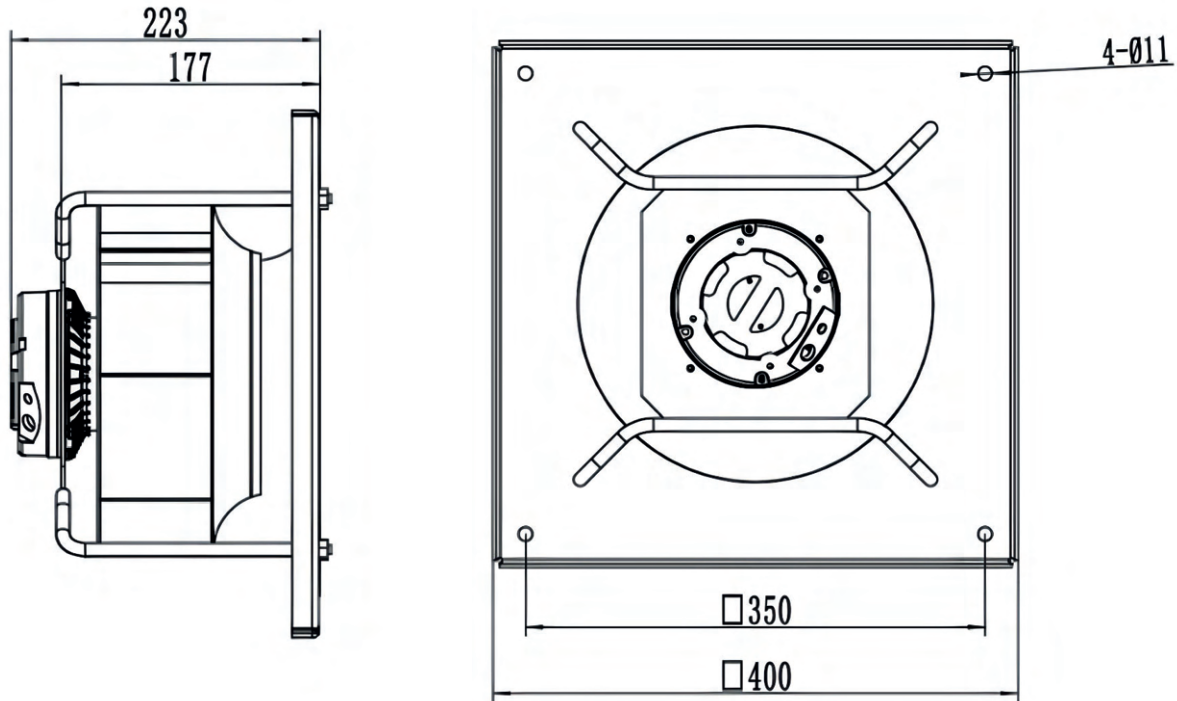
Φ310 EC backward centrifugal fans with support bracket



(Refer to page 67 for performance data)

Approvals: 

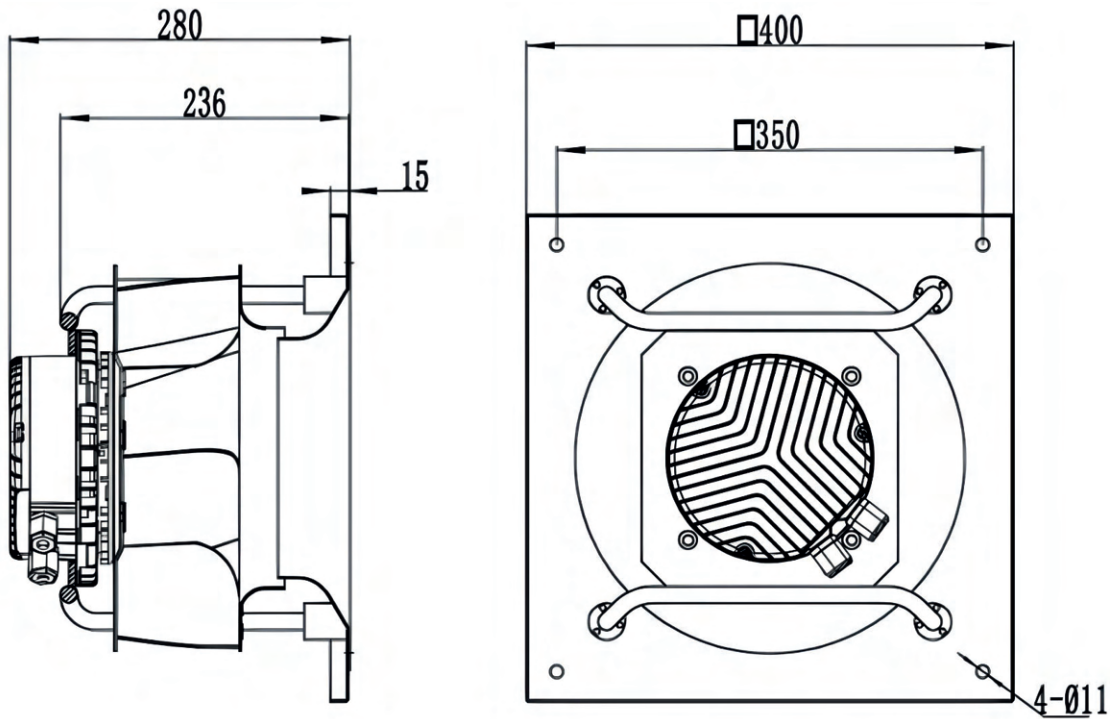
Φ310 EC backward centrifugal fans with support bracket



(Refer to page 68 for performance data)

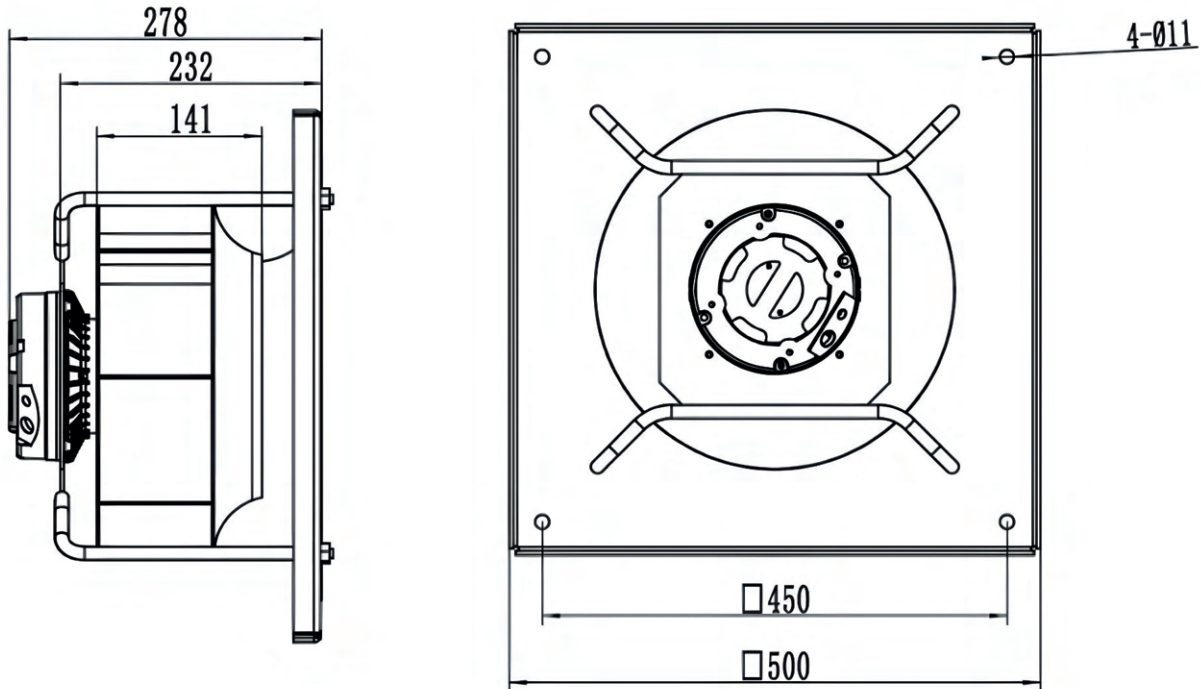
Approvals: 

Φ310 EC backward centrifugal fans with support bracket



(Refer to page 69 for performance data)

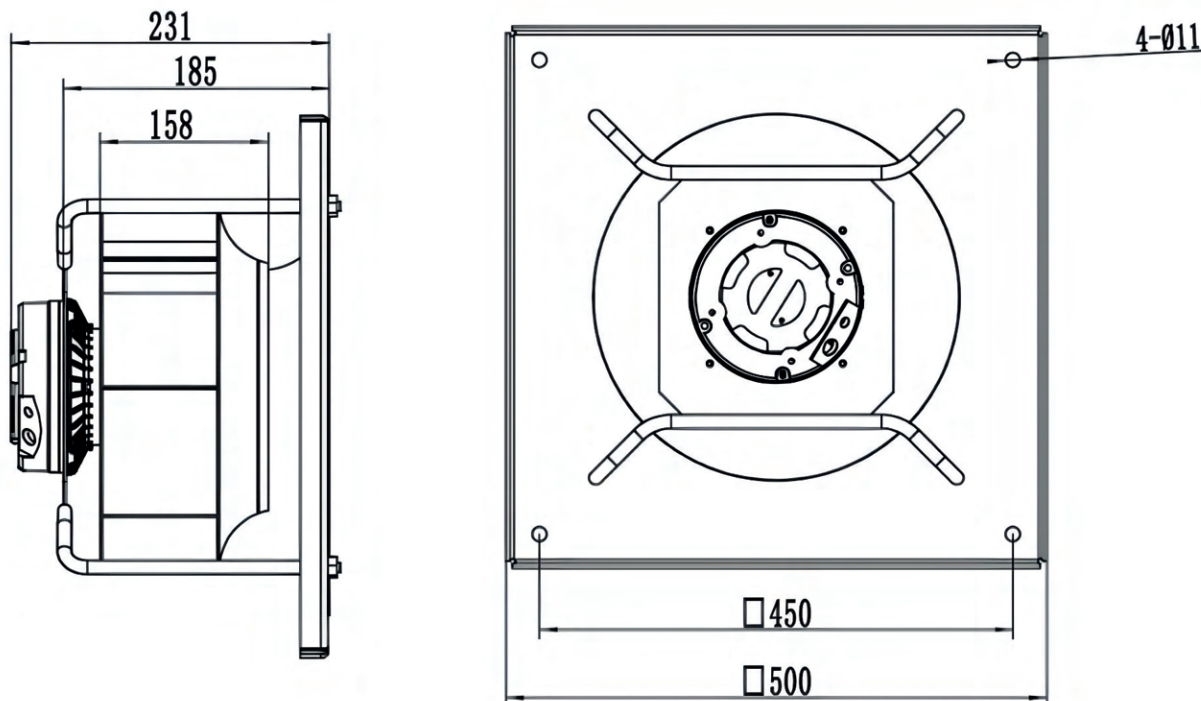
Φ355 EC backward centrifugal fans with support bracket



(Refer to page 70 for performance data)

Approvals: 

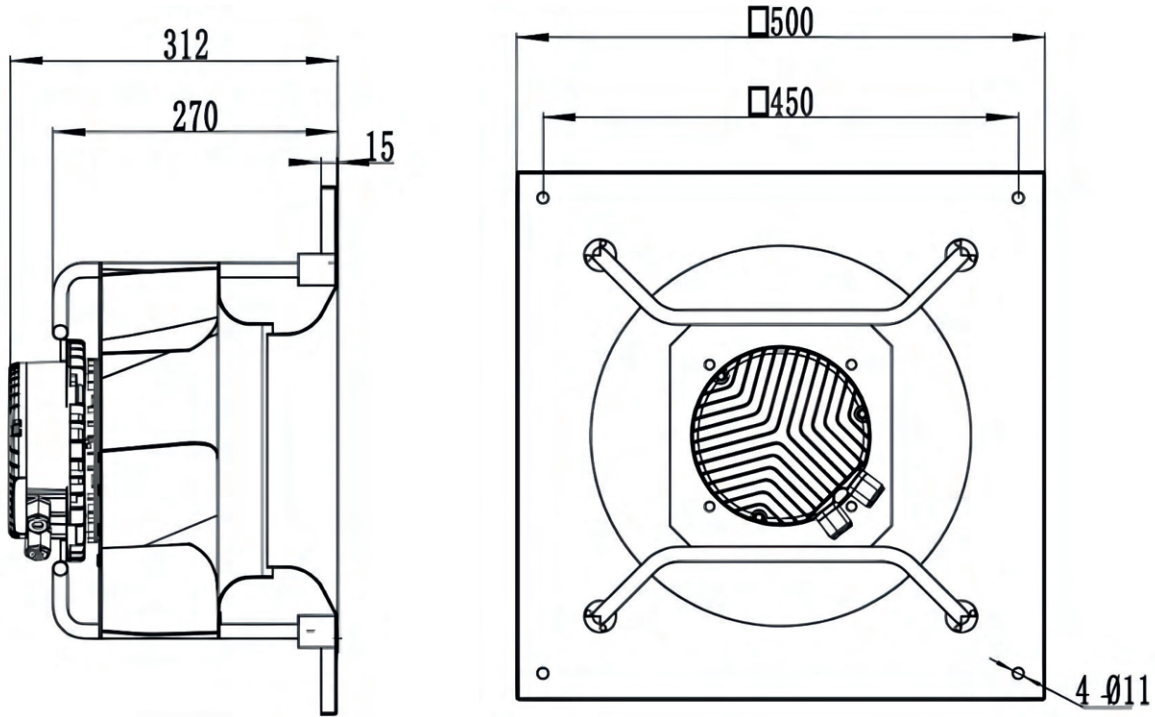
Φ355 EC backward centrifugal fans with support bracket



(Refer to page 71 for performance data)

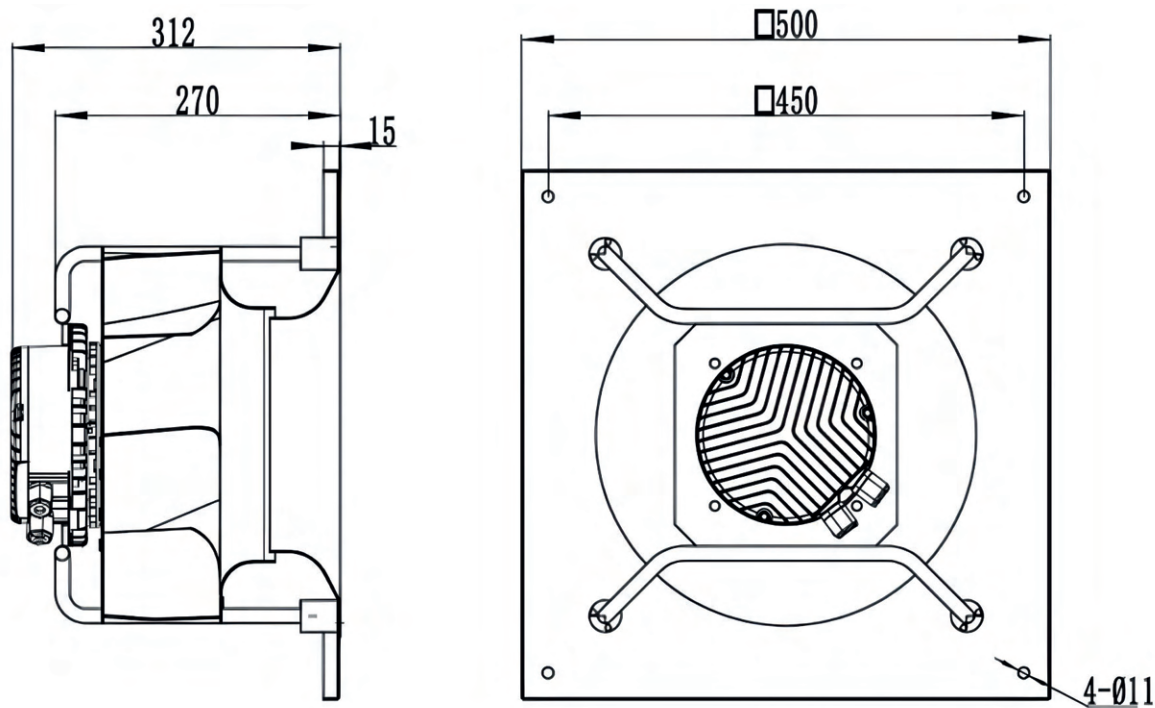
Approvals: 

Φ355 EC backward centrifugal fans with support bracket



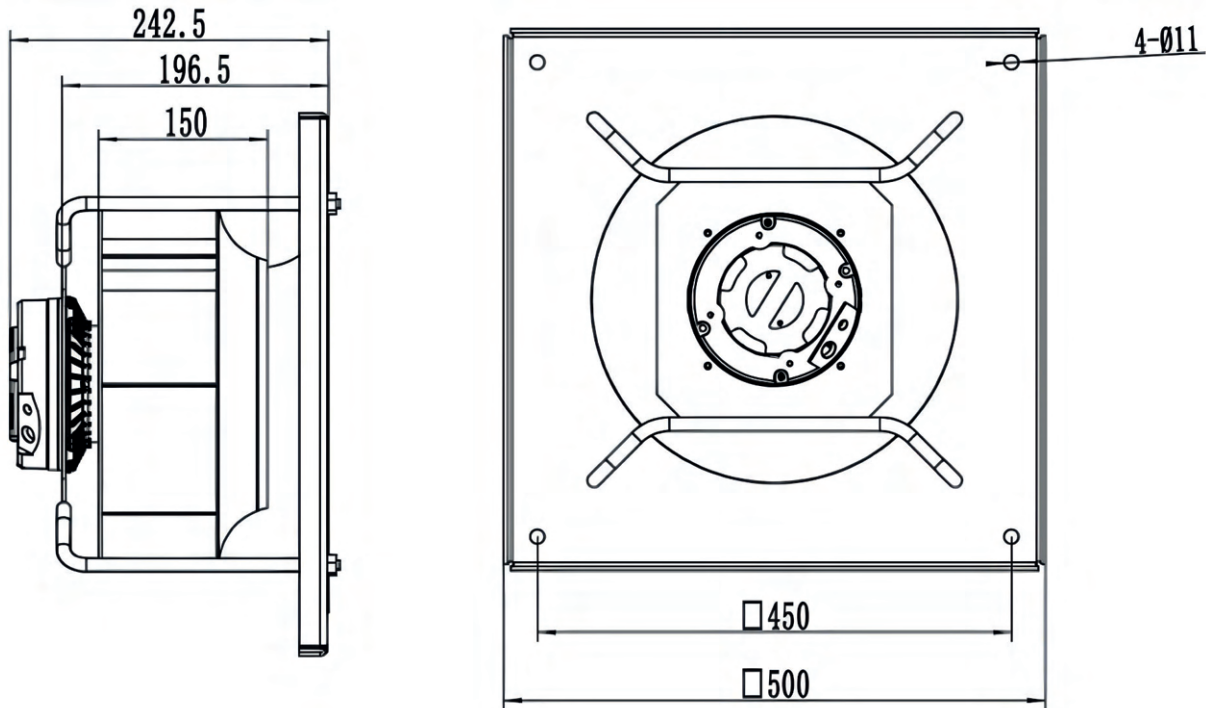
(Refer to page 72 for performance data)

Φ355 EC backward centrifugal fans with support bracket



(Refer to page 73 for performance data)

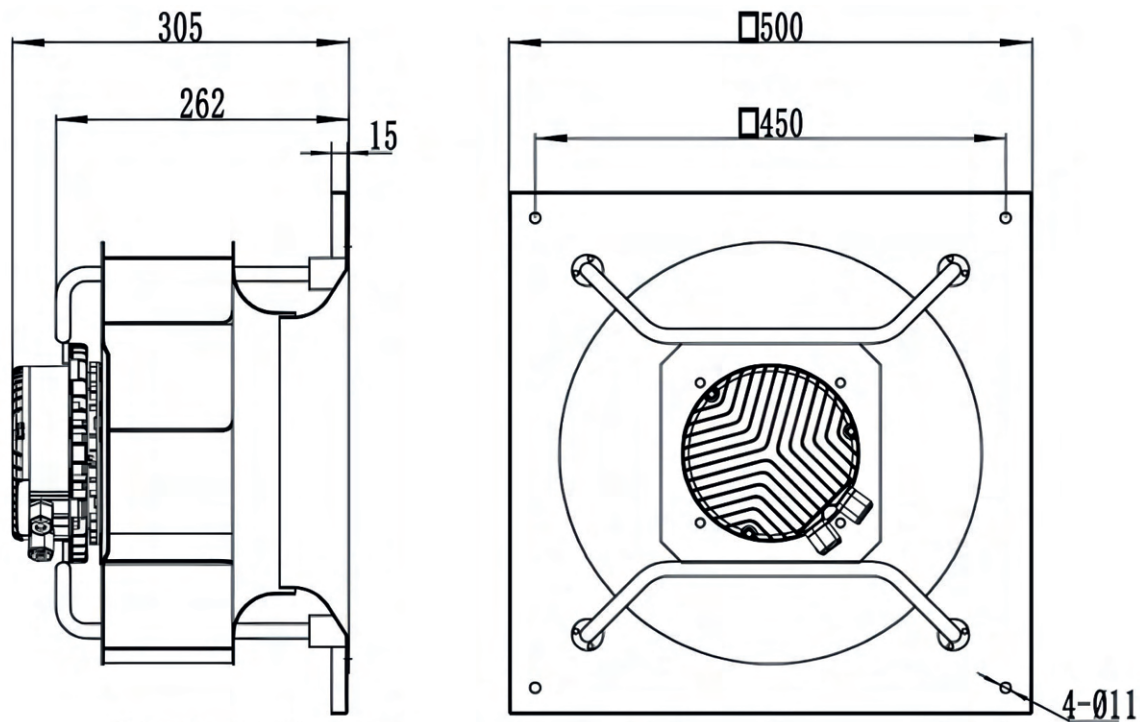
Φ400 EC backward centrifugal fans with support bracket



(Refer to page 74 for performance data)

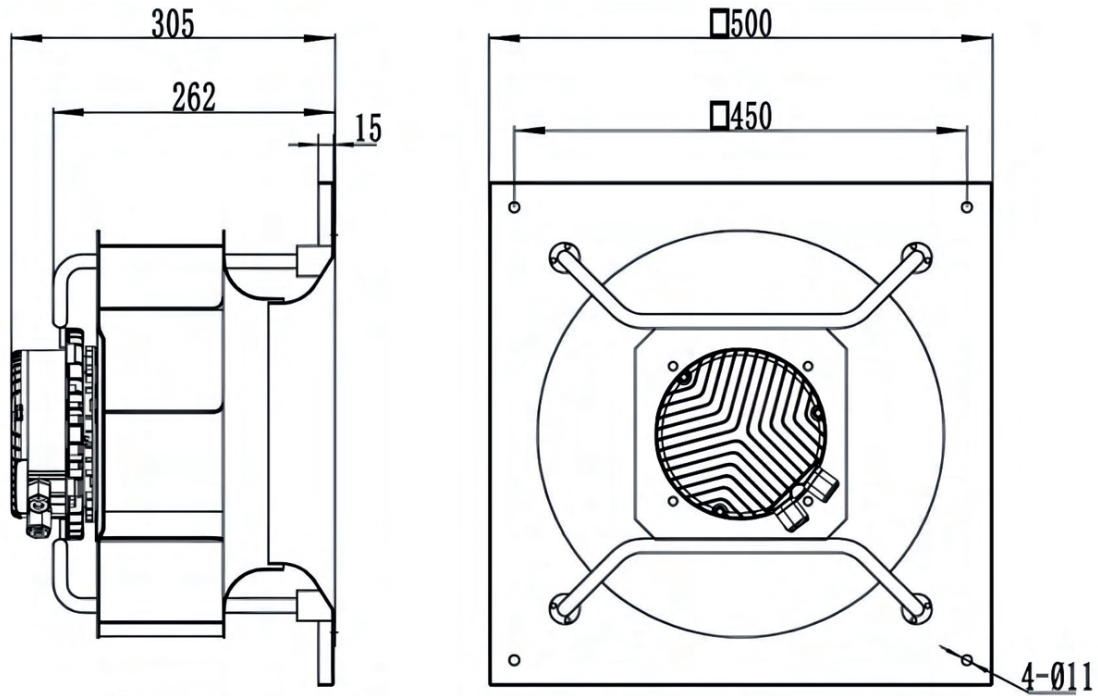
Approvals: 

Φ400 EC backward centrifugal fans with support bracket



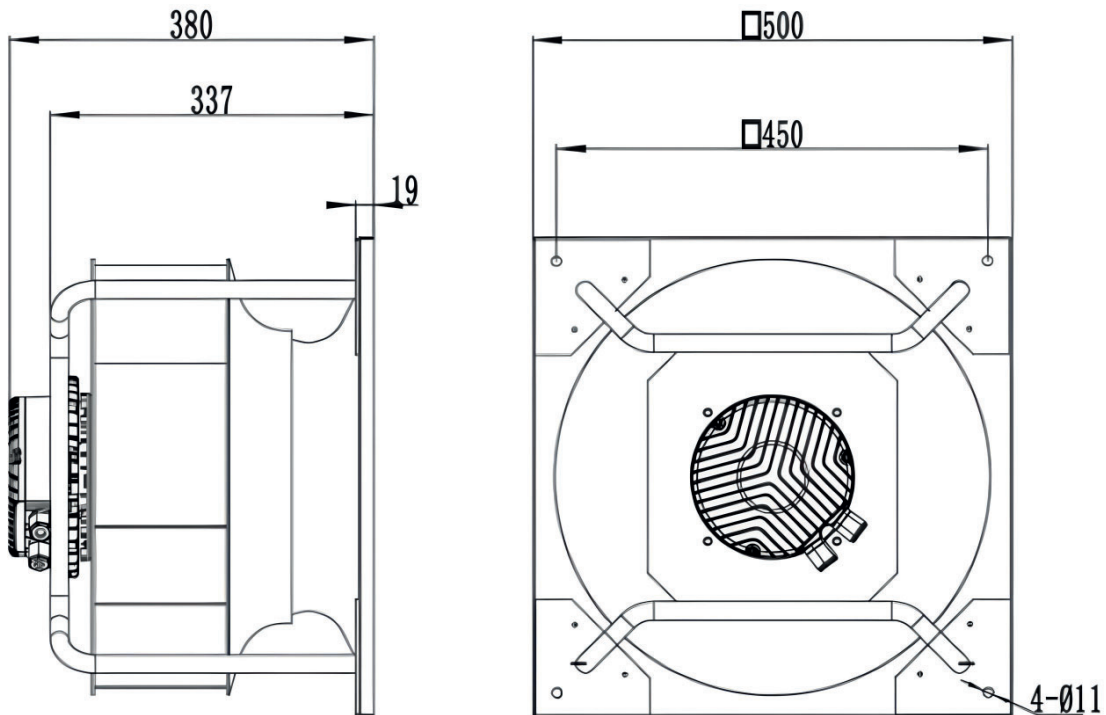
(Refer to page 75 for performance data)

Φ400 EC backward centrifugal fans with support bracket



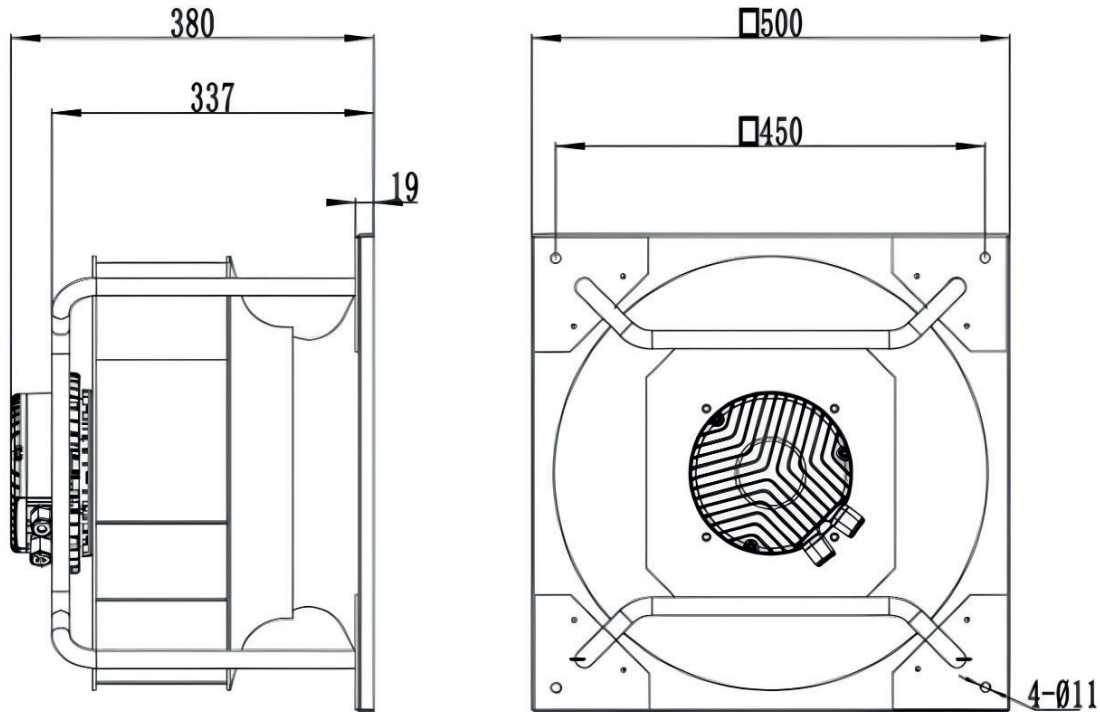
(Refer to page 76 for performance data)

Φ450 EC backward centrifugal fans with support bracket



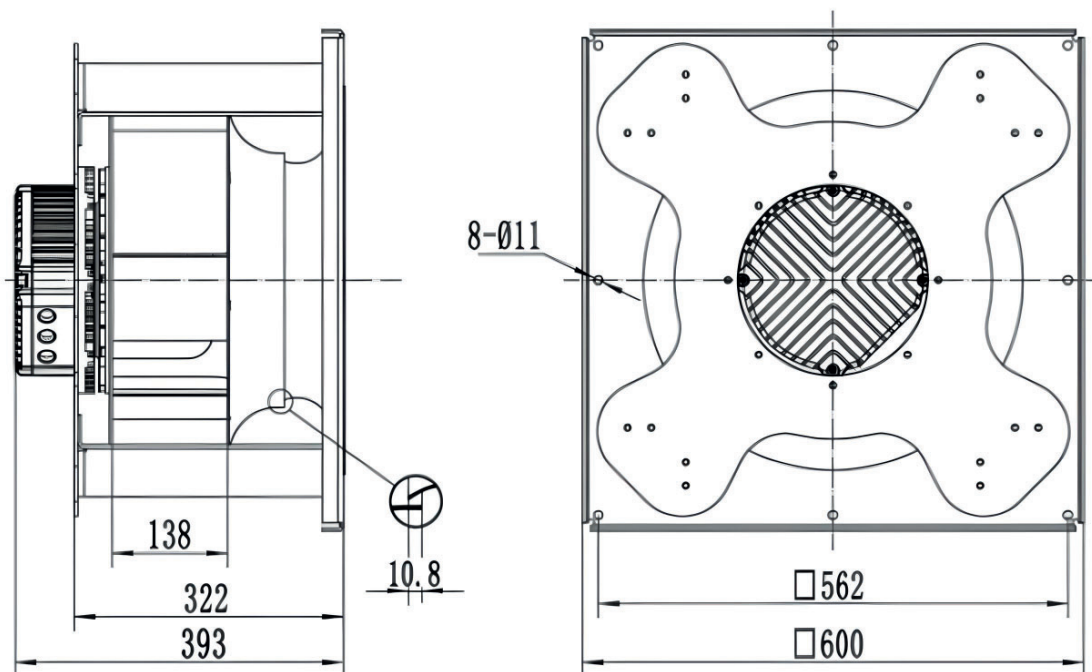
(Refer to page 77 for performance data)

Φ450 EC backward centrifugal fans with support bracket



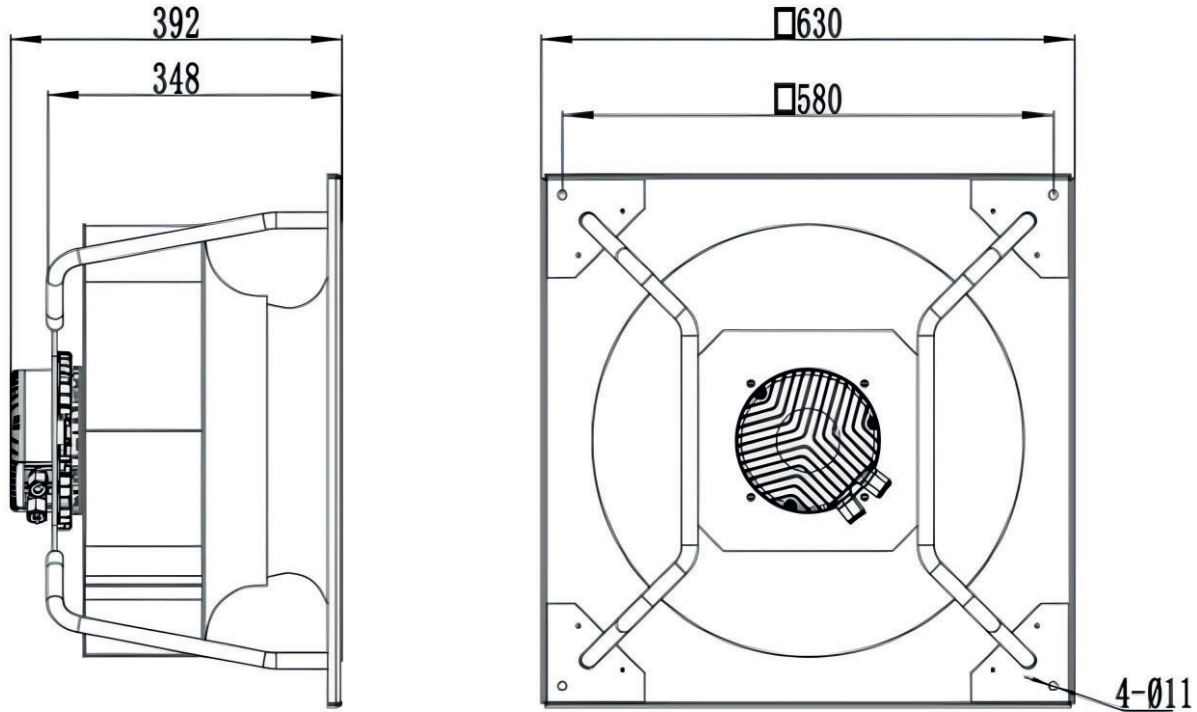
(Refer to page 78 for performance data)

Φ450 EC backward centrifugal fans with support bracket



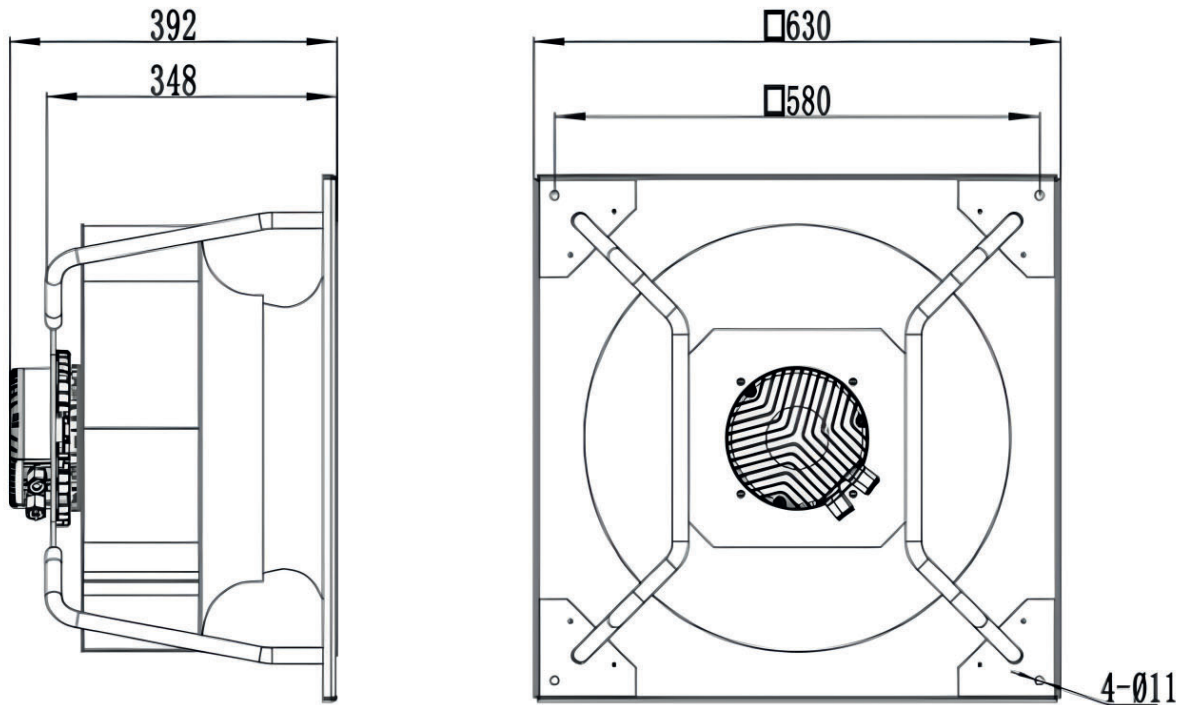
(Refer to page 79 for performance data)

Φ500 EC backward centrifugal fans with support bracket



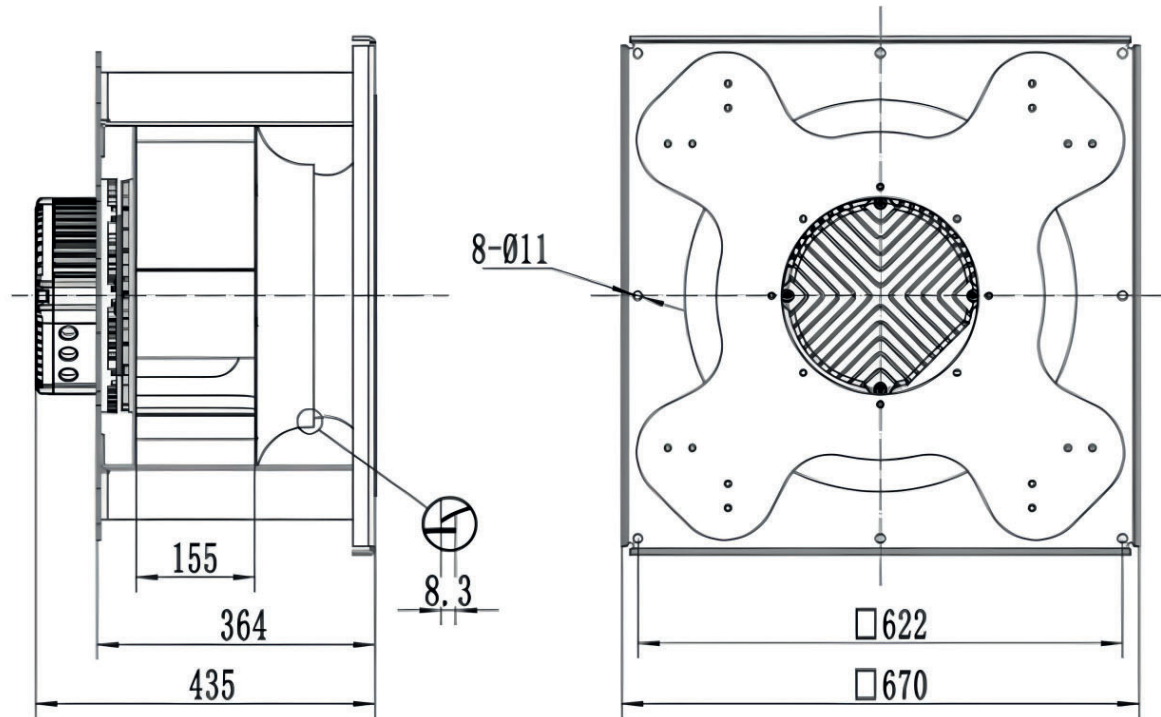
(Refer to page 80 for performance data)

Φ500 EC backward centrifugal fans with support bracket



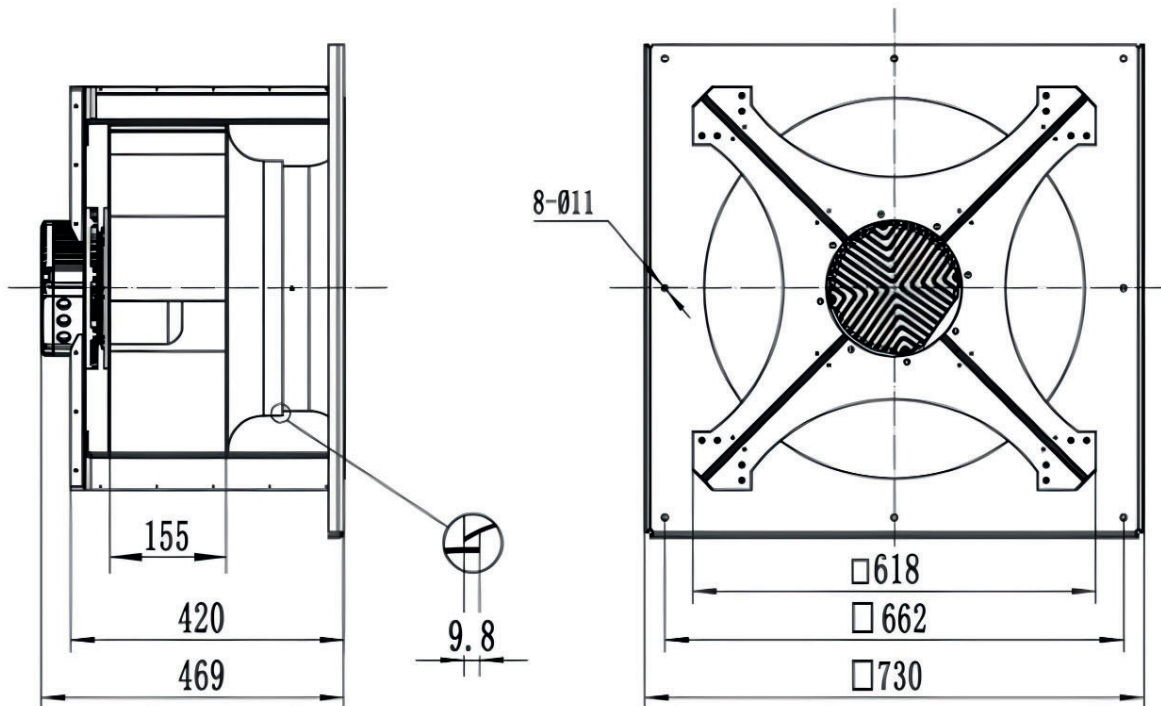
(Refer to page 81 for performance data)

Φ500 EC backward centrifugal fans with support bracket



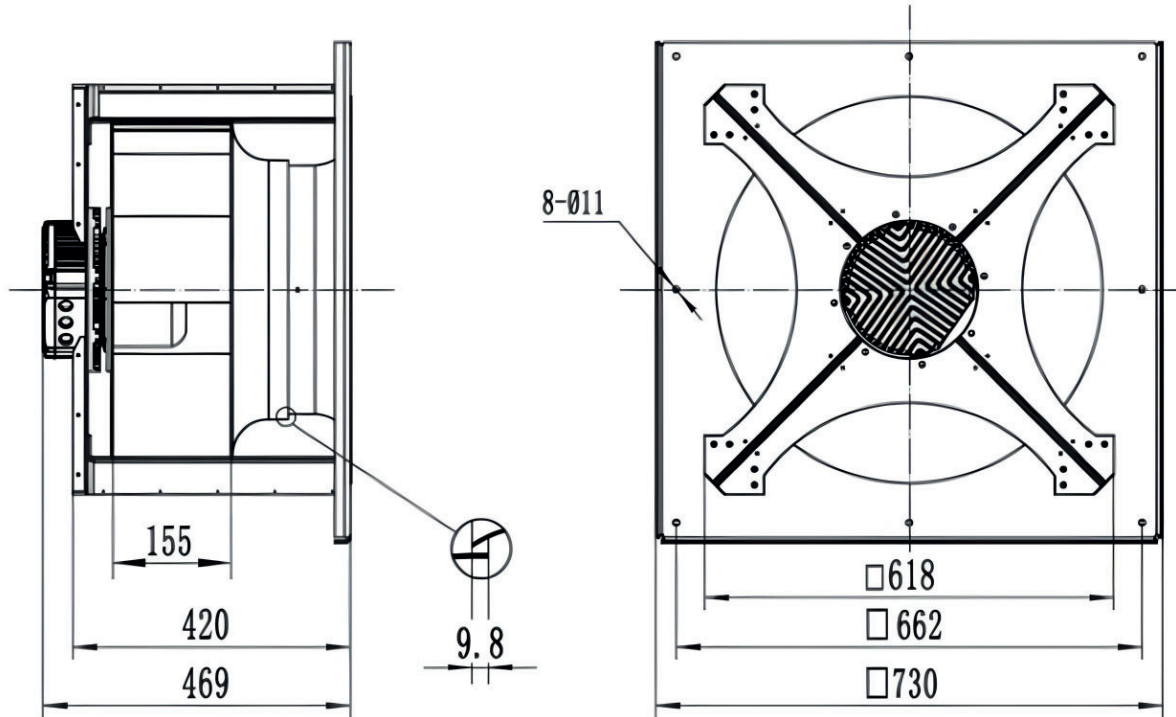
(Refer to page 82 for performance data)

Φ560 EC backward centrifugal fans with support bracket



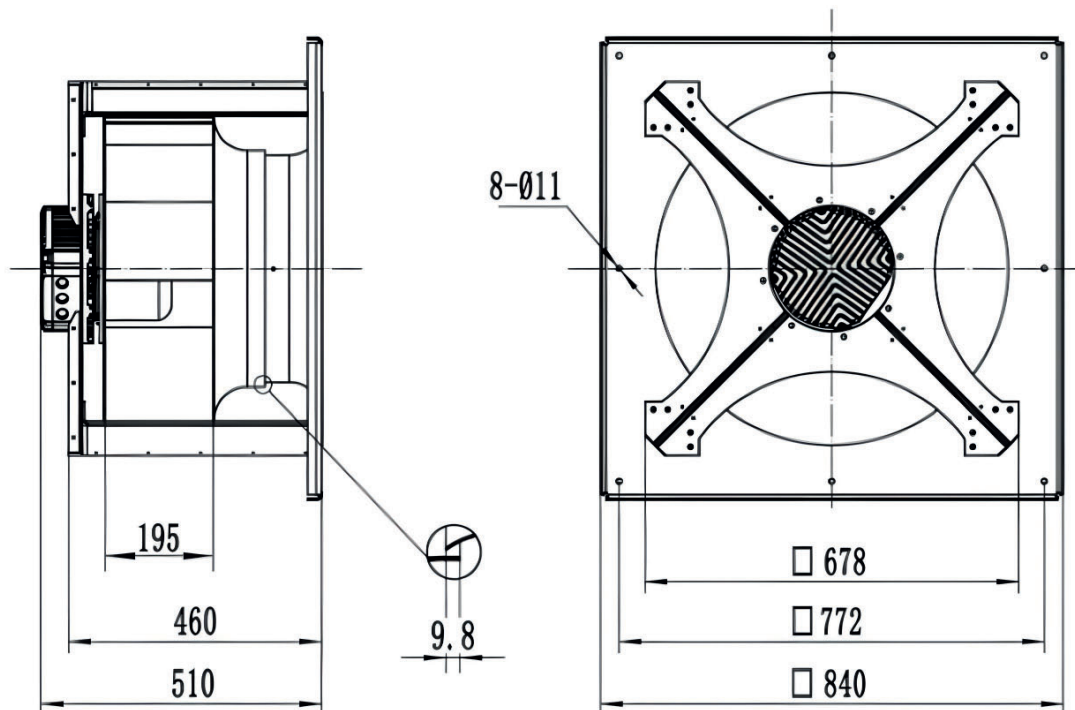
(Refer to page 84 for performance data)

Φ560 EC backward centrifugal fans with support bracket



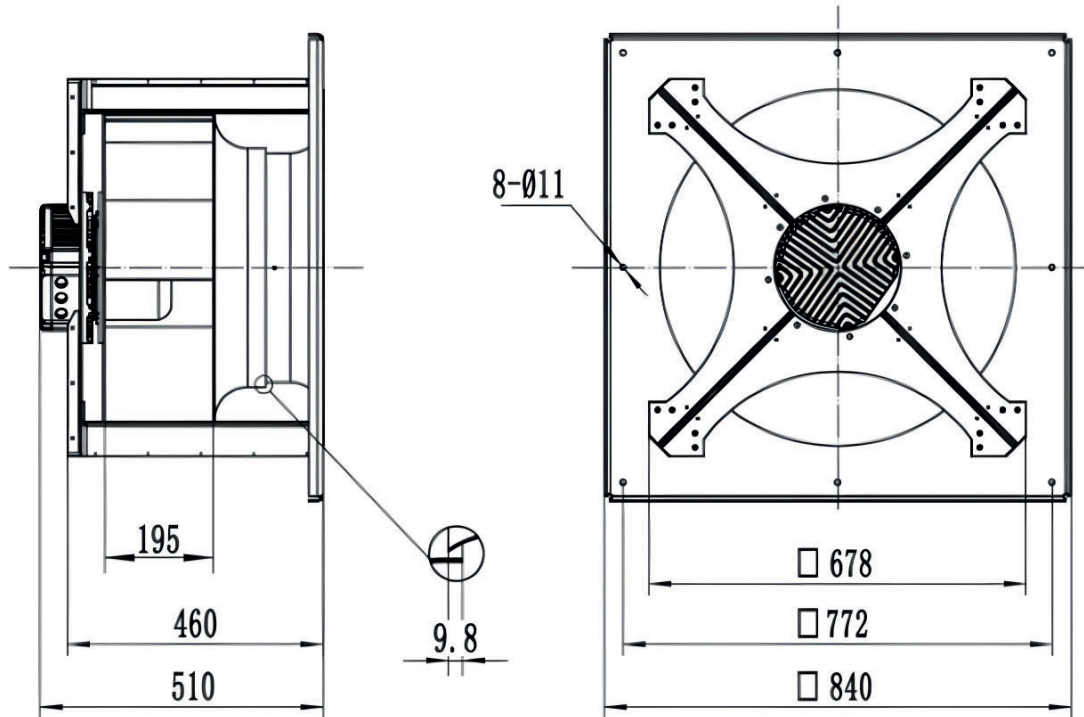
(Refer to page 85 for performance data)

Φ630 EC backward centrifugal fans with support bracket



(Refer to page 86 for performance data)

Φ630 EC backward centrifugal fans with support bracket



(Refer to page 87 for performance data)



Get In Touch

1741 Industrial Drive Sterling
IL 61081

Tel: 815-632-3150

Fax: 815-632-3449

E: sales@altranmagnetics.com

W: www.altranmagnetics.com

Rev.B 14thJuly2024