

Description

Filter with additional differential mode rejection in low frequency. For use with switched mode power supplies to reduce noise from power supply back into the mains. Filter also provides good attenuation of incoming interference.

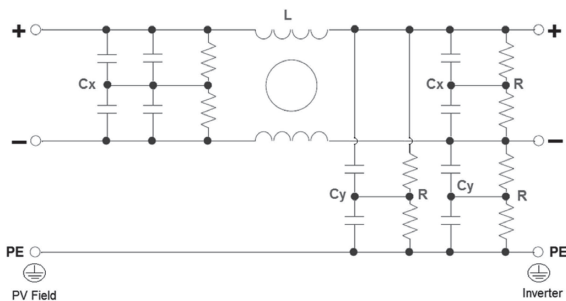
Features

- Single stage filter
- Available without capacitors to Ground (AMI-2200L)
- High conducted attenuation performance
- Superior Performance
- Chassis mounting

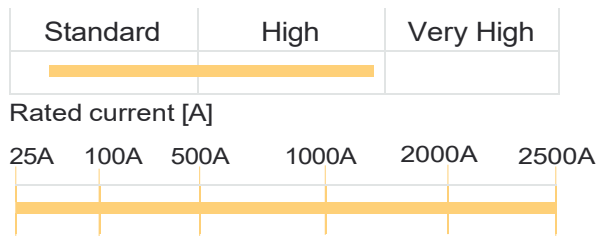
Applications

- PV Inverters
- UPS
- DC Motor Drives
- DC Quick Chargers
- Energy / Battery storage systems
- DC Charger Installations

Typical Circuit Diagram



Typical Circuit Diagram





Certificates



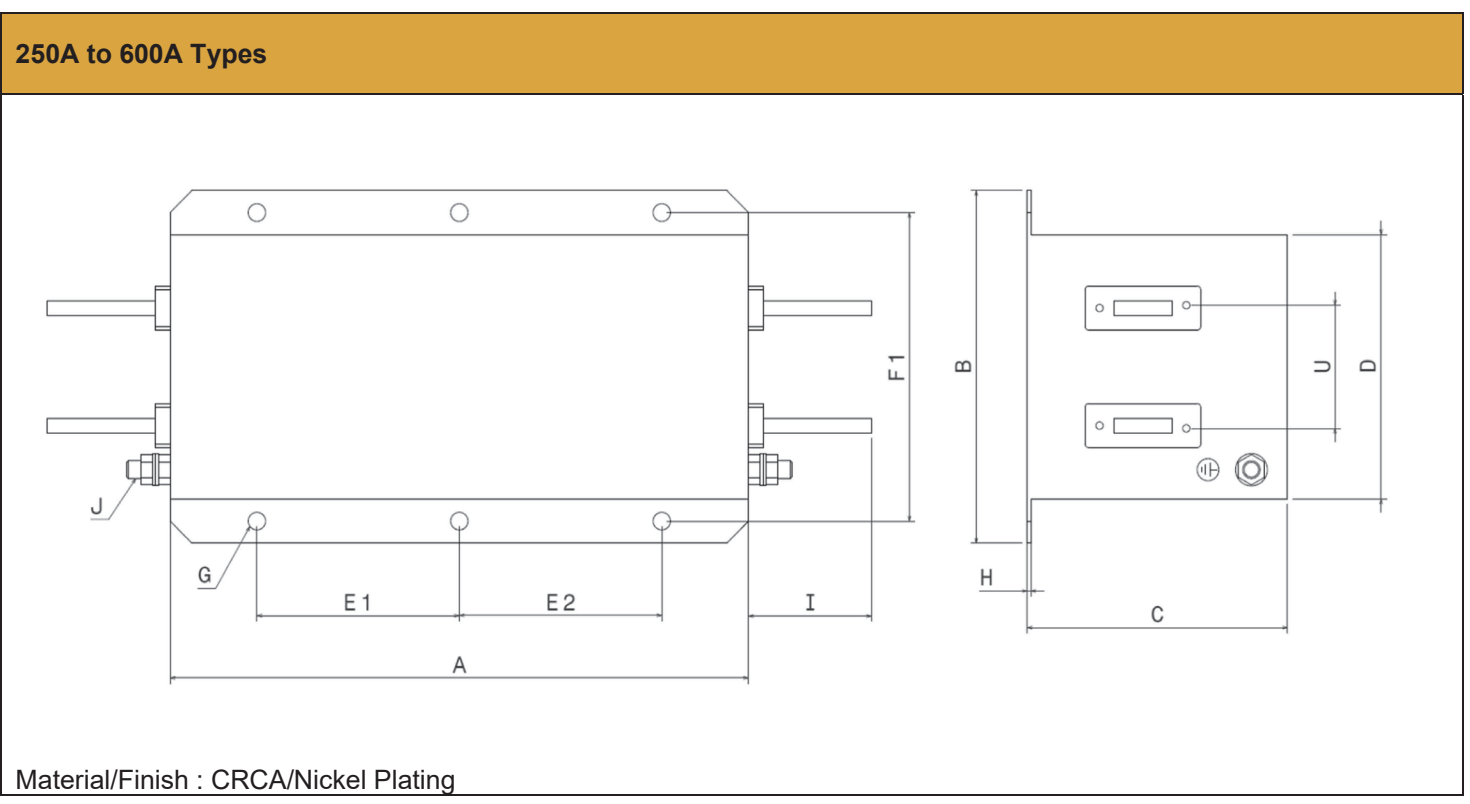
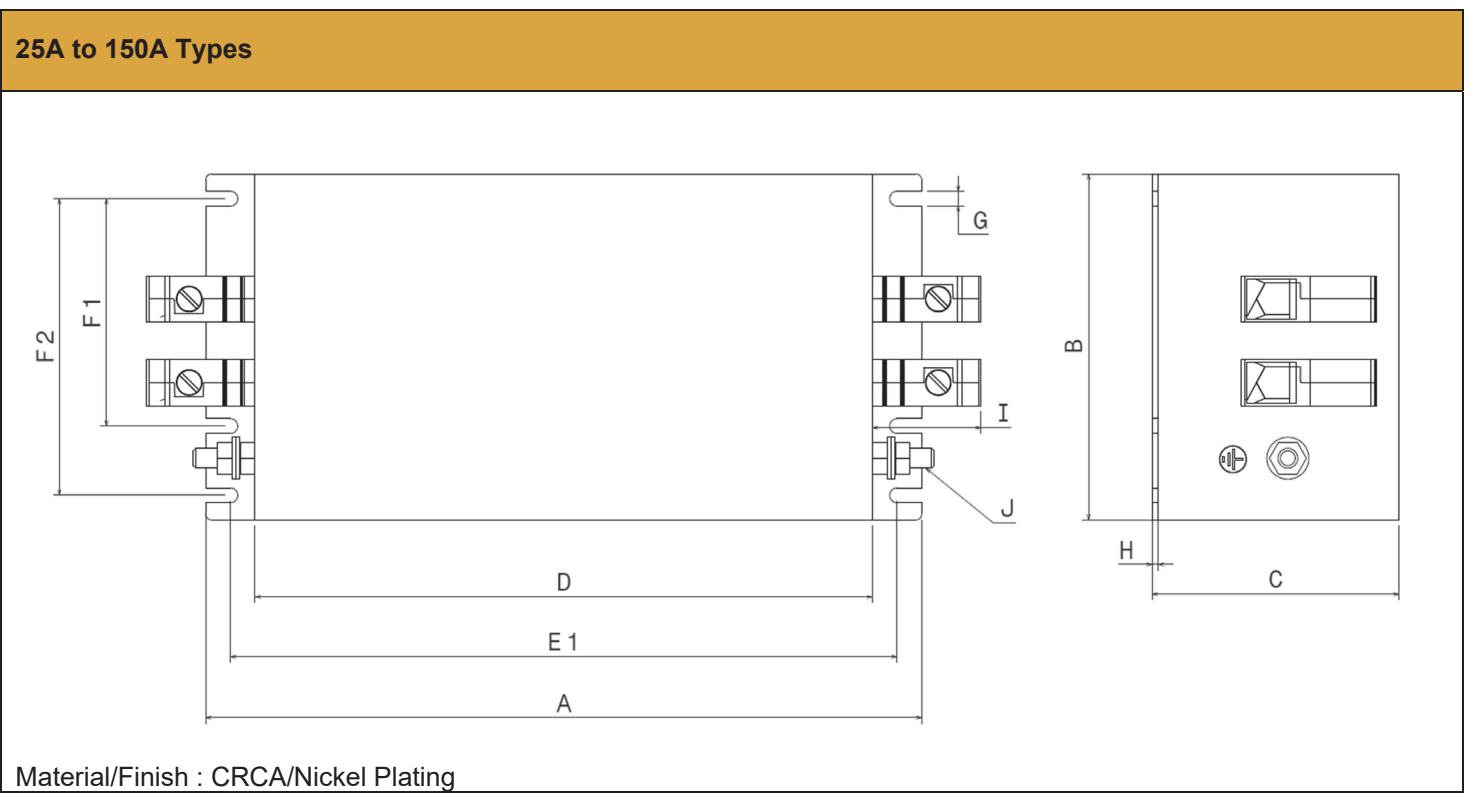
Technical Specifications

Maximum Continuous Operating Voltage	1200 VDC Max
Rated Current	25A to 2500A @55°C
High Potential test voltage	+ , - to PE 3600VDC for 2 sec + to - 3000VDC for 2 sec
Overload Capability	135% of Rated current for 15 minutes
Design Corresponding to	UL1283, CSA 22.2 No.8-13 and IEC 60939
Flammability corresponding to	UL 94 V-0 or better
Temperature range	-25°C to +85°C
Climatic Category	25/85/21

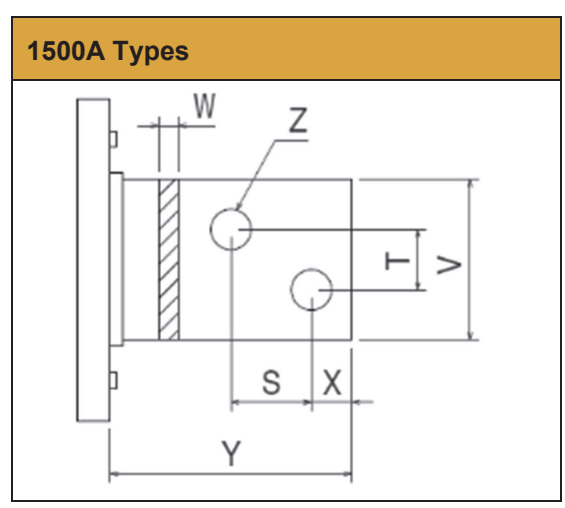
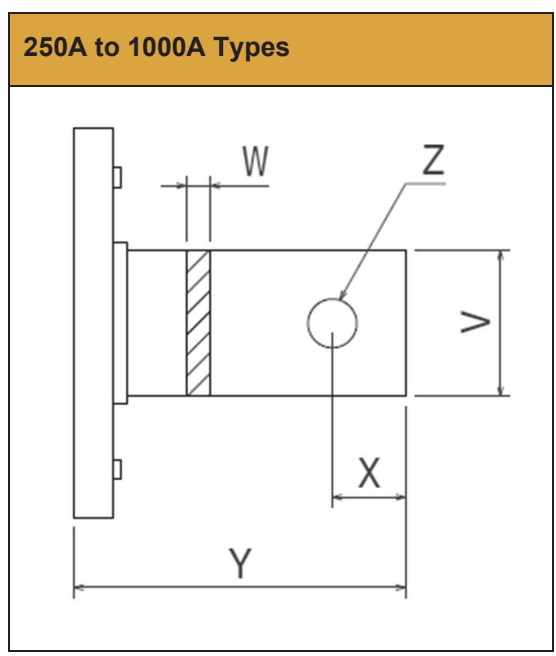
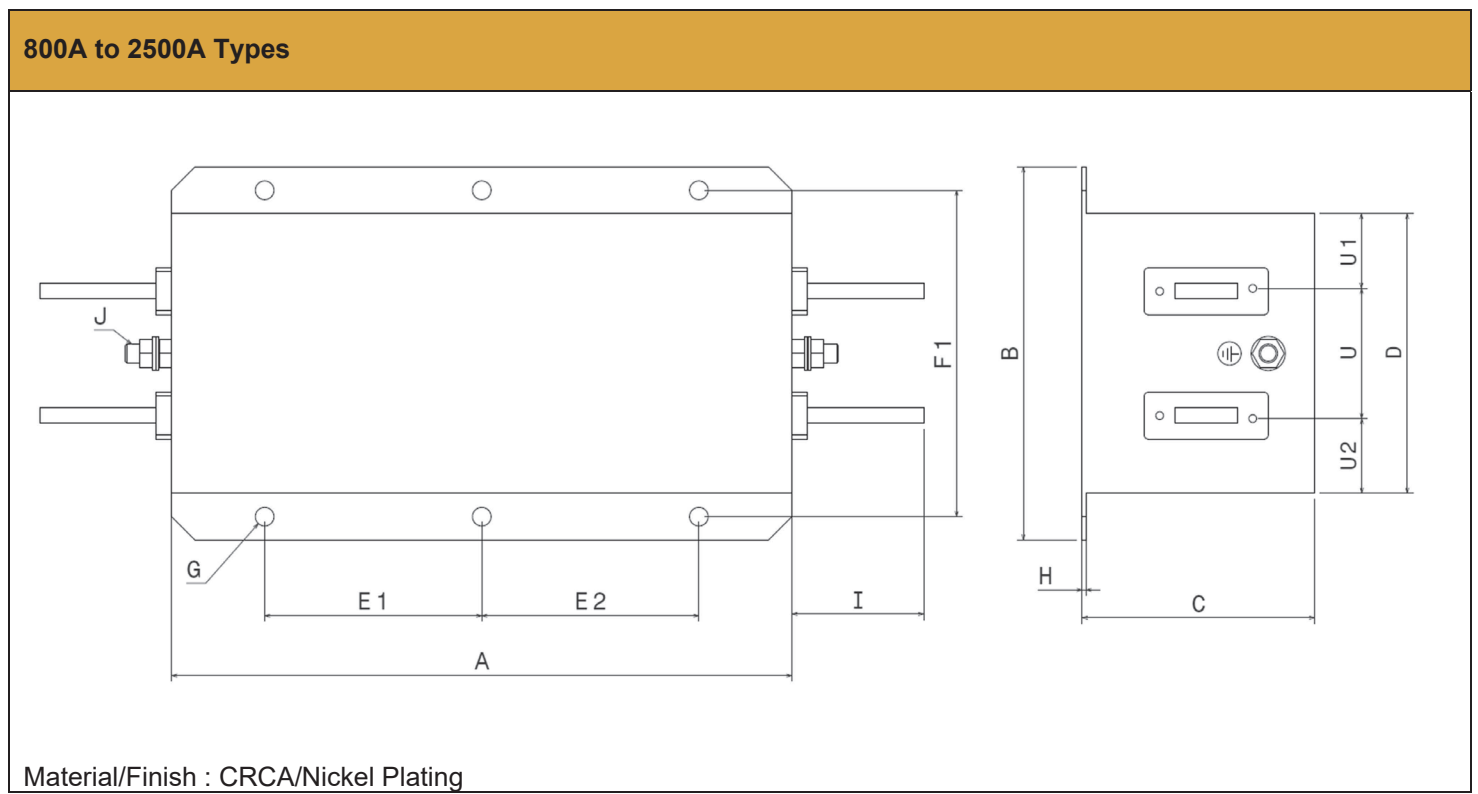
Selection Table

Part Number	Rated Current @55°C	Input / Output Connections		Weight (Kilo Grams)(Max)
				
AMI-2200-25-16	25A	16	-	1.2
AMI-2200-50-35	50A	35	-	1.8
AMI-2200-75-35	75A	35	-	2
AMI-2200-100-50	100A	50	-	3
AMI-2200-150-95	150A	95	-	5
AMI-2200-250-BB	250A	-	BB	5.2
AMI-2200-400-BB	400A	-	BB	6.5
AMI-2200-600-BB	600A	-	BB	7
AMI-2200-800-BB	800A	-	BB	9.5
AMI-2200-1000-BB	1000A	-	BB	9.8
AMI-2200-1500-BB	1500A	-	BB	17
AMI-2200-2500-BB	2500A	-	BB	28
AMI-2200L-25-16	25A	16	-	1.2
AMI-2200L-50-35	50A	35	-	1.8
AMI-2200L-75-35	75A	35	-	2
AMI-2200L-100-50	100A	50	-	3
AMI-2200L-150-95	150A	95	-	5
AMI-2200L-250-BB	250A	-	BB	5.2
AMI-2200L-400-BB	400A	-	BB	6.5
AMI-2200L-600-BB	600A	-	BB	7
AMI-2200L-800-BB	800A	-	BB	9.5
AMI-2200L-1000-BB	1000A	-	BB	9.8
AMI-2200L-1500-BB	1500A	-	BB	17
AMI-2200L-2500-BB	2500A	-	BB	28

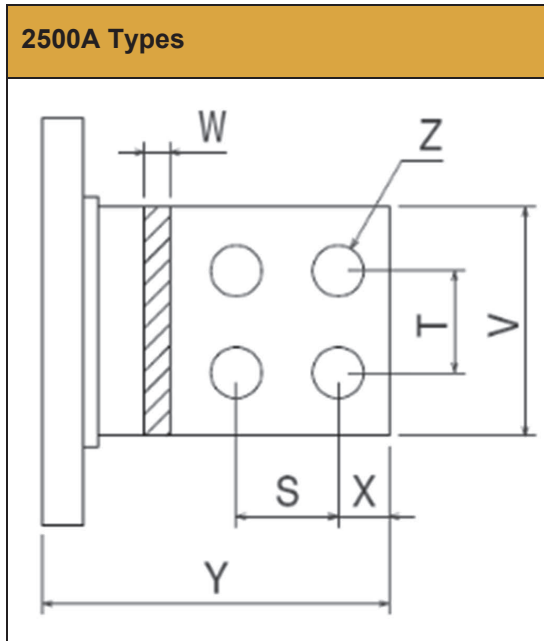
Mechanical Drawing



Mechanical Drawing




Mechanical Drawing



Dimensions (mm)

	25A	50A	75A	100A	150A	250A	400A	600A	800A	1000A	1500A	2500A
A	170	200	200	220	250	300	300	300	300	300	300	400
B	80	95	95	125	140	180	190	190	200	200	200	250
C	65	80	80	95	115	110	110	110	140	140	150	180
D	140	170	170	190	220	130	140	140	150	150	150	195
E1	152.5	182.5	182.5	202.5	232.5	130	130	130	130	130	130	190
E2						110	110	110	110	110	110	150
F1	45	60	60	80	100	155	165	165	175	175	175	225
F2	60	75	75	100	120							
G	5.5	5.5	5.5	5.5	5.5	∅12	∅12	∅12	∅12	∅12	∅12	∅12
H	1	1.5	1.5	1.5	2	2	2	2	3	3	3	3
I	25	39	39	45	51	58	58	58	65	65	110	100
J	M5	M6	M6	M8	M10	M10	M10	M10	M12	M12	M12	M16
S											43	35
T											26	35
U						70	70	70	70	70	70	100
U1									45	45	45	61
U2									35	35	35	34
V						20	25	25	40	40	60	70
W						5	6	8	8	8	10	15
X						15	15	15	20	20	17	20
Y						58	58	58	65	65	110	100
Z						∅9	∅10.5	∅10.5	∅14	∅14	∅14	∅14

Connectors Cross Sections

	25A	50A	100A	150A
Solid Wire	16mm ²	35mm ²	50mm ²	95mm ²
Flex wire	10mm ²	25mm ²	50mm ²	95mm ²
AWG type wire	AWG 6	AWG 2	AWG 1/0	AWG 4/0
Recommended torque	1.5-1.8 NM	4.0-4.5 NM	7-8 NM	17-20 NM

Typical Insertion Loss

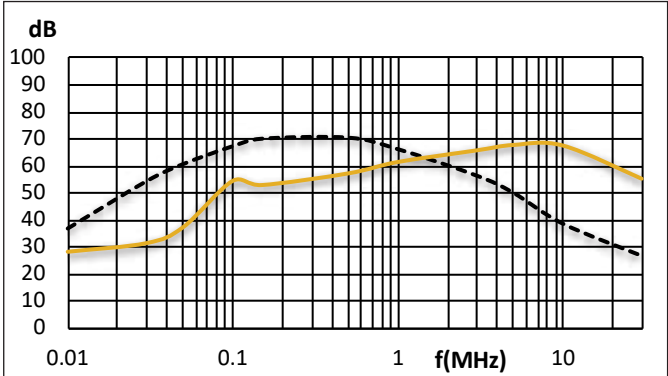
Frequency (MHz)	0.15	0.5	1	10	30
Common Mode in dB	65	75	55	45	40
Differential Mode in dB	65	70	50	35	30

Typical Insertion Loss

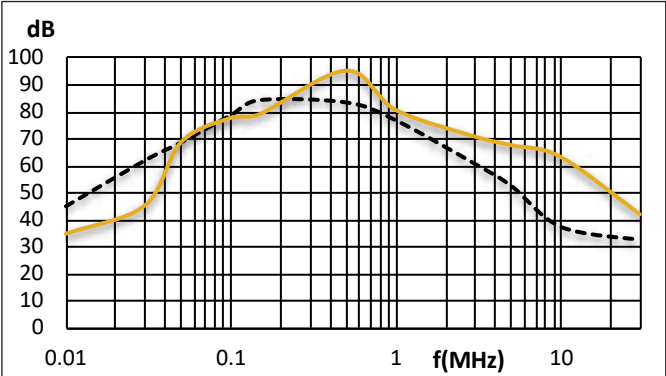
According to CISPR17 in 50 Ω system

— Common Mode / Asymmetrical (L-G)
 — Differential Mode / Symmetrical (L-L)

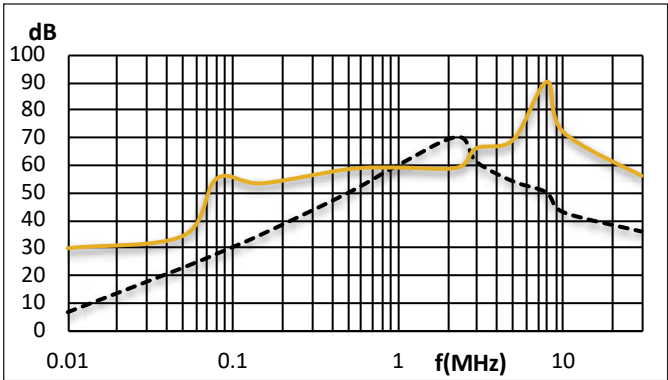
50A



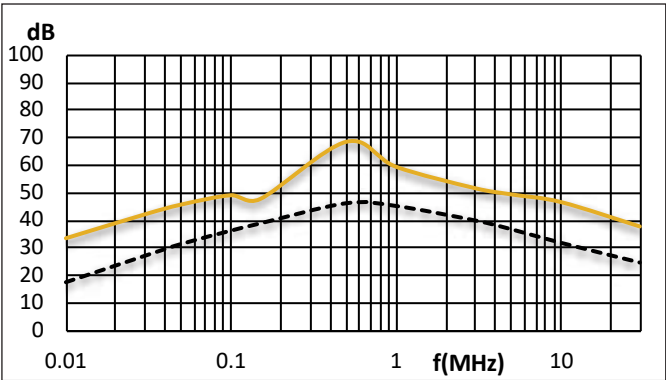
100A



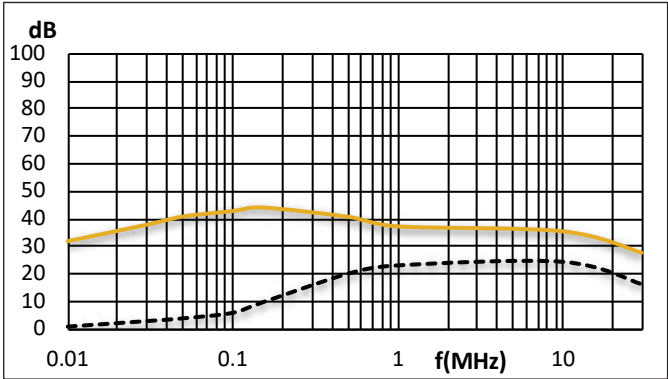
150A



250A



400A



800A-2500A

