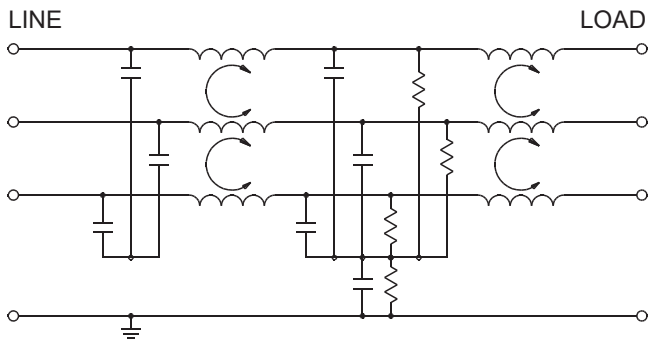


## Features

- Space Saving Design
- Low Earth Leakage Current
- Rated up to 180A
- Suitable for Star & Delta Power Networks.

## Typical Circuit Diagram



## Applications

- Compact book-form design
- Insulated, high quality safety terminals for input and output
- Cost-effective design
- Touch safe terminals provide easy connections and prevent inadvertent contact for safety in the most demanding applications



## Approvals & Compliances



## Technical Specifications

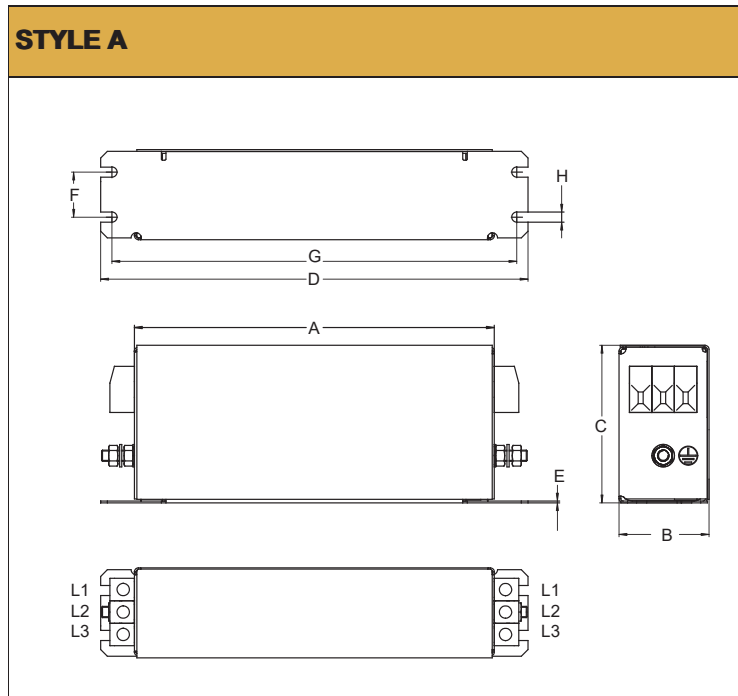
Maximum Continuous Operating Voltage	277 VAC Max
Operating Frequency	50/60Hz
Rated Current	7 to 180A @50°C
Temperature range	-10°C to +50°C
High Potential Test Voltage	Line to Ground: 1850 VAC Line to Line: 1850 VDC

## Selection Table

AMI Designation	Input/output Style	Current Rating	Inductance	Capacitance		Resistor	Leakage Current @ 120 VAC 60Hz/250 VAC 50 Hz	TIL Insertion Loss	Case Style
				mH	Cx				
Available Part Numbers	feed-through terminal blocks			nF	pF		mA		
AMI-M32A-10-7-E-1	10	7	2.43	3300	730000	660	149/259	001	A
AMI-M32A-10-7-E-2	10	7	2.43	3300	30000	660	4.2/7.5	001	A
AMI-M32A-10-16-E-1	10	16	2.31	4450	730000	660	149/259	002	A
AMI-M32A-10-16-E-2	10	16	2.31	4450	30000	660	4.2/7.5	002	A
AMI-M32A-10-30-E-1	10	30	1.60	4950	730000	660	149/259	003	A
AMI-M32A-10-30-E-2	10	30	1.60	4950	33000	660	4.2/7.5	003	A
AMI-M32A-10-42-E-1	10	42	1.13	6600	730000	660	149/259	004	A
AMI-M32A-10-42-E-2	10	42	1.13	6600	30000	660	4.2/7.5	004	A
AMI-M32A-10-55-E	10	55	1.56	6650	30000	660	4.2/7.5	005	A
AMI-M32A-10-75-E	10	75	1.06	6600	30000	660	4.2/7.5	006	A
AMI-M32A-10-100-E-1	10	100	0.80	6600	730000	660	149/259	007	A
AMI-M32A-10-100-E-2	10	100	0.80	6600	33000	660	4.2/7.5	007	A
*AMI-M32A-10-130-E	10	130	0.55	6600	330000	660	18/32	008	A
*AMI-M32A-10-180-E	10	180	0.36	6650	330000	660	18/32	009	A

\*AMI-M32A-10-55-E/AMI-M32A-10-75-E/AMI-M32A-10-130-E/AMI-M32A-10-180-E are UL Pending

## Case Styles



## Case Dimensions:

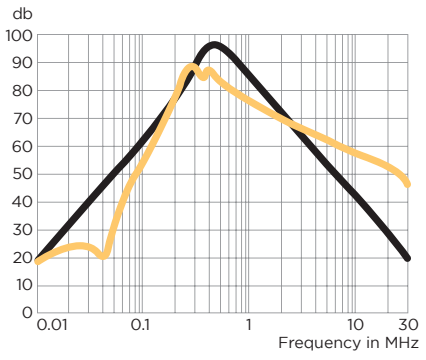
Model Number	A (max.)	B (max.)	C (max.)	D (max.)	E (max.)	F (max.)	G (max.)	H (max.)
AMI-M32A-10-7	6.3"/160mm	1.57"/40mm	2.76"/70mm	7.48"/190mm	0.03"/0.8mm	0.79"/20mm	7.09"/180mm	0.18"/4.5mm
AMI-M32A-10-16	8.66"/220mm	1.77"/45mm	2.76"/70mm	9.84"/250mm	0.03"/0.8mm	0.98"/25mm	9.25"/235mm	0.21"/5.4mm
AMI-M32A-10-30	9.45"/240mm	1.97"/50mm	3.35"/85mm	10.63"/270mm	0.03"/0.8mm	1.18"/30mm	10.04"/255mm	0.21"/5.4mm
AMI-M32A-10-42	11.02"/280mm	1.97"/50mm	3.35"/85mm	12.2"/310mm	0.03"/0.8mm	1.18"/30mm	11.61"/295mm	0.21"/5.4mm
AMI-M32A-10-55	8.66"/220mm	3.35"/85mm	3.54"/90mm	9.84"/250mm	0.04"/1mm	2.36"/60mm	9.25"/235mm	0.21"/5.4mm
AMI-M32A-10-75	9.45"/240mm	3.15"/80mm	5.31"/135mm	10.63"/270mm	0.04"/1mm	2.36"/60mm	10.04"/255mm	0.26"/6.5mm
AMI-M32A-10-100	9.45"/240mm	3.54"/90mm	5.91"/150mm	10.63"/270mm	0.04"/1mm	2.56"/65mm	10.04"/255mm	0.26"/6.5mm
AMI-M32A-10-130	9.45"/240mm	3.54"/90mm	5.91"/150mm	10.63"/270mm	0.04"/1mm	2.56"/65mm	10.04"/255mm	0.26"/6.5mm
AMI-M32A-10-180	13.78"/350mm	4.72"/120mm	6.69"/170mm	14.96"/380mm	0.04"/1mm	4.2"/102mm	14.37"/365mm	0.26"/6.5mm

## Typical Insertion Loss

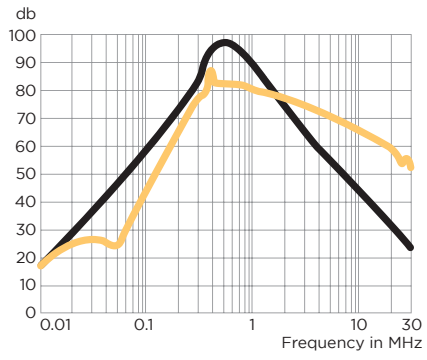
According to CISPR17 in 50  $\Omega$  system

— Common Mode / Asymmetrical (L-G)  
— Differential Mode / Symmetrical (L-L)

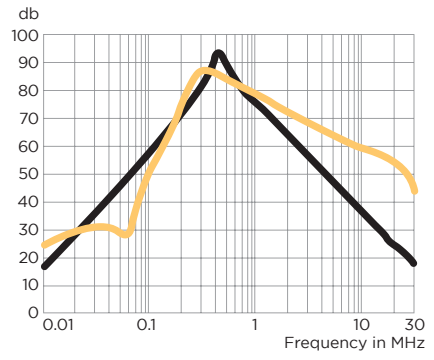
TIL-001



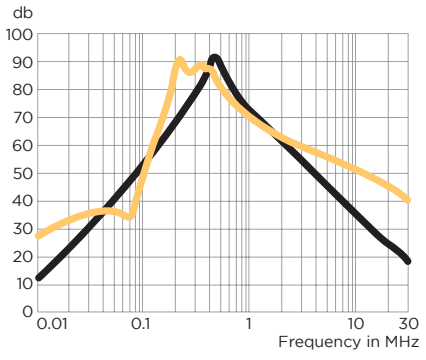
TIL-002



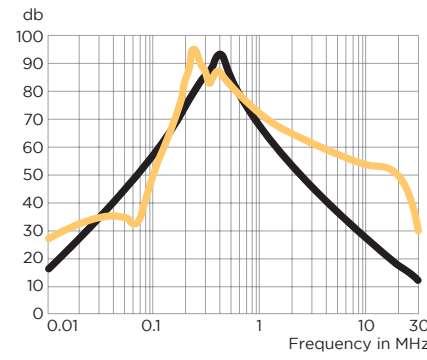
TIL-003



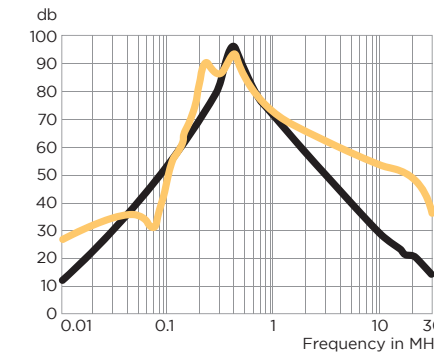
TIL-004



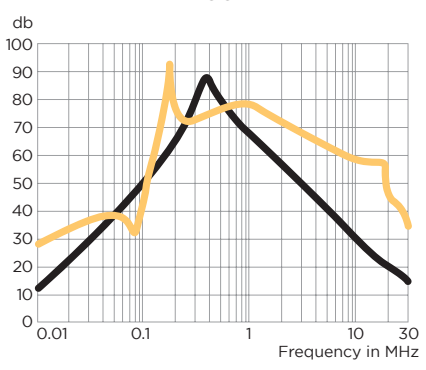
TIL-005



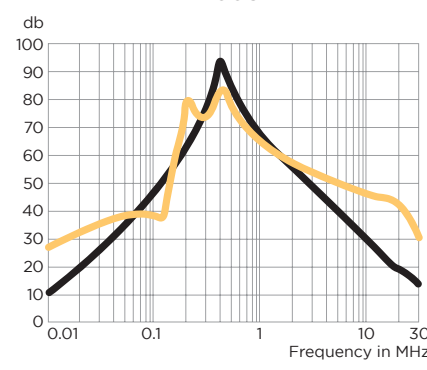
TIL-006



TIL-007



TIL-008



TIL-009

