

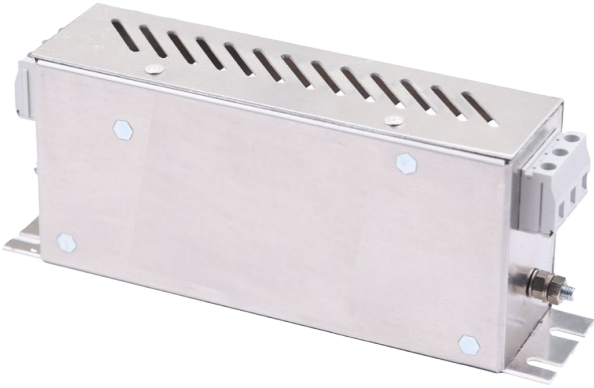
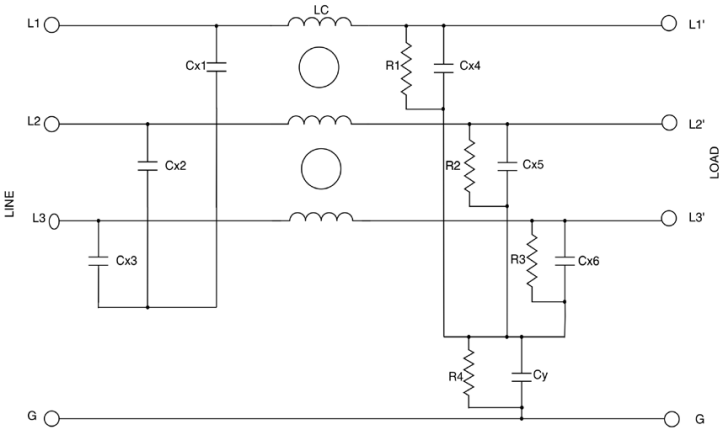
Features

- Three Phase filters for drives/invertors
- Rated up to 150A
- Bookshelf Design
- Compact/Light Weight/Cost Effective

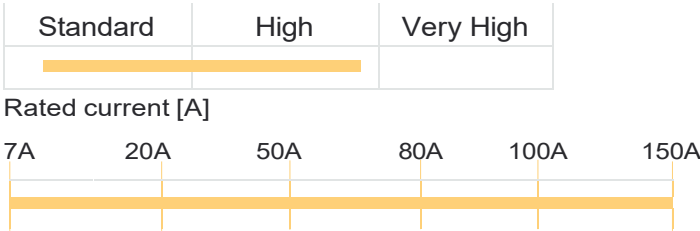
Applications

- AC/DC Drives
- Generator
- Wind Turbine
- Fuel Cells

Typical Circuit Diagram



Performance Indicator



Approvals & Compliances



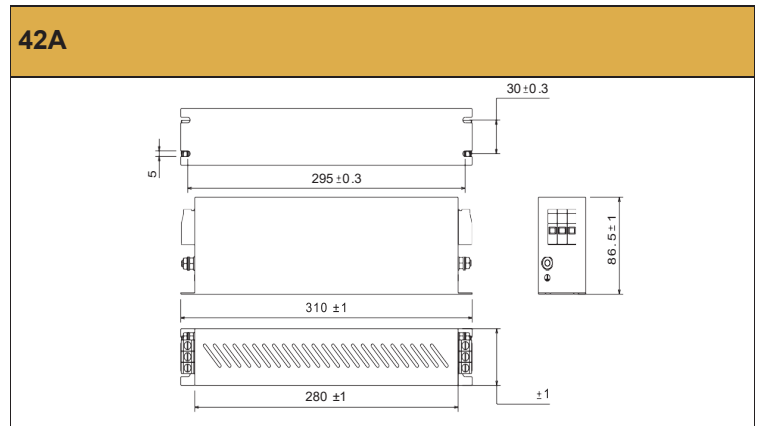
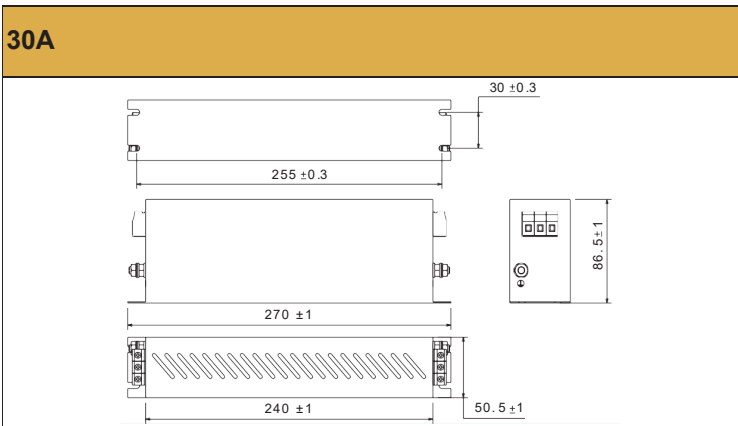
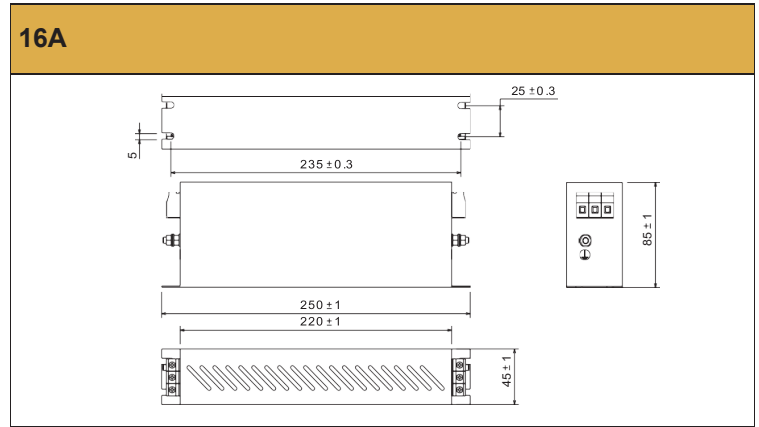
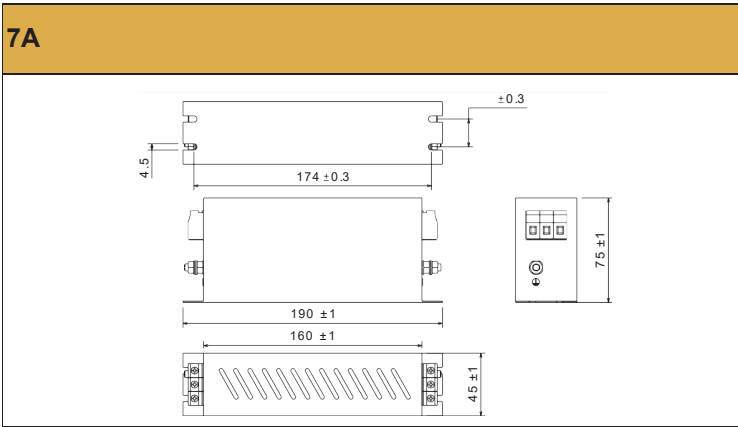
Technical Specifications

Maximum Continuous Operating Voltage	440/520VAC
Operating Frequency	50/60Hz
Current ratings	7A to 150A @40°C
High Potential test voltage	L to G 2660VDC for 1 Minute L to L 1950VDC for 1 Minute
Overload Capability	135% of Rated current for 15 minutes
Design Corresponding to	UL 60939-3, CSA 22.2 No.8-13 and IEC60939-1&2
Flammability corresponding to	UL 94 V-0
Temperature range	-25°C to +85°C
Climatic Category	25/85/21

Selection Table

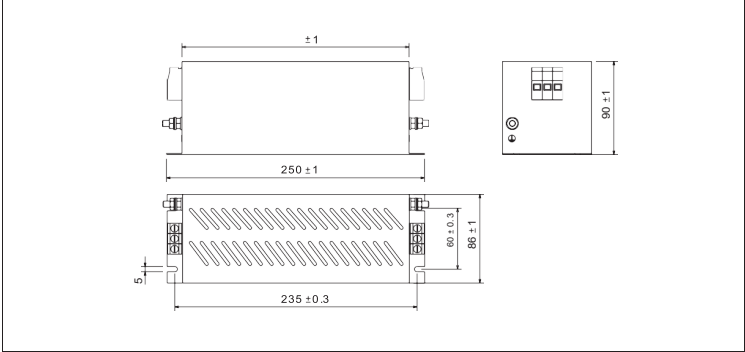
Available Part Number (440VAC)	Available Part Number (520VAC)	Rated Current @40°C	Typical Drive power rating (440VAC) (kw)	Leakage current (mA)	Termination	Weight (Grams)
AMI-3360-7-04	AMI-3360H-7-04	7A	4	10	4	0.6
AMI-3360-16-04	AMI-3360H-16-04	16A	7.5	10	4	0.8
AMI-3360-30-04	AMI-3360H-30-04	30A	15	10	4	0.8
AMI-3360-42-10	AMI-3360H-42-10	42A	22	15	10	1.2
AMI-3360-55-10	AMI-3360H-55-10	55A	30	15	10	2
AMI-3360-75-16	AMI-3360H-75-16	75A	37	15	16	2
AMI-3360-100-25	AMI-3360H-100-25	100A	55	15	25	3
AMI-3360-120-50	AMI-3360H-120-50	120A	73	15	50	4
AMI-3360-150-50	AMI-3360H-150-50	150A	90	15	50	4

Mechanical Drawing

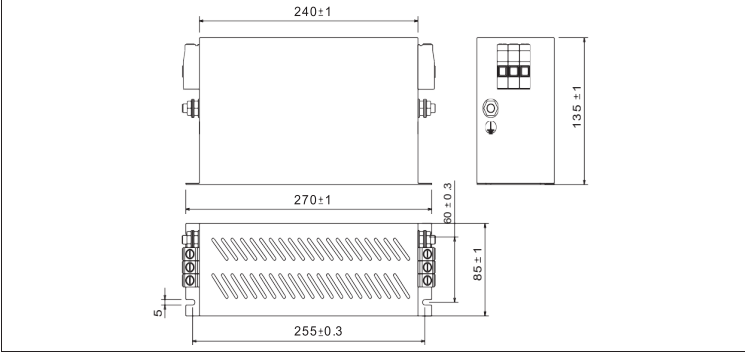


Mechanical Drawing

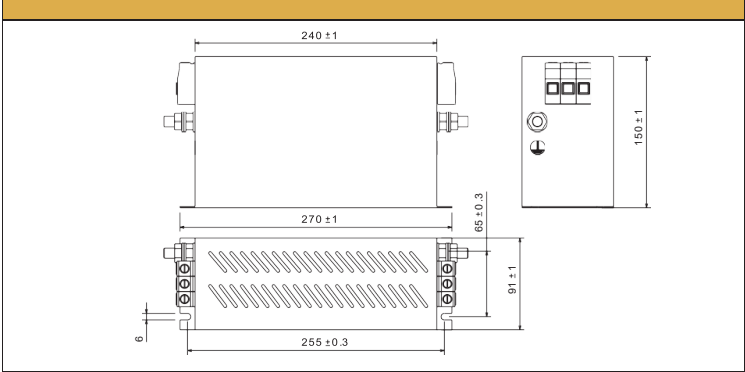
55A



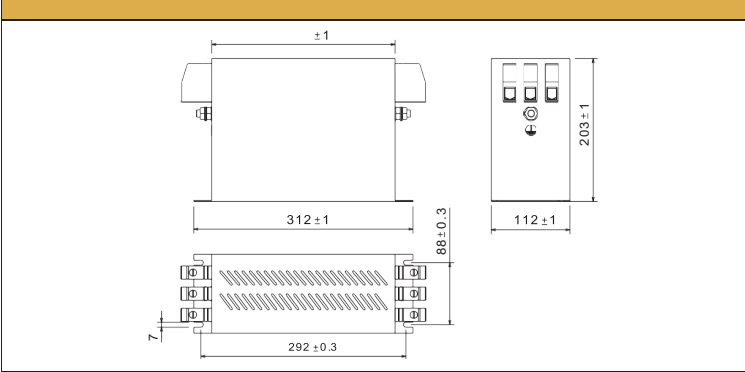
75A



100A



120A to 150A



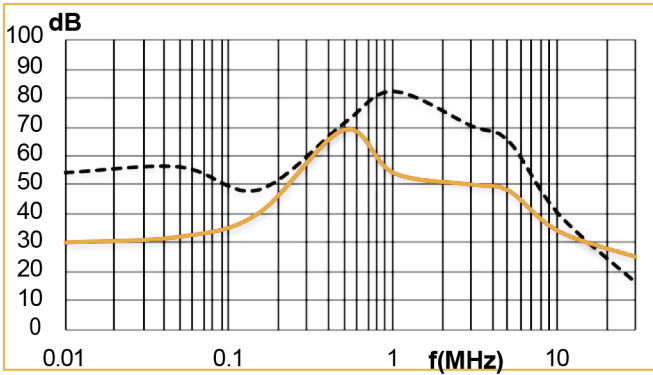
	4	10	16	25
Wire Section (mm ²)	4mm ²	10mm ²	16mm ²	25mm ²
Wire Section (AWG)	12AWG	8 AWG	6 AWG	4 AWG
Wire Stripping	Max 10mm	Max 13.5mm	Max 17mm	Max 17mm
Max Recommended Torque	0.5 Nm / 4.5 in.lbs	1.2 Nm / 10.8 in.lbs	2 Nm / 18 in.lbs	2 Nm / 18 in.lbs

Typical Insertion Loss

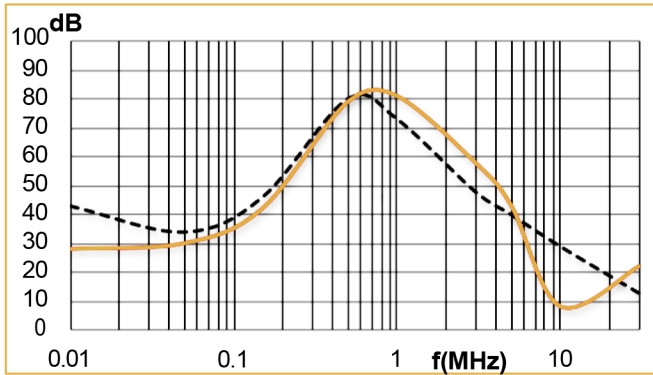
According to CISPR17 in 50 Ω system

— Common Mode / Asymmetrical (L-G)
 — Differential Mode / Symmetrical (L-L)

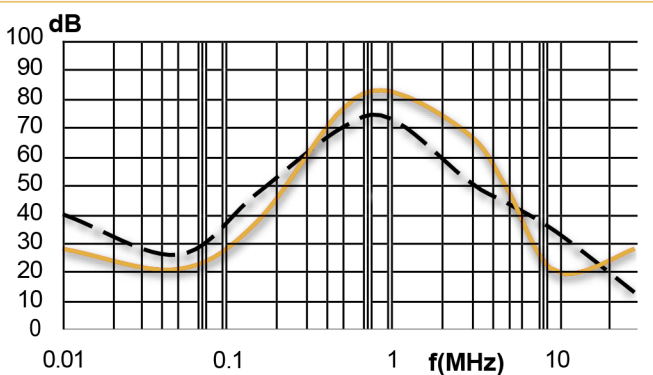
7A



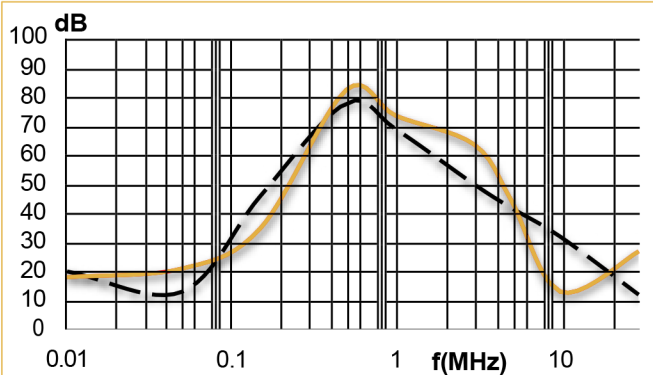
16A



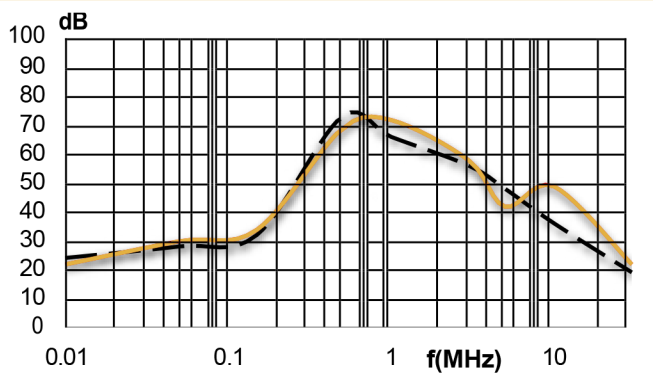
30A



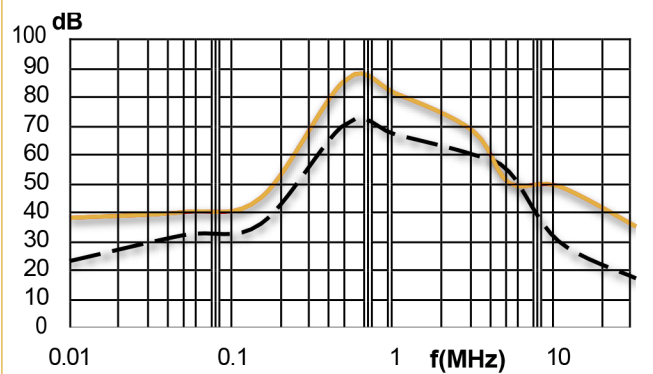
42A



55A



75A

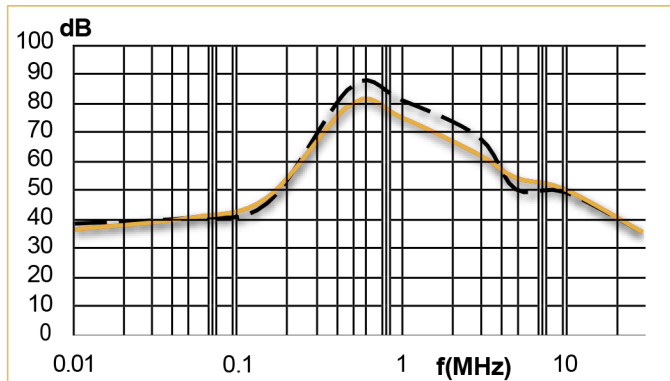


Typical Insertion Loss

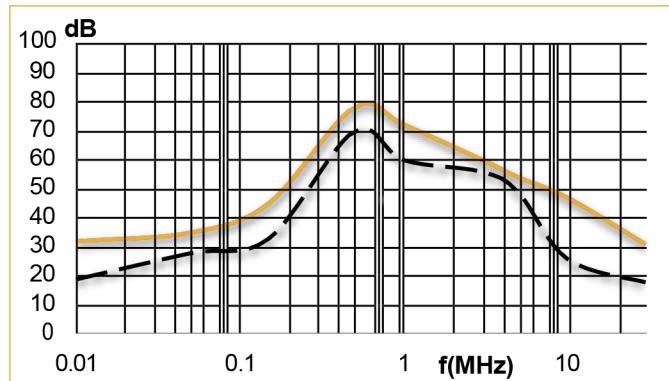
According to CISPR17 in 50 Ω system

— Common Mode / Asymmetrical (L-G)
 — Differential Mode / Symmetrical (L-L)

100A



120A



150A

