

Features

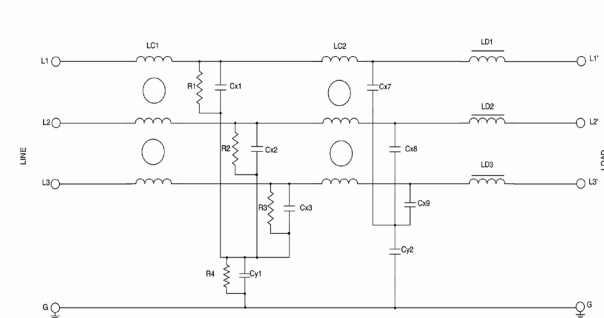
- 3 General Purpose
- Rated up to 1000A
- Superior Performance
- Busbar Terminals

Applications

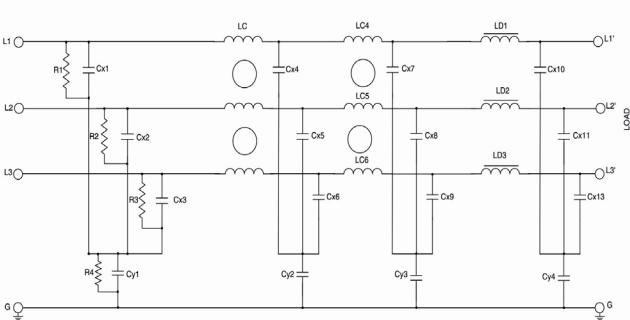
- CNC Machines
- Elevators
- Convertors
- HVAC

Typical Circuit Diagram

300A-600A



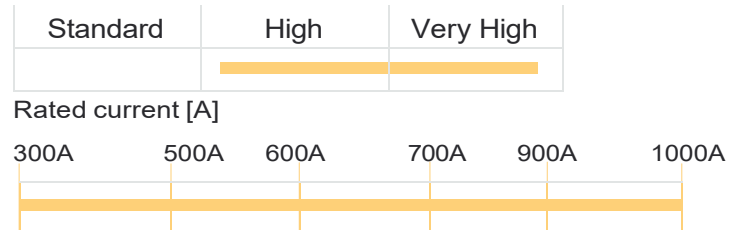
700A-1000A



Approvals & Compliances



Performance Indicator



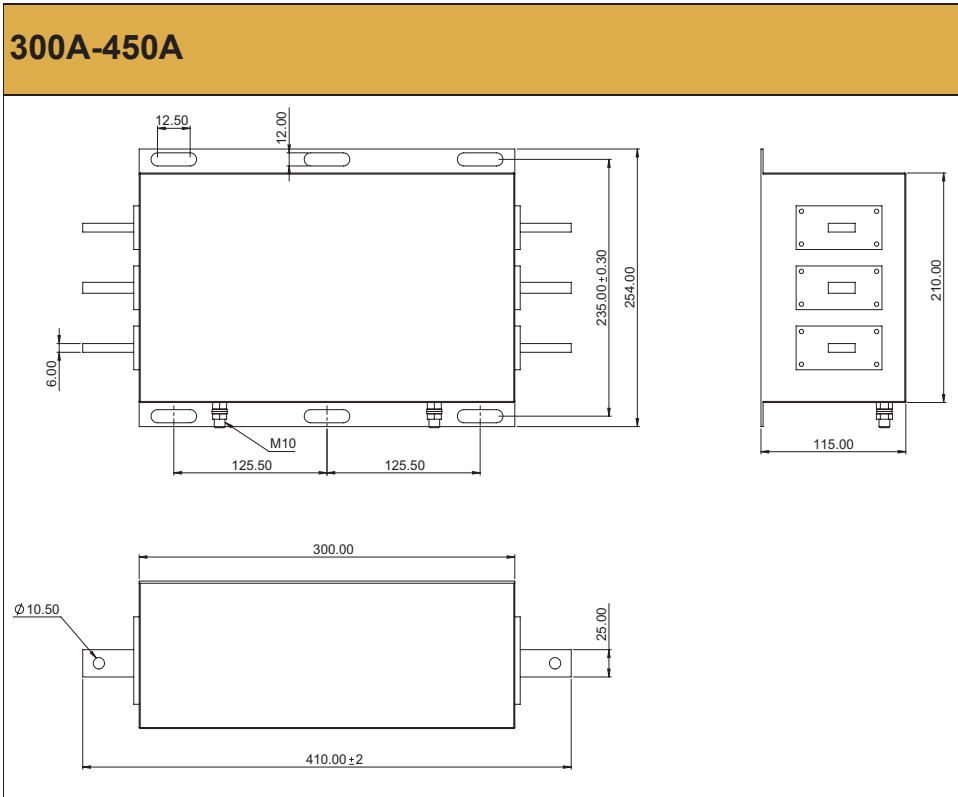
Technical Specifications

Maximum Continuous Operating Voltage	440/520VAC
Operating Frequency	50/60Hz
Current ratings	300A to 1000A @40°C
High Potential test voltage	L to G 2660VDC for 1 Minute L to L 1950VDC for 1 Minute
Overload Capability	135% of Rated current for 15 minutes
Design Corresponding to	UL 60939-3, CSA 22.2 No.8-13 and IEC60939-1&2
Flammability corresponding to	UL 94 V-0
Temperature range	-25°C to +85°C
Climatic Category	25/85/21

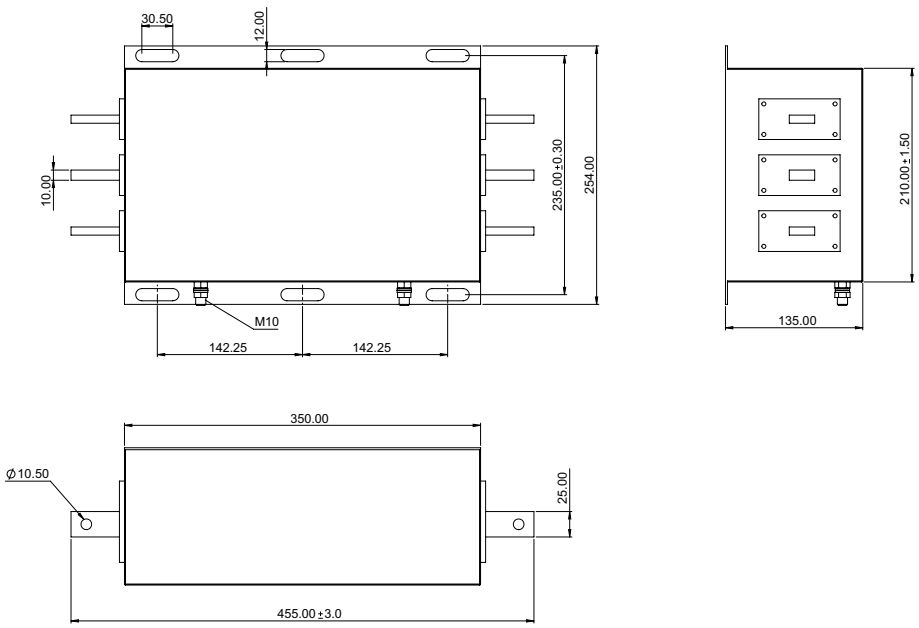
Selection Table

Available Part Number (440VAC)	Available Part Number (520VAC)	Rated Current @40C	Leakage current (mA)	Termination	Weight (Kg)
AMI-3339-300-BB	AMI-3339H-300-BB	300A	80	Busbar - 6 x 25mm	13
AMI-3339-320-BB	AMI-3339H-320-BB	320A	80	Busbar - 6 x 25mm	13
AMI-3339-400-BB	AMI-3339H-400-BB	400A	80	Busbar - 6 x 25mm	14
AMI-3339-450-BB	AMI-3339H-450-BB	450A	80	Busbar - 6 x 25mm	14
AMI-3339-500-BB	AMI-3339H-500-BB	500A	80	Busbar - 6 x 25mm	15
AMI-3339-550-BB	AMI-3339H-550-BB	550A	80	Busbar - 6 x 25mm	15
AMI-3339-600-BB	AMI-3339H-600-BB	600A	80	Busbar - 6 x 25mm	16
AMI-3339-700-BB	AMI-3339H-700-BB	700A	80	Busbar - 40 x 10mm	28
AMI-3339-800-BB	AMI-3339H-800-BB	800A	80	Busbar - 40 x 10mm	28
AMI-3339-1000-BB	AMI-3339H-1000-BB	1000A	80	Busbar - 40 x 10mm	28

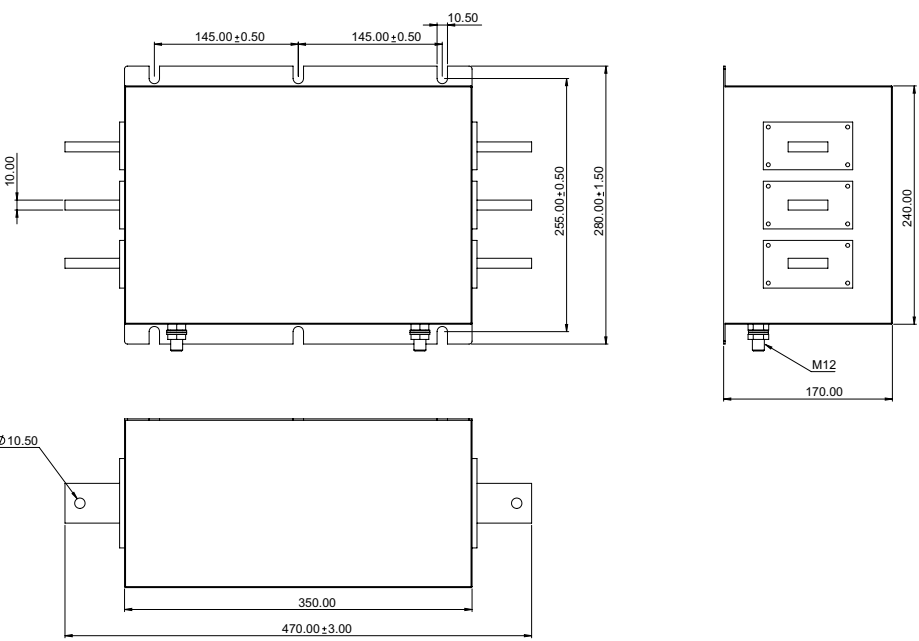
Mechanical Drawing



500A-600A



700A-1000A

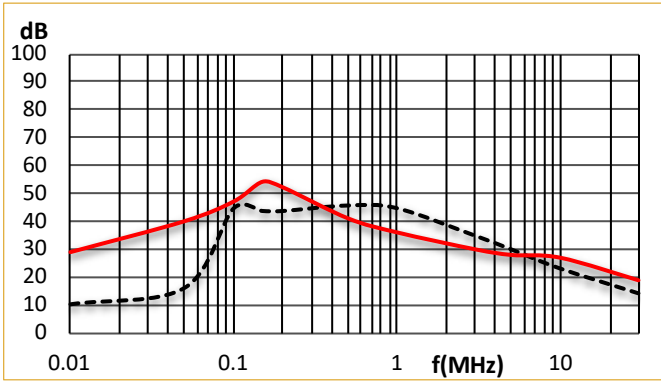


Typical Insertion Loss

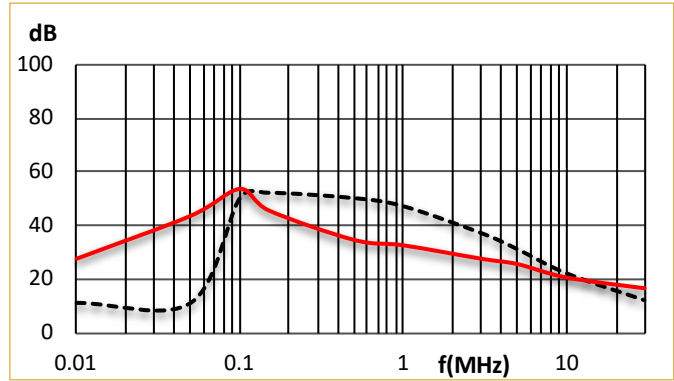
According to CISPR17 in 50 Ω system

— Common Mode / Asymmetrical (L-G)
 — Differential Mode / Symmetrical (L-L)

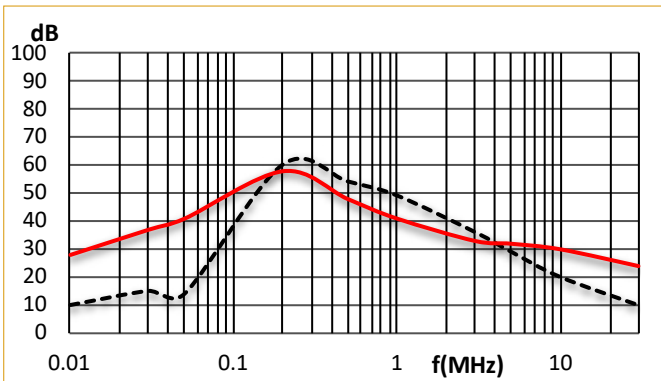
300A



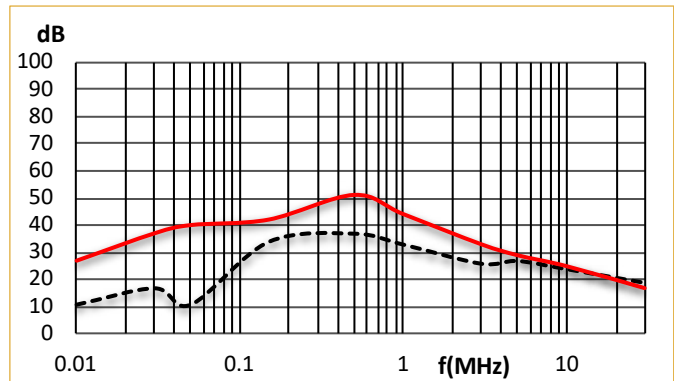
400A



550A



600A



1000A

