

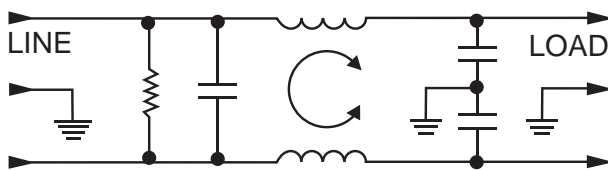
Features

- General-purpose line filters for DC applications
- Rated up to 15A
- Flange mount with 1/4 or PCB terminals
- Compact with a 3-pin inlet connector

Applications

- Telecommunications Equipment
- Industrial Control Systems
- Medical Devices
- Compact with a 3-pin inlet connector

Typical Circuit Diagram



Approvals and Compliances



Technical Specifications

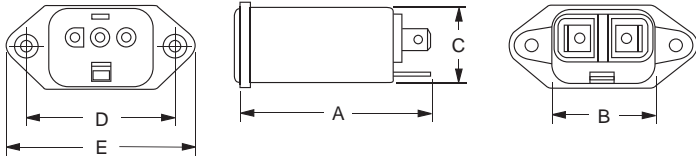
Maximum Continuous Operating Voltage	125VDC
Operating Frequency	50/60Hz
Rated Current	3A to 15A
Temperature range	-10°C to +55°C
High Potential Test Voltage	Line to Ground: 2250 VDC Line to Line: 1450 VDC

Selection Table

AMI Designation	Input/output Style		Current Rating	Inductance	Capacitance		Resistor	TIL Insertion Loss	Case Style
					μH	Cx			
	Available Part Numbers	6.3mm Spade Terminals		PCBA	nF	pF			
AMI-M11AV-1-3-B	1		3	1.45	0.1	5500	3.3	001	A
AMI-M11AV-1S-3-B	1S		3	1.45	0.1	5500	3.3	001	B
AMI-M11AV-13-3-B		13	3	1.45	0.1	5500	3.3	001	C
AMI-M11AV-1-6-B	1		6	0.465	0.1	5500	3.3	002	C
AMI-M11AV-1S-6-B	1S		6	0.465	0.1	5500	3.3	002	B
AMI-M11AV-13-6-B		13	6	0.465	0.1	5500	3.3	002	A
AMI-M11AV-1-10-B	1		10	0.1	0.1	5500	3.3	003	A
AMI-M11AV-1S-10-B	1S		10	0.1	0.1	5500	3.3	003	B
AMI-M11AV-13-10-B		13	10	0.1	0.1	5500	3.3	003	A
AMI-M11AV-1-15-B	1		15	0.024	0.1	5500	3.3	004	A
AMI-M11AV-1S-15-B	1S		15	0.024	0.1	5500	3.3	004	B
AMI-M11AV-13-15-B		13	15	0.024	0.1	5500	3.3	004	C

Case Styles

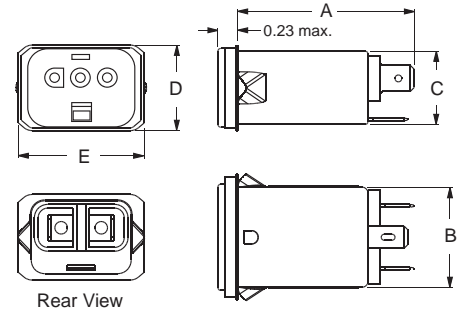
STYLE A



Typical Dimensions:

Load Terminals (2): .250 [6.3] with .07 [1.8] Dia. hole
 Ground Terminal (1): .250 [6.3] with .07 x .16 [1.8 x 3.8] slot
 Mounting Holes (2): .187 ± .008 [4.75 ± .20] Dia.
 90° countersunk for # 4 flathead screw

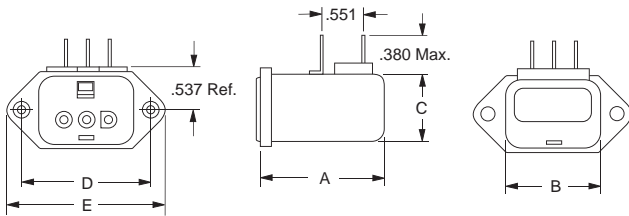
STYLE B



Typical Dimensions:

Load Terminals (2): .250 [6.3] with .07 [1.8] Dia. hole
 Ground Terminal (1): .250 [6.3] with .07 x .16 [1.8 x 3.8] slot

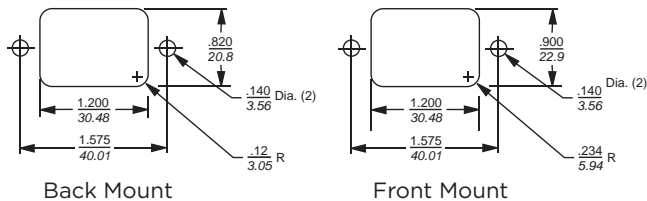
STYLE C



Typical Dimensions:

Pins (3): .031 x .06 ± .003
 Mounting Holes (2): 0.187 ± .008 [4.75 ± .20] Dia.
 90° countersunk for # 4 flathead screw

Recommended Panel Cutouts



Panel Thickness	"A" Dim. ± .002
0.031 – 0.052 [.79 – 1.32]	1.260 [32.00]
0.046 – 0.068 [1.17 – 1.73]	1.350 [34.29]

Case Dimensions:

Model Number	A max	B max	C max	D $\begin{smallmatrix} \pm .015 \\ \pm .38 \end{smallmatrix}$	E max
AMI-M11AV-1-X-B	2.15"/54.61mm	1.12"/28.45mm	0.81"/20.57mm	1.575"/40.01mm	1.98"/50.29mm
AMI-M11AV-1S-X-B	1.98"/50.29mm	1.10"/27.94mm	0.81"/20.57mm	0.96"/24.38mm	1.41"/35.81mm
AMI-M11AV-13-X-B	1.54"/39.12mm	1.12"/28.45mm	0.81"/20.57mm	1.575"/40.01mm	1.98"/50.29mm

Typical Insertion Loss

According to CISPR17 in 50 Ω system

— Common Mode / Asymmetrical (L-G)
— Differential Mode / Symmetrical (L-L)

