

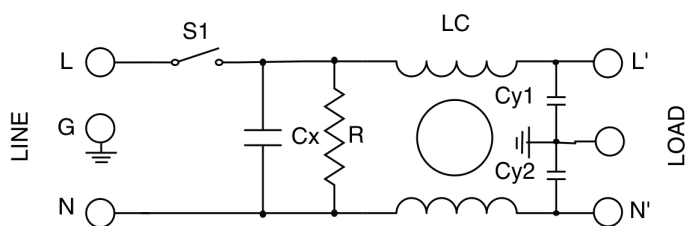
Features

- Integral IEC Connector
- Rated up to 10A
- High Conducted attenuation performance
- Excellent performance/size ratio

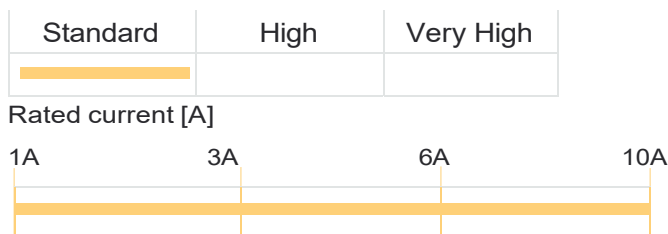
Applications

- Medical Application
- Electrical & Electronic Equipment's
- Testing & Measurement Equipment
- Household equipment

Typical Circuit Diagram



Performance Indicator



Approvals & Compliances



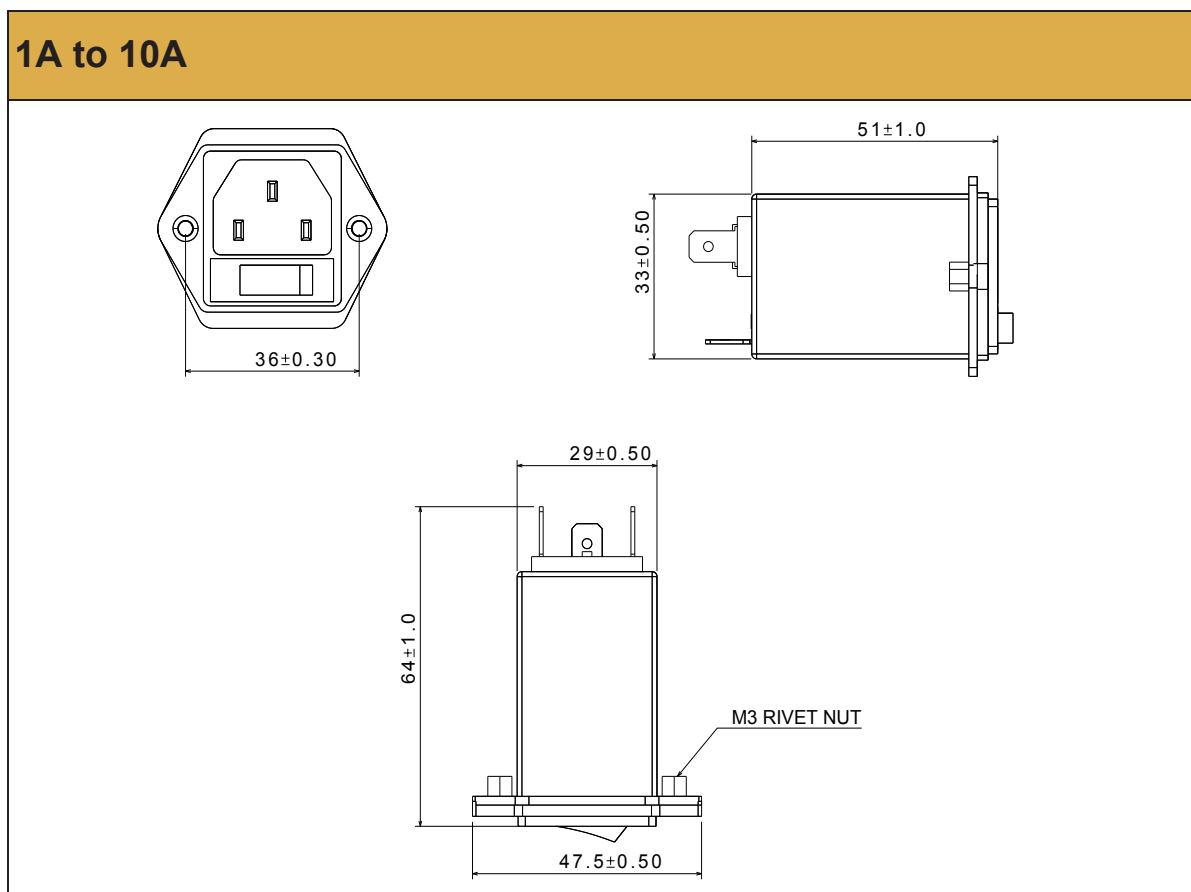
Technical Specifications

Maximum Continuous Operating Voltage	250VAC, 50/60Hz (UL Approval) 250VDC
Operating Frequency	DC to 400Hz
Current ratings	1A to 10A @40°C
High Potential test voltage	L+N-G 2250VDC for 1 Minute L-N 1450VDC for 1 Minute
Overload Capability	135% of Rated current for 15 minutes
Design Corresponding to	UL 60939-3
Flammability corresponding to	UL 94 V-0
Temperature range	-25°C to +85°C
Climatic Category	25/85/21

Selection Table

Available Part Number	Rated Current @40°C	Leakage Current @250VAC (mA)	Termination	Weight (Grams)
AMI-9163-1-1	1A	0.34	Fastons 6.3 X 0.8mm	65
AMI-9163-3-1	3A	0.34	Fastons 6.3 X 0.8mm	65
AMI-9163-6-1	6A	0.34	Fastons 6.3 X 0.8mm	65
AMI-9163-10-1	10A	0.34	Fastons 6.3 X 0.8mm	65

Mechanical Drawing

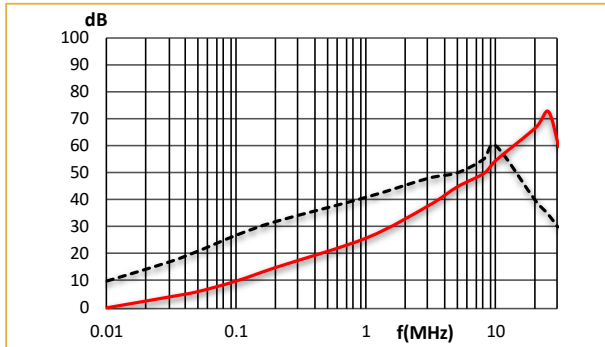


Typical Insertion Loss

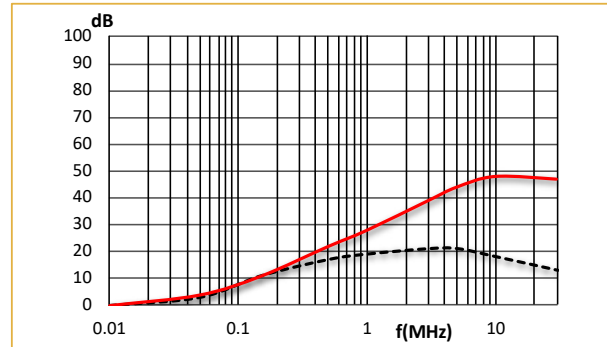
According to CISPR17 in 50 Ω system

— Common Mode / Asymmetrical (L-G)
 — Differential Mode / Symmetrical (L-L)

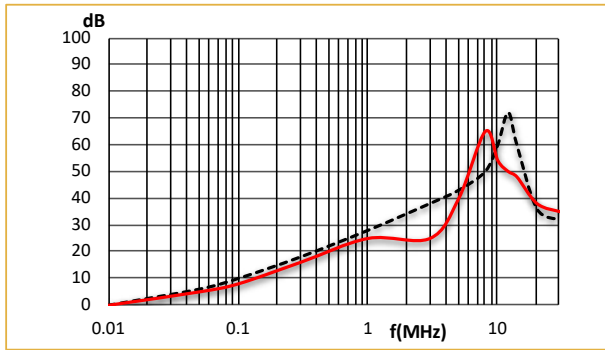
1A



3A



6A



10A

