

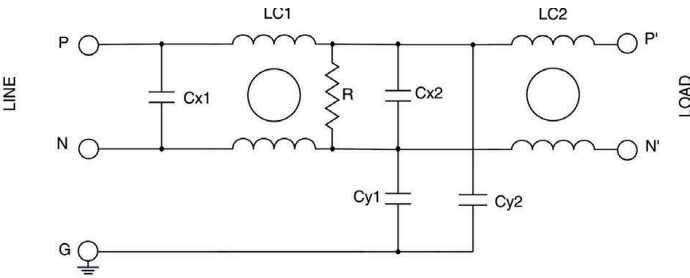
Features

- High EMI attenuation
- Rated up to 36A
- Two stage filters designed for noisy application requiring excellent filter performance
- Designed for easy and fast chassis mounting

Applications

- UPS/Inverters
- Industrial applications
- Medical equipment
- Electrical equipment application
Stepper Motor Drives

Typical Circuit Diagram






Approvals & Compliances






Technical Specifications




Maximum continuous operating voltage:	250 VAC, 50/60Hz, 250 VDC
Operating Frequency:	DC to 400Hz
Rated Currents:	1A to 36A @40°C
High Potential test voltage:	P to G 2250VDC for 2 Sec P to G 1500VAC for 2 Sec (M Types) P to N 1075VDC for 2 Sec
Overload Capability:	4x rated current at switch on 1.5x rated current for 1 minute, once per hour
Design corresponding to:	UL 60939-3 and IEC 60939-1&2
Temperature range:	-25°C to +100°C
Climatic category:	25/100/21
Flammability corresponding to:	UL 94 V-0 or better
Protection category:	IP 20

Selection Table




STANDARD VERSION							
Available Part Numbers	Current Rating @ 40°C (A)	Leakage current @ 250 VAC/50 Hz (mA)	Power loss 50Hz (W)	Termination			Weight Approx. (g)
							
AMI-1070-1-1	1	0.37	2.5	-1	-	-	200
AMI-1070-1-3	1	0.37	2.5	-	-3	-	200
AMI-1070-3-1	3	0.37	2.5	-1	-	-	250
AMI-1070-3-3	3	0.37	2.5	-	-3	-	250
AMI-1070-6-1	6	0.37	3.5	-1	-	-	450
AMI-1070-6-3	6	0.37	3.5	-	-3	-	450
AMI-1070-10-1	10	0.37	9.5	-1	-	-	700
AMI-1070-10-3	10	0.37	9.5	-	-3	-	700
AMI-1070-10-6	10	0.37	9.5	-	-	-6	700
AMI-1070-12-1	12	0.37	13.5	-1	-	-	700
AMI-1070-12-3	12	0.37	13.5	-	-3	-	700
AMI-1070-12-6	12	0.37	13.5	-	-	-6	700
AMI-1070-16-1	16	0.37	10	-1	-	-	1000
AMI-1070-16-3	16	0.37	10	-	-3	-	1000
AMI-1070-16-6	16	0.37	10	-	-	-6	1000
AMI-1070-25-6	25	0.37	12	-	-	-6	1000
AMI-1070-36-6	36	0.37	13.5	-	-	-6	1000

Selection Table

SAFETY VERSION							
Available Part Numbers	Current Rating @ 40°C (A)	Leakage current @ 250 VAC/50 Hz (mA)	Power loss 50Hz (W)	Termination			Weight Approx. (g)
							
AMI-1070A-1-1	1	0.05	2.5	-1	-	-	200
AMI-1070A-1-1	1	0.05	2.5	-	-3	-	200
AMI-1070A-3-1	3	0.05	2.5	-1	-	-	250
AMI-1070A-3-3	3	0.05	2.5	-	-3	-	250
AMI-1070A-6-1	6	0.05	3.5	-1	-	-	450
AMI-1070A-6-3	6	0.05	3.5	-	-3	-	450
AMI-1070A-10-1	10	0.05	9.5	-1	-	-	700
AMI-1070A-10-3	10	0.05	9.5	-	-3	-	700
AMI-1070A-10-6	10	0.05	9.5	-	-	-6	700
AMI-1070A-12-1	12	0.05	13.5	-1	-	-	700
AMI-1070A-12-3	12	0.05	13.5	-	-3	-	700
AMI-1070A-12-6	12	0.05	13.5	-	-	-6	700
AMI-1070A-16-1	16	0.05	10	-1	-	-	1000
AMI-1070A-16-3	16	0.05	10	-	-3	-	1000
AMI-1070A-16-6	16	0.05	10	-	-	-6	1000
AMI-1070A-25-6	25	0.05	12	-	-	-6	1000
AMI-1070A-36-6	36	0.05	13.5	-	-	-6	1000

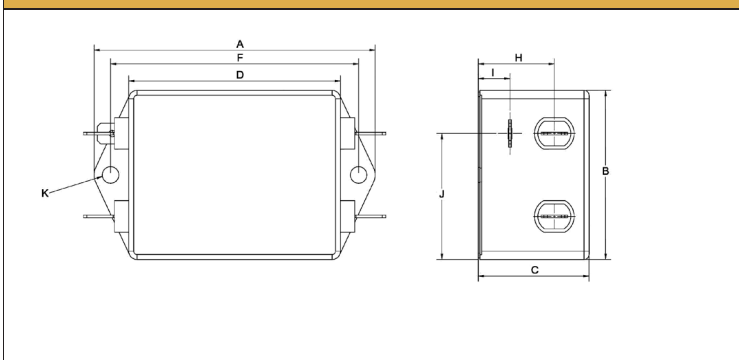
ENHANCED VERSION							
Available Part Numbers	Current Rating @ 40°C (A)	Leakage current @ 250 VAC/50 Hz (mA)	Power loss 50Hz (W)	Termination			Weight Approx. (g)
							
AMI-1070M-1-1	1	3.96	2.5	-1	-	-	200
AMI-1070M-3-1	3	3.96	2.5	-1	-	-	250
AMI-1070M-6-1	6	3.96	3.5	-1	-	-	450
AMI-1070M-10-1	10	3.96	9.5	-1	-	-	670
AMI-1070M-10-6	10	3.96	9.5	-	-	-6	670
AMI-1070M-12-1	12	3.96	13.5	-1	-	-	670
AMI-1070M-12-6	12	3.96	13.5	-	-	-6	670
AMI-1070M-16-1	16	3.96	10	-1	-	-	1000
AMI-1070M-16-6	16	3.96	10	-	-	-6	1000
AMI-1070M-25-6	25	3.96	12	-	-	-6	1000
AMI-1070L-36-6	36	2.6	13.5	-	-	-6	1000

Selection Table

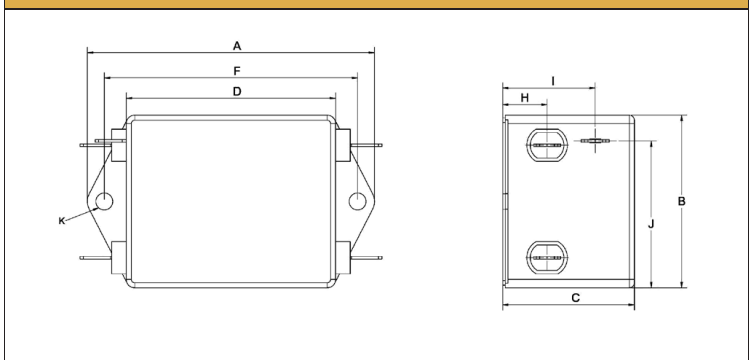
MEDICAL VERSION							
Available Part Numbers	Current Rating @ 40°C (A)	Leakage current @ 250 VAC/50 Hz (mA)	Power loss 50Hz (W)	Termination			Weight Approx. (g)
							
AMI-1070B-1-1	1	0	2.5	-1	-	-	200
AMI-1070B-1-1	1	0	2.5	-	-3	-	200
AMI-1070B-3-1	3	0	2.5	-1	-	-	250
AMI-1070B-3-3	3	0	2.5	-	-3	-	250
AMI-1070B-6-1	6	0	3.5	-1	-	-	450
AMI-1070B-6-3	6	0	3.5	-	-3	-	450
AMI-1070B-10-1	10	0	9.5	-1	-	-	700
AMI-1070B-10-3	10	0	9.5	-	-3	-	700
AMI-1070B-10-6	10	0	9.5	-	-	-6	700
AMI-1070B-12-1	12	0	13.5	-1	-	-	700
AMI-1070B-12-3	12	0	13.5	-	-3	-	700
AMI-1070B-12-6	12	0	13.5	-	-	-6	700
AMI-1070B-16-1	16	0	10	-1	-	-	1000
AMI-1070B-16-3	16	0	10	-	-3	-	1000
AMI-1070B-16-6	16	0	10	-	-	-6	1000
AMI-1070B-25-6	25	0	12	-	-	-6	1000
AMI-1070B-36-6	36	0	13.5	-	-	-6	1000

Mechanical Drawing

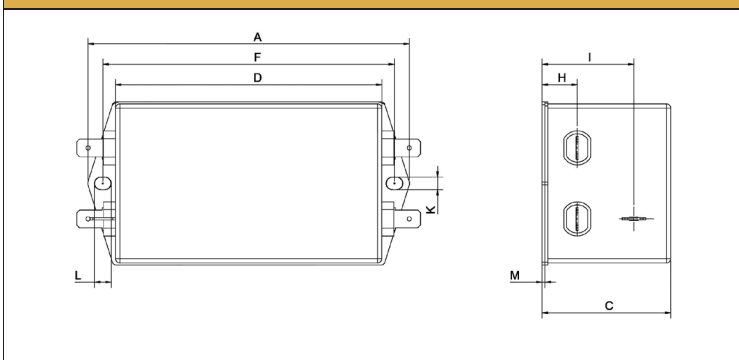
Connection style - Spade Terminals, 1A type



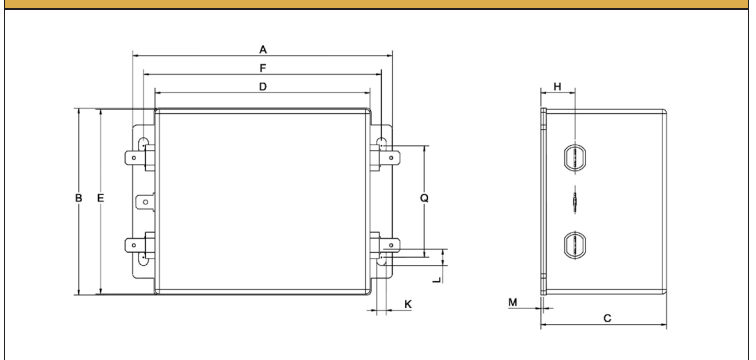
Connection style - Spade Terminals, 3 A type



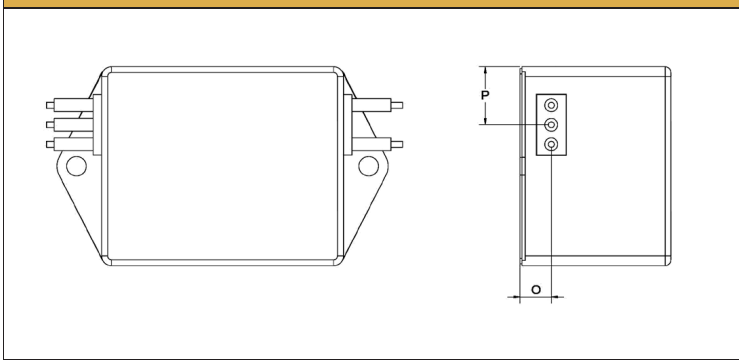
Connection style - Spade Terminals, 6A to 12A type



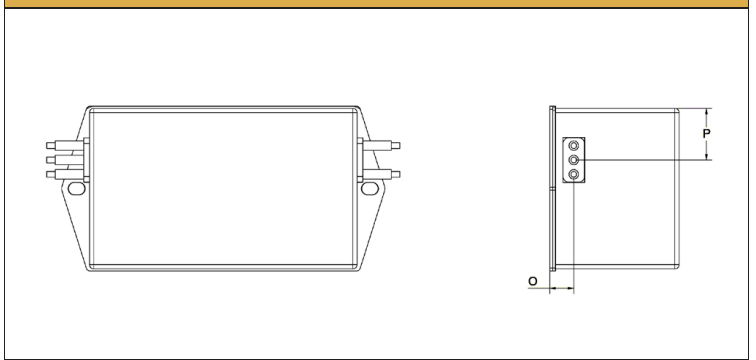
Connection style - Spade Terminals, 16A types



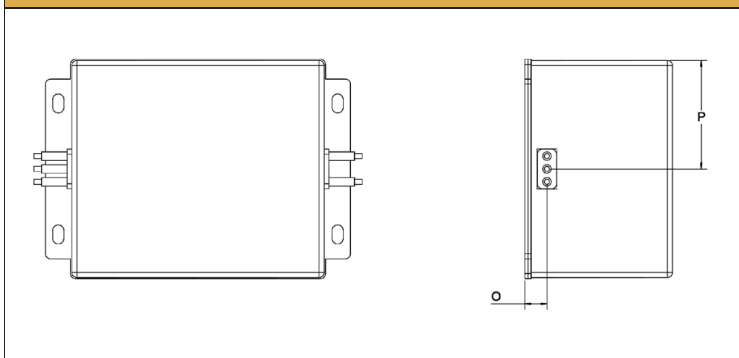
Connection style - Wire Leads, 1A to 3A type



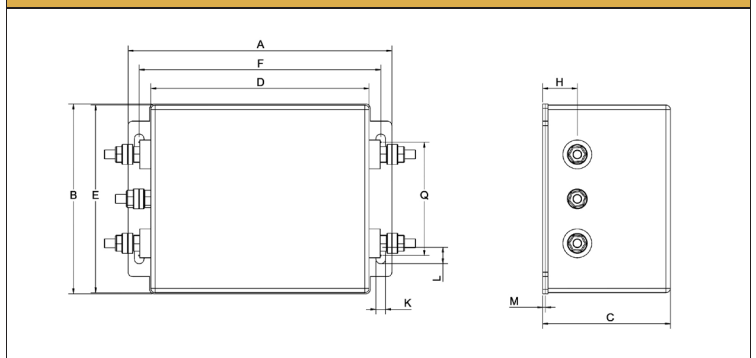
Connection style - Wire Leads, 6A to 12A type



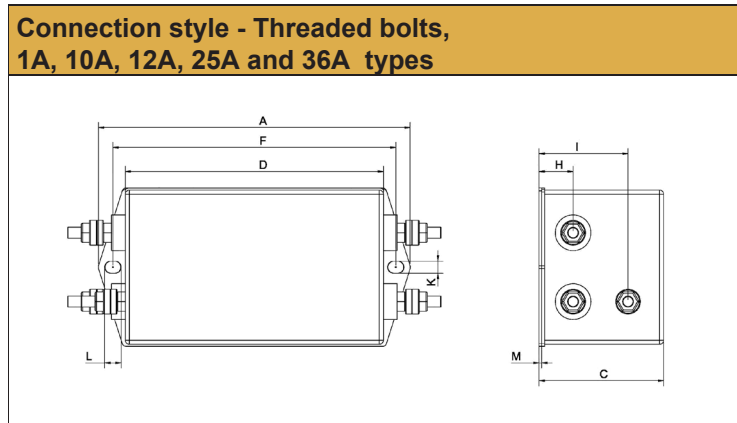
Connection style - Wire Leads, 16 A types



Connection style - Threaded bolts, 1A, 16 A type



Mechanical Drawing:



Mechanical Dimensions:

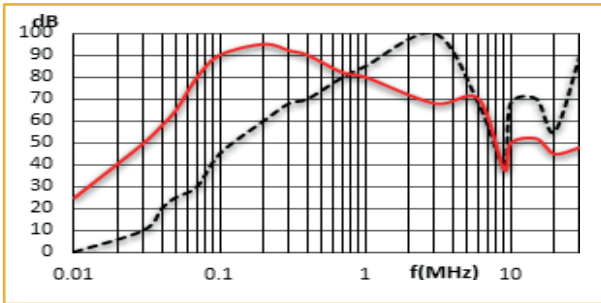
	1A	3A	6A	10A	12A	16A	25A	36A
A	85±1	85±1	113.5±1	156±1	156±1	119±1	156±1	156±1
B	51±1	51±1	57.5±1	57.5±1	57.5±1	85.5±1	57.5±1	57.5±1
C	32.5±1	39±1	45.4±1	45.4±1	45.4±1	57.6±1	45.4±1	45.4±1
D	64±1	62±1	94±1	130.5±1	130.5±1	98.5±1	130.5±1	130.5±1
E	-	-	56	56	56	84.5	56	56
F	75	75	103	143	143	109	143	143
H	21.5	13	12.4	12.4	12.4	15.6	12.4	12.4
I	9	27.5	32.4	32.5	32.5	-	32.5	32.5
K	5	5	4.4	5.3	5.3	4.4	5.3	5.3
L	-	-	6	6	6	7.4	6	6
M	0.8	0.8	1	1	1	1.2	1	1
Connection Style-04	-	-	-	-	-	-	-	-
N	6.3x0.8	6.3x0.8	6.3x0.8	6.3x0.8	6.3x0.8	6.3x0.8	-	-
Connection Style-05	-	-	-	-	-	-	-	-
O	8.3	8.3	8.4	8.4	8.4	8.6	-	-
P	14.9	14.9	18	18	18	42.25	-	-
AWG Type Wire	AWG 20	AWG 20	AWG 18	AWG 18	AWG 16	AWG 16	-	-
Wire Length	140	140	140	140	140	140	-	-
Connection Style-01	-	-	-	-	-	-	-	-
N	-	-	-	M4	M4	M4	M4	M4
Recommended torque (Nm)	-	-	-	1.2-1.3	1.2-1.3	1.2-1.3	1.2-1.3	1.2-1.3
Earth terminal Recommended torque (Nm)	-	-	-	1.5-1.7	1.5-1.7	1.5-1.7	1.5-1.7	1.5-1.7

Typical Insertion Loss

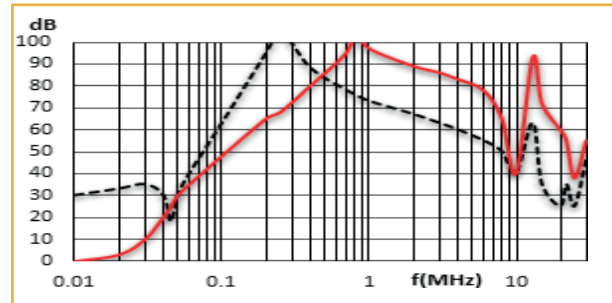
According to CISPR17 in 50 Ω system

— Common Mode / Asymmetrical (L-G)
 — Differential Mode / Symmetrical (L-L)

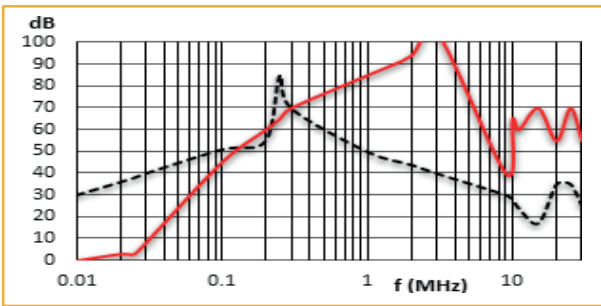
1A Standard Version



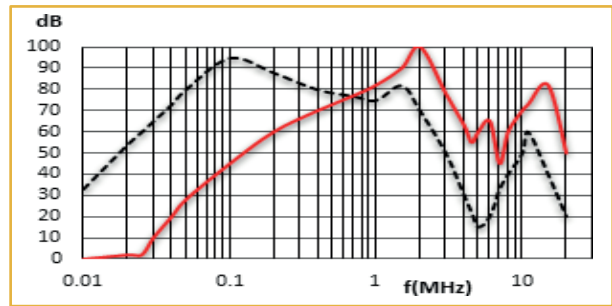
Safety Version



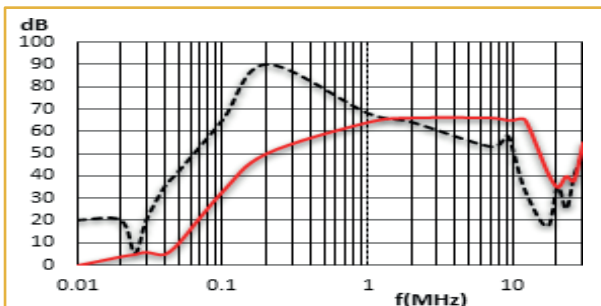
Medical Version



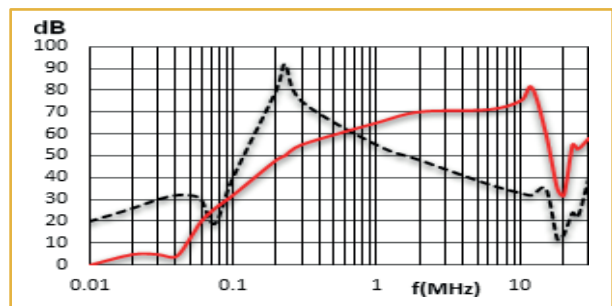
Enhanced Performance



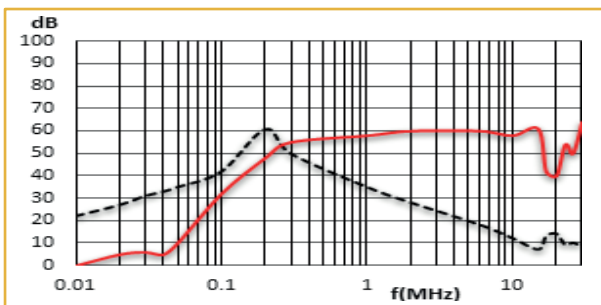
3A Standard Version



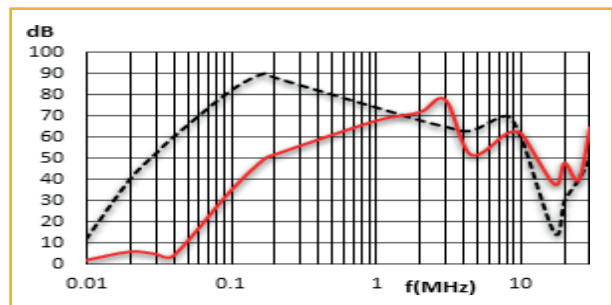
Safety Version



Medical Version



Enhanced Performance

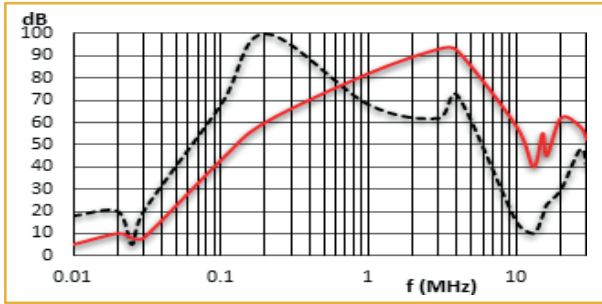


Typical Insertion Loss

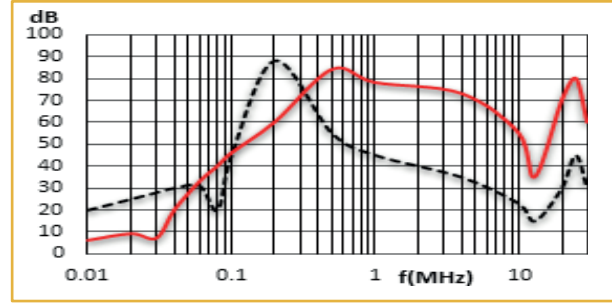
According to CISPR17 in 50 Ω system

— Common Mode / Asymmetrical (L-G)
 — Differential Mode / Symmetrical (L-L)

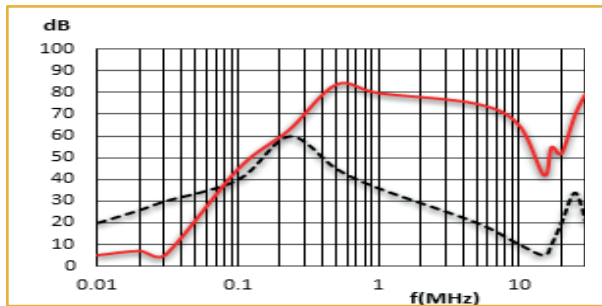
6A Standard Version



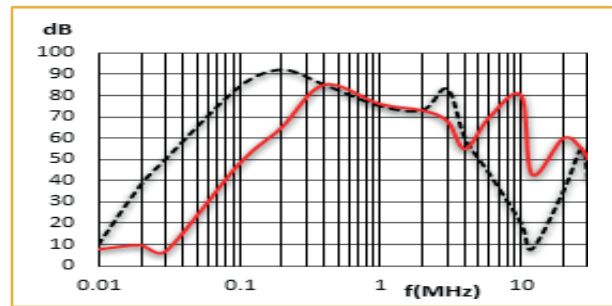
Safety Version



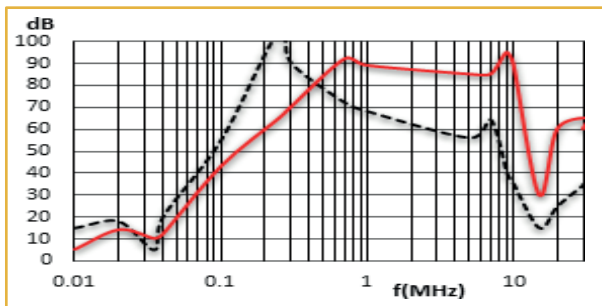
Medical Version



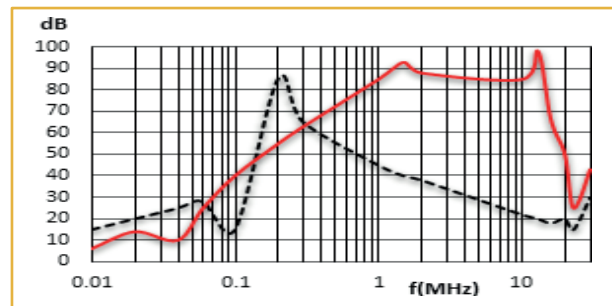
Enhanced Performance



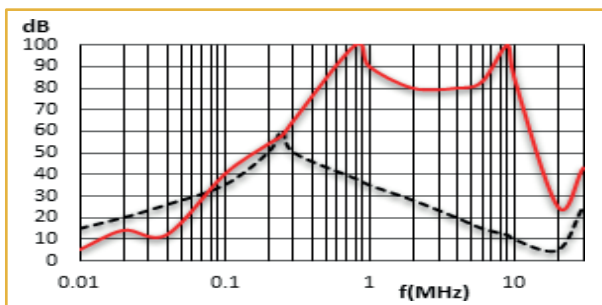
10A Standard Version



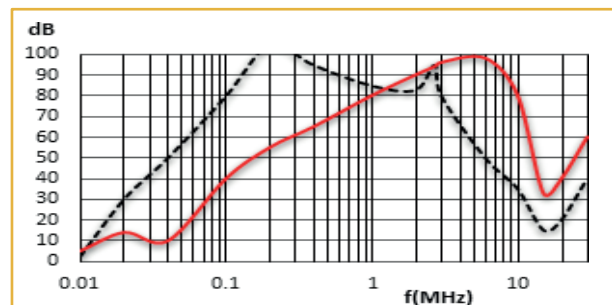
Safety Version



Medical Version



Enhanced Performance

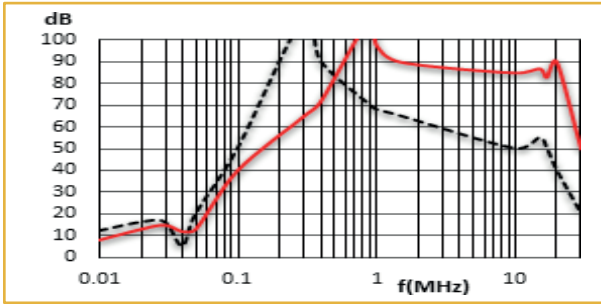


Typical Insertion Loss

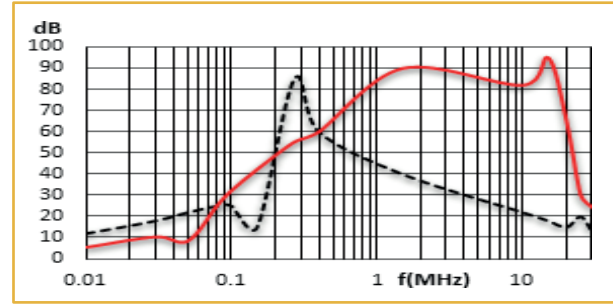
According to CISPR17 in 50 Ω system

— Common Mode / Asymmetrical (L-G)
 — Differential Mode / Symmetrical (L-L)

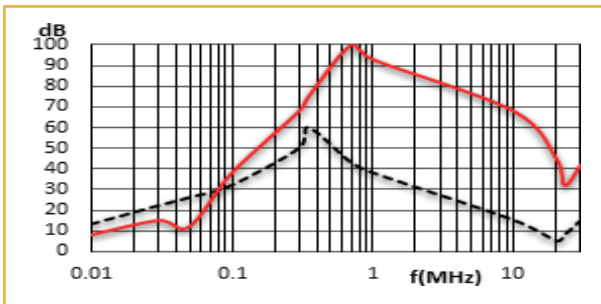
12A Standard Version



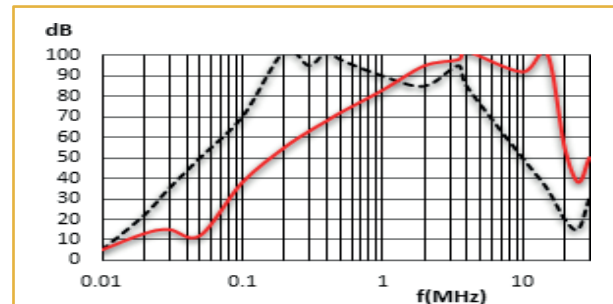
Safety Version



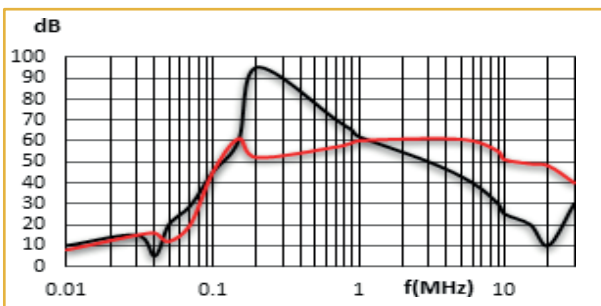
Medical Version



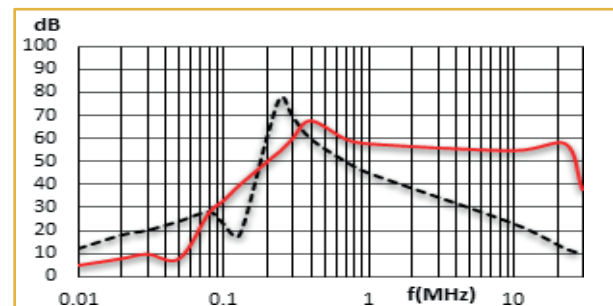
Enhanced Performance



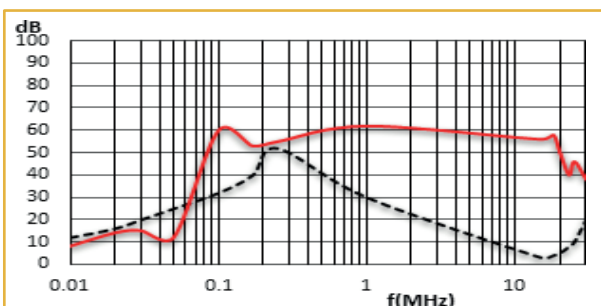
16A Standard Version



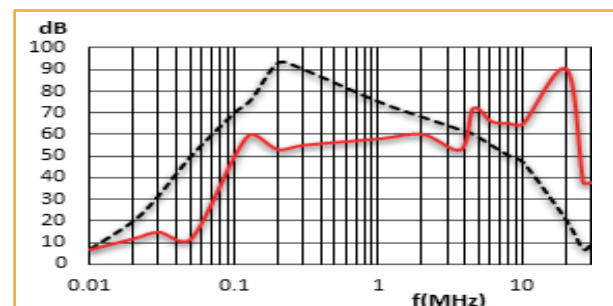
Safety Version



Medical Version



Enhanced Performance

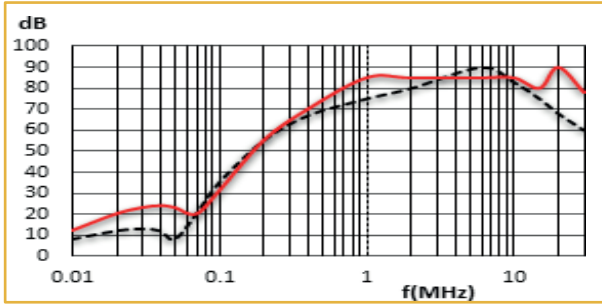


Typical Insertion Loss

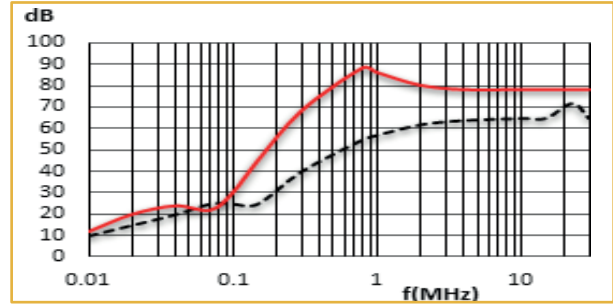
According to CISPR17 in 50 Ω system

— Common Mode / Asymmetrical (L-G)
 — Differential Mode / Symmetrical (L-L)

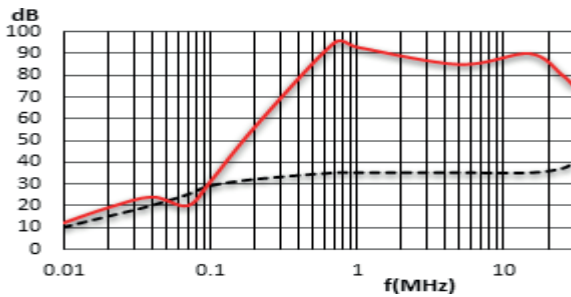
25A Standard Version



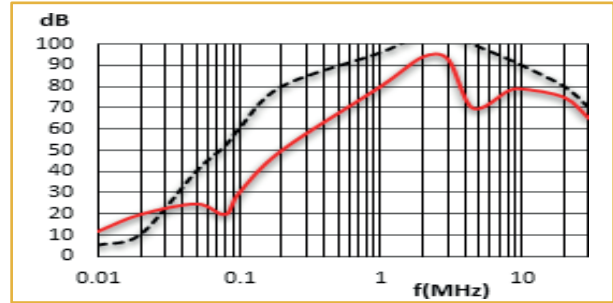
Safety Version



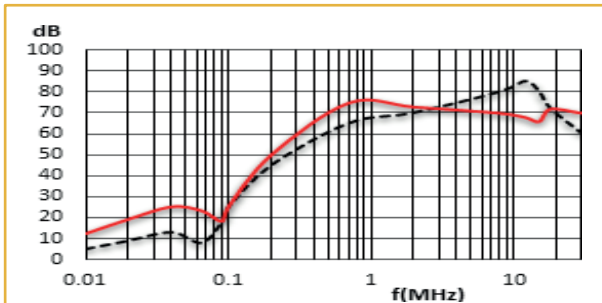
Medical Version



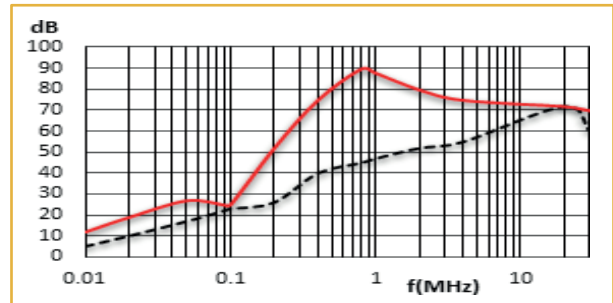
Enhanced Performance



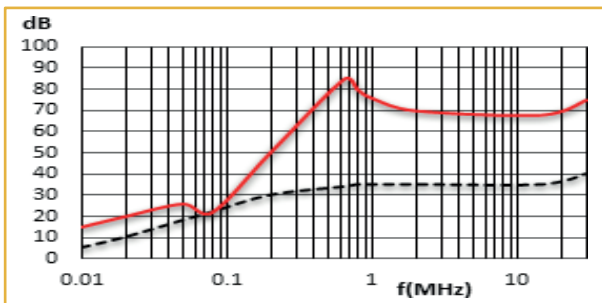
36A Standard Version



Safety Version



36A Medical Version



Enhanced Performance

