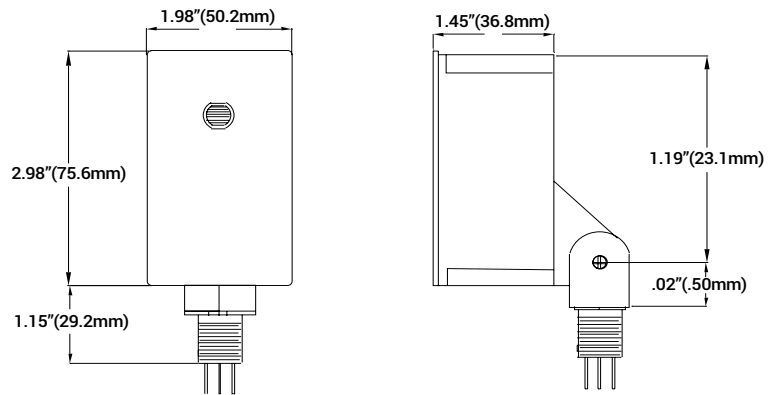


P-103 SERIES PHOTOCELLS

P-103 Series features a durable polycarbonate housing photocell available in fixed or adjustable swivel base for installation flexibility as well as adjustable slide bar allowing for on-site field adjustment. Our 30-45 second time delay prevents undesirable OFF/ON operations from sudden outdoor light levels including headlights and lightning strikes and energy saving dusk to dawn sensors.

Product Features:

- Heavy Duty Thermal Bi-Metal Switch
- Economical Non-Metal Housing
- Factory Preset Turn-On with Adjustable Slide Bar
- 30-45 Second Time Delay
- Turn On Fc : 1.5
- Off/On Ratio 4:1
- Fail Safe
- ANSI C136.10 Compliant
- UL/CSA Listed (CUL)
- Design Life at Rated Load: 5,300 Cycles (10+ years)
- 10 Year Product Warranty



Specifications:

Physical

Enclosure: Designed to meet UL 773A
Power Consumption: Less than 0.9Watts (avg.) at 120VAC

Temperature Range

-40°F to 158°F (-40°C to +70°C) at 96% RH

Light Sensor

Cadmium Sulfide Cell

Load Rating

2000 Watt Tungsten, 1900VA Ballast

Control

SPST Thermal Bi-metal Switch

P-103 Series Product Selection Information

XXX - Denotes Optional Customer Number

Model	AMI P-103-01-6-XXX	AMI P-103-01-6S-XXX	AMI P-103-02-6-XXX	AMI P-103-03-6-	AMI P-103-03-6S-XXX
Type	Fixed	Swivel	Fixed	Fixed	Swivel
Rated Volts	120	120	120/208/240/277	208/240/277	208/240/277
Voltage Range (Volts)	105-130	105-130	105-305	185-305	185-305

P-103 Series Technical Data

Voltage Range	Fail Mode	Housing	Lead Wires	Nipple	Nut
120 or 208/240/277 or 120/208/240/277 VAC	ON (contacts normally closed)	Polycarbonate with UV stabilized window	6", #14 AWG, 105°C	½" pipe	½" pipe, die-cast