

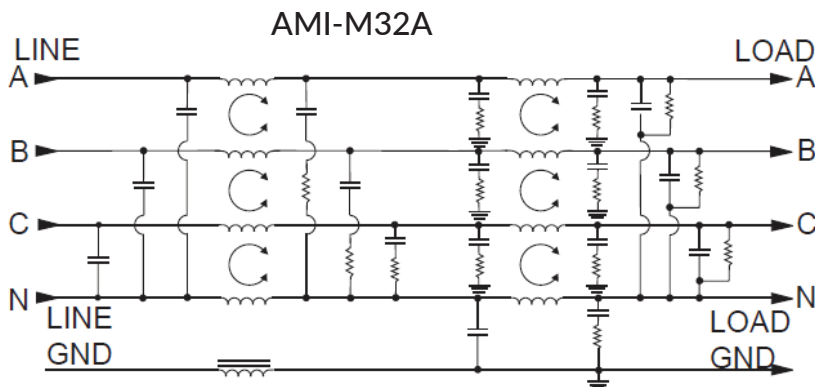
High Performance RFI Filters For Switching Power Supplies

AMI-32A Series

Metal Enclosure Three Phase Single Stage Filters

AMI Designation	Input/output Style	Current Rating	Inductance mH	Capacitance		Resistor K Ω	Leakage Current @ 120 VAC 60Hz/250 VAC 50Hz	TIL Insertion Loss	Case Style
		A	L mH	Cx $\pm 20\%$ μF	Cy $\pm 20\%$ nF				
Available Part Numbers	Threaded Bolts								
AMI-M32A-6-20-D(G) (.261*3.29*10*110)	6	20	.261	4.47	26	73.3	1.4/3.4	001	A
AMI-M32A-6-30-D(G) (.261*3.29*28*110)	6	30	.261	4.47	26	73.3	1.4/3.4	002	A
AMI-M32A-6-45-D(G) (.261*2.0*26*165)	6	45	.261	4.47	26	73.3	1.4/3.4	003	A
AMI-M32A-6-60-D(G) (.261*2.0*26*165)	6	60	.261	4.47	26	73.3	1.4/3.4	004	A

Electrical Schematic



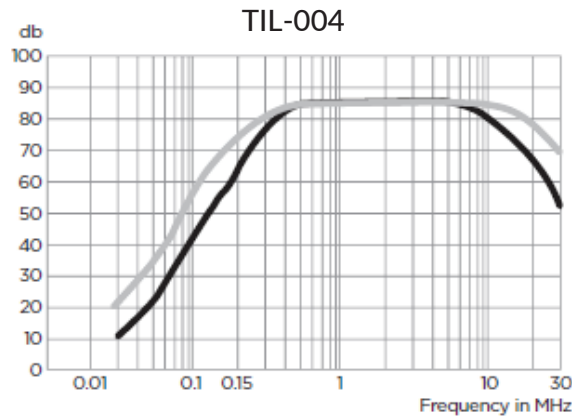
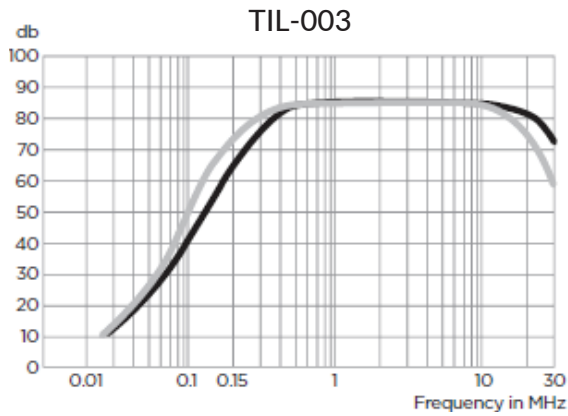
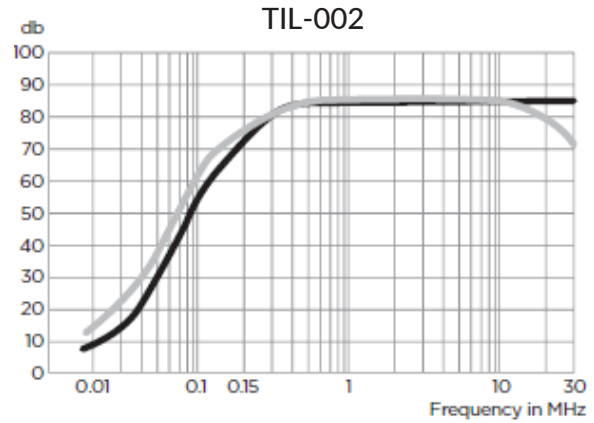
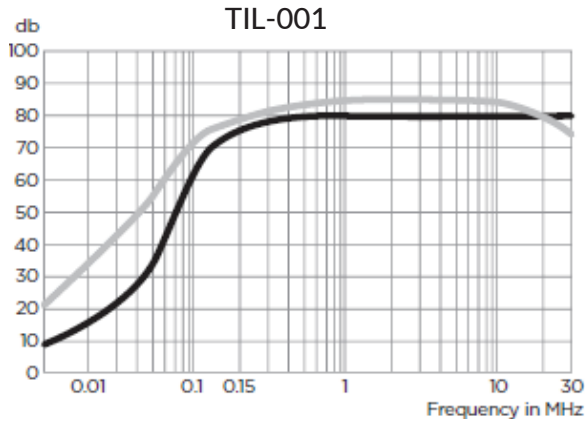
SPECIFICATIONS:

- Rated Voltage (max): Phase to Phase: 440 VAC, Phase to Neutral/Ground: 250 VAC
- Operating Frequency: 50/60 Hz
- Operating Current: 20 to 60 A
- Hi-pot Rating (one minute): Line to Ground: 1500 VAC
Line to Line: 1500 VAC
Line to Neutral: 1450 VDC
- Operating Ambient Temperature Range (at rated current I_r): -10°C to $+40^{\circ}\text{C}$. In an ambient temperature (T_a) higher than $+40^{\circ}\text{C}$ the maximum operating current (I_o) is calculated as follows: $I_o = I_r \sqrt{[(85 - T_a)/45]}$

High Performance RFI Filters For Switching Power Supplies

Performance Data Typical Insertion Loss

Measured in closed 50 Ohm system



High Performance RFI Filters For Switching Power Supplies

Minimum Insertion Loss

Common Mode/Asymmetrical (Line to Ground)

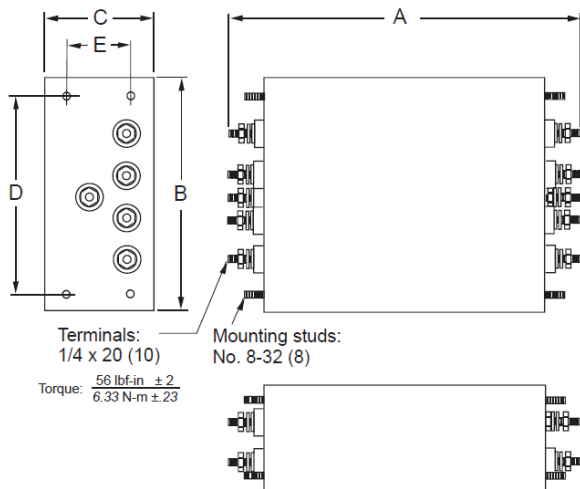
Current Rating	Frequency-MHz							
	.05	.1	.15	.5	1	5	10	30
20A	22	32	39	55	56	65	65	54
30A	15	24	30	55	55	61	63	50
45A	8	19	25	49	49	56	58	45
60A	5	16	22	50	50	54	54	47

Differential Mode/Symmetrical (Line to Line)

Current Rating	Frequency-MHz							
	.05	.1	.15	.5	1	5	10	30
20A	20	38	50	65	65	65	60	52
30A	18	28	43	65	65	65	59	48
45A	8	20	27	60	65	65	56	43
60A	20	24	27	60	65	65	56	50

Case Styles

STYLE A



High Performance RFI Filters For Switching Power Supplies

Case Dimensions:

Model Number	A max	B max	C max	D $\begin{smallmatrix} \pm .015 \\ \pm .38 \end{smallmatrix}$	E max
AMI-M-32A-6-20(G)	13.82"/351.0mm	5.57"/141.5mm	2.56"/65.0mm	4.616"/117.2mm	1.50"/38.1mm
AMI-M-32A-6-30(G)	13.82"/351.0mm	5.57"/141.5mm	2.56"/65.0mm	4.616"/117.2mm	1.50"/38.1mm
AMI-M-32A-6-45(G)	13.83"/351.3mm	6.92"/175.8mm	4.82"/122.4mm	5.95"/151.1mm	3.75"/95.3mm
AMI-M-32A-6-60(G)	13.83"/351.3mm	6.92"/175.8mm	4.82"/122.4mm	5.95"/151.1mm	3.75"/95.3mm