

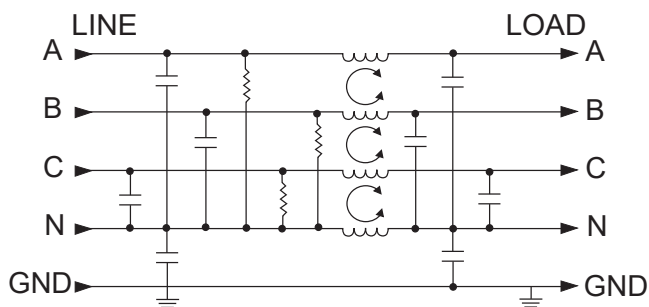
## Features

- Studs or Terminal Blocks options
- Rated up to 100A
- Low Earth Leakage
- Touch Safe Terminal Blocks

## Applications

- Automation & Control
- Renewable Energy
- Machinery/ Machine Tools
- Whole Cabinet Filtering

## Typical Circuit Diagram



## Approvals & Compliances



## Technical Specifications

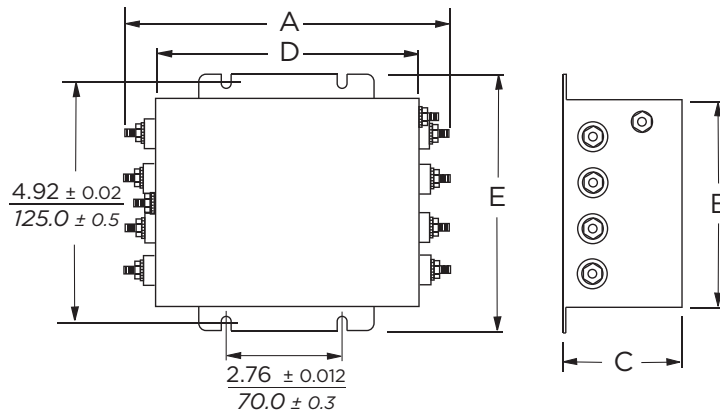
Maximum Continuous Operating Voltage	Phase to Phase: 440 VAC Phase to Neutral/Ground: 250 VAC
Operating Frequency	50/60Hz
Rated Current	16 to 100A @40°C
Temperature range	-10°C to +40°C
High Potential Test Voltage	Line to Ground: 1500 VAC Line to Line: 1450 VDC

## Selection Table

AMI Designation	Input/output Style			Current Rating	Inductance	Capacitance		Resistor	Leakage Current @ 120 VAC 60Hz/250 VAC 50Hz	TIL Insertion Loss	Case Style
						Cx	Cy				
Available Part Numbers	6.3mm Spades Terminals	Threaded Bolts	Feed-Through Terminals	A	mH	nF	pF	KΩ			
						AMI-M31NA-10-16-D					
AMI-M31NA-6A-16-D		6A		16	1.2	4400	30000	330	1.62/2.82	001	A
AMI-M31NA-6A-25-D		6A		25	1.1	4400	30000	330	1.62/2.82	002	A
AMI-M31NA-10-25-D			10	25	1.1	4400	30000	330	1.5/2.3	002	C
AMI-M31NA-6A-36-D		6A		36	0.88	4400	30000	330	1.62/2.82	003	A
AMI-M31NA-6-36-D		6		36	0.88	4400	30000	330	1.62/2.82	003	B
AMI-M31NA-6A-50-D		6A		50	0.67	4400	30000	330	1.62/2.82	004	A
AMI-M31NA-10-50-D			10	50	0.67	4400	30000	330	1.5/2.3	004	C
AMI-M31NA-6-50-D		6		50	0.67	4400	30000	330	1.62/2.82	004	B
AMI-M31NA-6A-100-D		6A		100	0.25	4400	30000	330	1.62/2.82	005	A
AMI-M31NA-10-100-D			10	100	0.25	4400	30000	330	1.5/2.3	005	C

## Case Styles

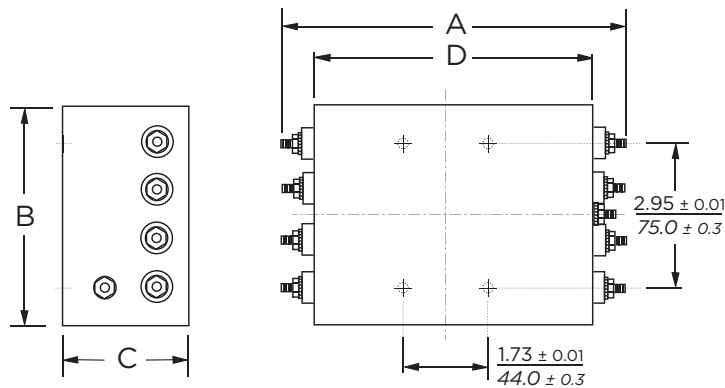
### STYLE A



Typical Dimensions:

Mounting slots (4):	.425 x .254 [10.8 x 6.6]
16 & 25A Terminals(8):	8-32, Torque (max.) 26 lbf-in [2.94 N-m]
36A Terminals(8):	10-32, Torque (max.) 27 lbf-in [3.05 N-m]
50, 63 & 100A Terminals(8):	1/4-20, Torque (max.) 56 lbf-in [6.33 N-m]

### STYLE B

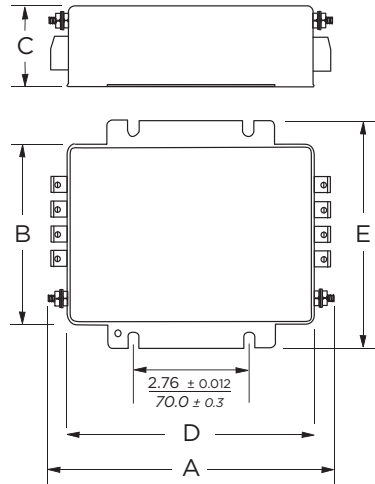


Typical Dimensions:

Threaded mounting holes(4):	M5 x 8
16 & 25A Terminals(8):	8-32, Torque (max.) 26 lbf-in [2.94 N-m]
36A Terminals(8):	10-32, Torque (max.) 27 lbf-in [3.05 N-m]
50A Terminals(8):	1/4-20, Torque (max.) 56 lbf-in [6.33 N-m]

## Case Styles

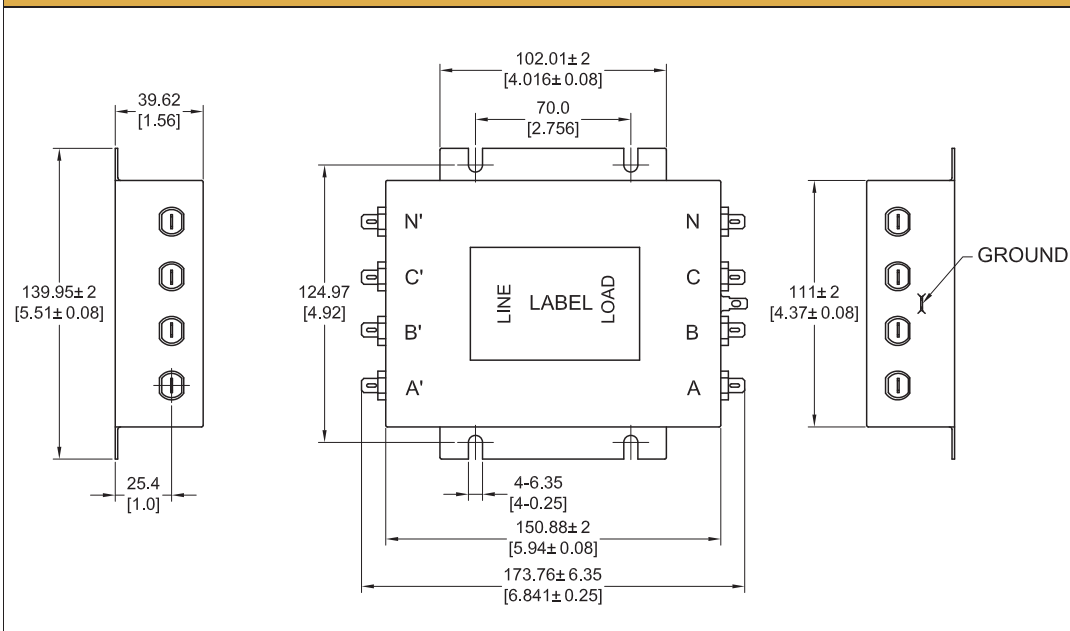
### STYLE C



Typical Dimensions:

Mounting slots (4):	.425 x .254 [10.8 x 6.6]
Terminal blocks(8):	4 mm <sup>2</sup> Torque (max.) 7.08 lbf-in [0.8 N-m]
Ground terminal(1):	M5, Torque (max.) 26.58 lbf-in [3.0 N-m]

### STYLE D



## Case Dimensions:

Model Number	A max	B max	C max	$D \begin{smallmatrix} \pm .15 \\ \pm .38 \end{smallmatrix}$	E max	F max	G max	H max	I max	J max
AMI-M31NA-10-25-D	5.5"/139.7mm	5.94"/151.0mm	2.75"/70.0mm	2.0"/50.8mm	-	-	-	-	-	-
AMI-M31NA-10-50-D AMI-M31NA-10-16-D	5.45"/138.43mm	5.94"/151.0mm	2.75"/70.0mm	4.92"/124.97mm	4.37"/111.0mm	3.0"/76.0mm	-	-	-	-
AMI-M31NA-10-100-D	5.45"/138.43mm	5.94"/151.0mm	2.75"/70.0mm	4.92"/124.97mm	4.37"/111.0mm	3.0"/76.0mm	-	-	-	-
AMI-M31NA-10-16-D	5.5"/139.95mm	5.94"/151.0mm	2.75"/70.0mm	4.92"/124.97mm	4.01"/102.01mm	6.84"/173.76mm	0.25"/6.35mm	1.56"/39.62mm	1.0"/25.4mm	4.37"/111.0mm
AMI-M31NA-6-16 AMI-M31NA-6-25	7.91"/201.1mm	4.37"/111.0mm	1.97"/50.0mm	5.94"/151.0mm	5.51"/140.0mm	-	-	-	-	-
AMI-M31NA-6-36 AMI-M31NA-6-50	7.91"/201.1mm	4.37"/111.0mm	2.56"/65.0mm	5.94"/151.0mm	5.51"/140.0mm	-	-	-	-	-
AMI-M31NA-6-100	7.91"/201.1mm	4.37"/111.0mm	2.56"/65.0mm	5.94"/151.0mm	5.51"/140.0mm	-	-	-	-	-
AMI-M31NA-6A-36 AMI-M31NA-6A-50	7.91"/201.1mm	4.37"/111.0mm	2.56"/65.0mm	5.94"/151.0mm	-	-	-	-	-	-

## Typical Insertion Loss

According to CISPR17 in 50 Ω system

— Common Mode / Asymmetrical (L-G)  
— Differential Mode / Symmetrical (L-L)

