

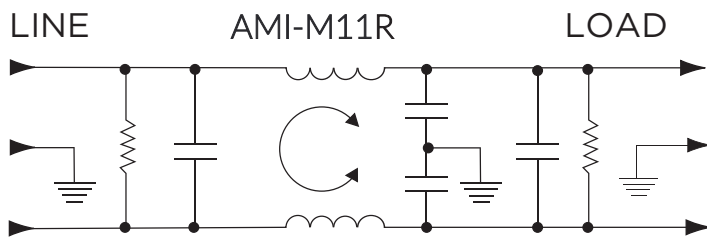
Features

- General purpose filtering
- Choice of Earth Leakage
- Rated up to 10A
- Choice of Inserts Thread

Applications

- Electrical and Electronic equipment
- Consumer goods
- Home appliances
- Office equipment

Typical Circuit Diagram



Approvals & Compliances



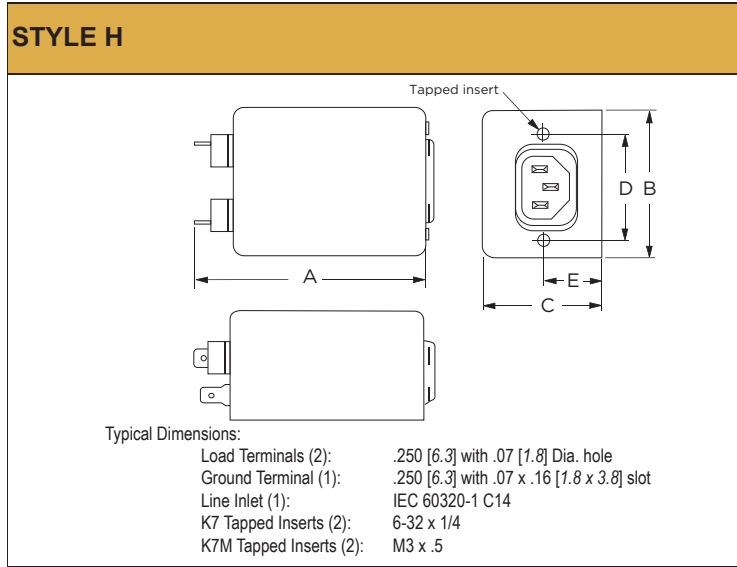
Technical Specifications

Maximum Continuous Operating Voltage	250 VAC Max
Operating Frequency	50/60Hz
Rated Current	3 to 10A @40°C
Temperature range	-10°C to +40°C
High Potential Test Voltage	Line to Ground: 2250 VDC Line to Line: 1450 VDC

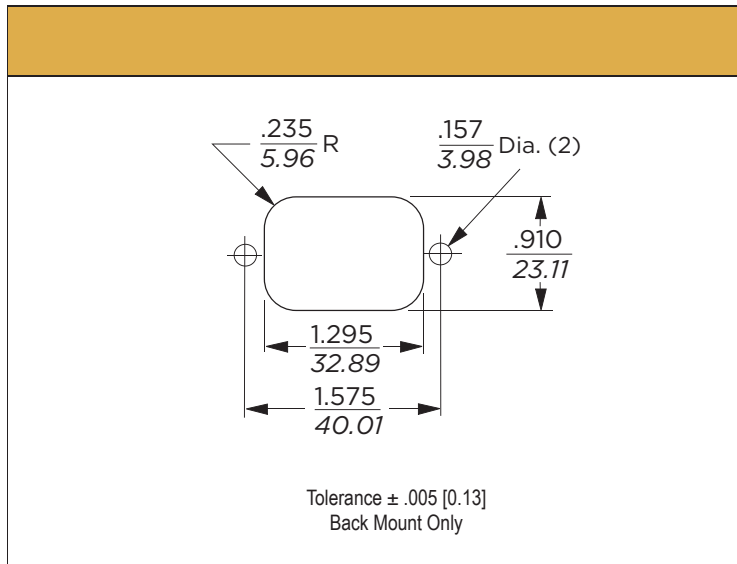
Selection Table

AMI Designation	Input/output Style IEC Socket	Current Rating	Inductance	Capacitance		Resistor	Leakage Current@ 120VAC 60Hz/250 VAC 50 Hz	TIL Insertion Loss	Case Style
				Cx	Cy				
Available Part Numbers	IEC	A	mH	nF	pF	KO	mA		
				AMI-M11R-7-3-B-1	7				
AMI-M11R-7-6-B-1	7	3	7.06	540	5500	330	0.4/0.7	001	H
AMI-M11R-7-6-B-1	7	6	7.8	540	5500	330	0.4/0.7	001	H
AMI-M11R-7M-6-B-1	7	6	7.8	540	5500	330	0.4/0.7	001	H
AMI-M11R-7-10-B-1	7	10	7.13	540	5500	330	0.4/0.7	003	H
AMI-M11R-7M-10-B-1	7	10	7.13	540	5500	330	0.4/0.7	003	H
AMI-M11R-7-3-B-2	7	3	7.06	540	2800	330	0.21/0.36	002	H
AMI-M11R-7M-3-B-2	7	3	7.06	540	2800	330	0.21/0.36	002	H
AMI-M11R-7-6-B-2	7	6	7.8	540	2800	330	0.21/0.36	002	H
AMI-M11R-7M-6-B-2	7	6	7.8	540	2800	330	0.21/0.36	002	H
AMI-M11R-7-10-B-2	7	10	7.13	540	2800	330	0.21/0.36	004	H
AMI-M11R-7M-10-B-2	7	10	7.13	540	2800	330	0.21/0.36	004	H
AMI-M11R-7M-10-C-2	7	10	7.13	540	2800	330	0.21/0.36	004	H

Case Styles



Recommended Panel Cutouts



Case Dimensions

Model Number	A max	B max	C max	D $\frac{\pm .15}{\pm .38}$	E max
AMI-M11R-7-3	3.21"/81.5mm	2.25"/57.2mm	1.53"/38.9mm	1.575"/40.01mm	0.63**/16.0*mm
AMI-M11R-7-6	3.21"/81.5mm	2.25"/57.2mm	1.78"/45.2mm	1.575"/40.01mm	0.63**/16.0*mm
AMI-M11R-7-10	4.34"/110.2mm	2.25"/57.2mm	1.78"/45.2mm	1.575"/40.01mm	0.63**/16.0*mm

Typical Insertion Loss

According to CISPR17 in 50 Ω system

— Common Mode / Asymmetrical (L-G)
 — Differential Mode / Symmetrical (L-L)

