

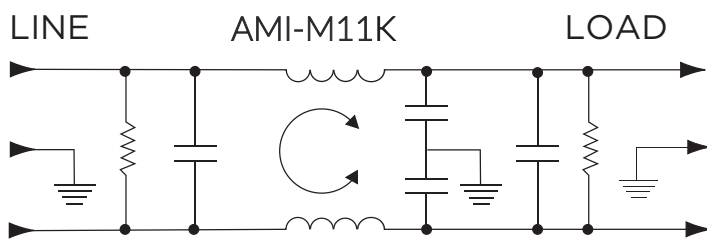
## Features

- General purpose filtering
- Choice of Earth Leakage
- Rated up to 20A
- Choice of Inserts Thread

## Applications

- Electrical and Electronic equipment
- Consumer goods
- Home appliances
- Office equipment

## Typical Circuit Diagram



## Approvals & Compliances



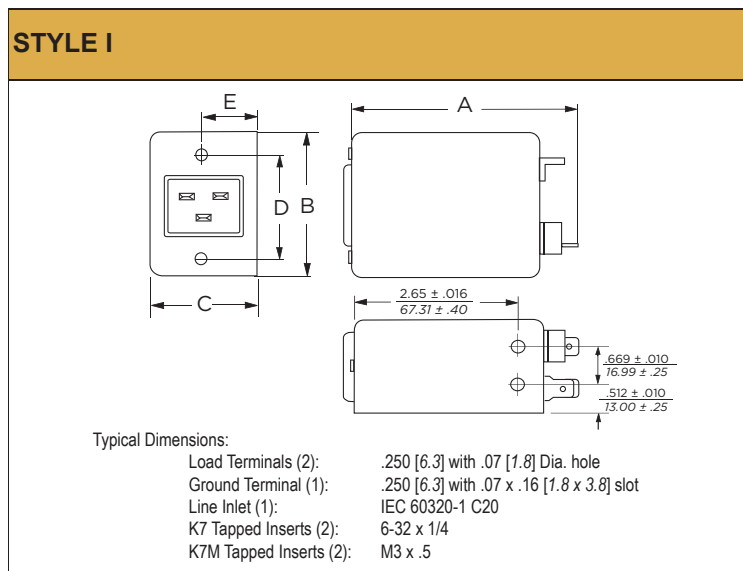
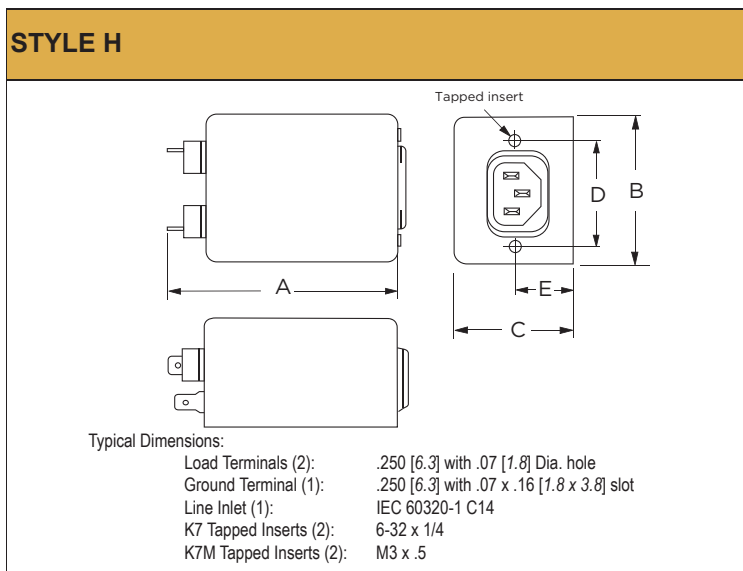
## Technical Specifications

Maximum Continuous Operating Voltage	250 VAC Max
Operating Frequency	50/60Hz
Rated Current	3 to 20A @ 40°C
Temperature range	-10°C to +40°C
High Potential Test Voltage	Line to Ground: 2250 VDC Line to Line: 1450 VDC

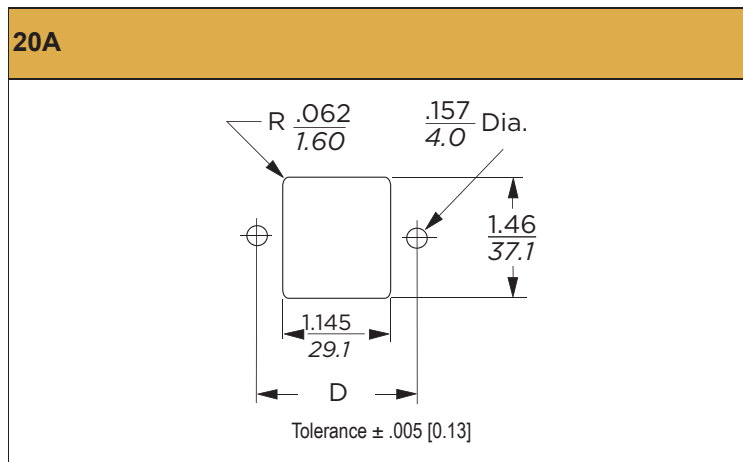
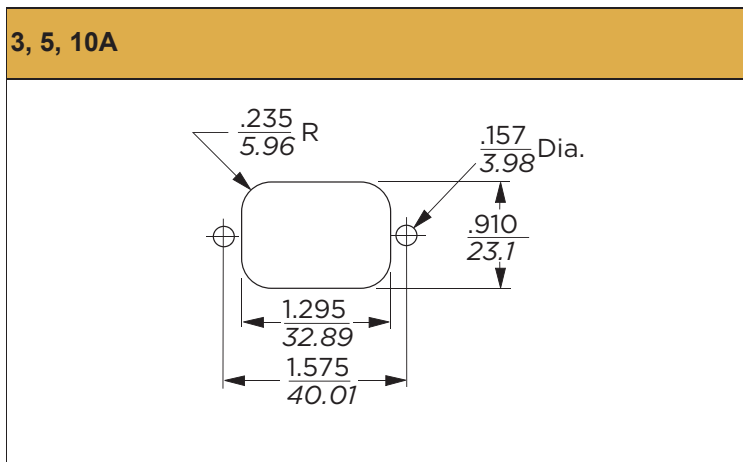
## Selection Table

AMI Designation	Input/output Style IEC Socket	Current Rating	Inductance	Capacitance		Resistor	Leakage Current@ 120VAC 60Hz/250 VAC 50 Hz	TIL Insertion Loss	Case Style
				Cx	Cy				
Available Part Numbers	IEC	A	mH	nF	pF	KO	mA		
				AMI-M11K-7-3-B-1	7		3		
AMI-M11K-7-3-B-2	7	3	1.76	200	2800	1500	0.21/0.36	001	H
AMI-M11K-7M-3-B-1	7	3	1.76	200	5500	1500	0.5/1.0	004	H
AMI-M11K-7M-3-B-2	7	3	1.76	200	2800	1500	0.21/0.36	001	H
AMI-M11K-7-5-B-1	7	5	0.516	200	5500	1500	0.5/1.0	005	H
AMI-M11K-7-5-B-2	7	5	0.516	200	2800	1500	0.21/0.36	003	H
AMI-M11K-7M-5-B-1	7	5	0.516	200	5500	1500	0.5/1.0	005	H
AMI-M11K-7M-5-B-2	7	5	0.516	200	2800	1500	0.21/0.36	003	H
AMI-M11K-7-10-B-1	7	10	0.495	200	5500	1500	0.5/1.0	006	H
AMI-M11K-7-10-B-2	7	10	0.495	200	2800	1500	0.21/0.36	002	H
AMI-M11K-7M-10-B-1	7	10	0.495	200	5500	1500	0.5/1.0	006	H
AMI-M11K-7M-10-B-2	7	10	0.495	200	2800	1500	0.21/0.36	002	H
AMI-M11K-7-20-B	7	20	0.44	200	5500	1500	0.5/1.0	007	I

## Case Styles



## Recommended Panel Cutouts



## Case Dimensions

Model Number	A max	B max	C max	D $\pm .15$ $\pm .38$	E max
AMI-M11K-7-3	3.21"/81.5mm	2.25"/57.2mm	1.28"/32.5mm	1.575"/40.01mm	0.63"/16.0mm
AMI-M11K-7M-3					
AMI-M11K-7-5					
AMI-M11K-7M-5	3.71"/94.2mm	2.25"/57.2mm	1.28"/32.5mm	1.575"/40.01mm	0.63"/16.0mm
AMI-M11K-7-10					
AMI-M11K-7M-10	3.8"/90.4mm	2.28"/54.6mm	1.78"/39.6mm	1.575"/74.63mm	.846"/85.8mm
AMI-M11K-7-20					

## Typical Insertion Loss

According to CISPR17 in 50 Ω system

— Common Mode / Asymmetrical (L-G)  
— Differential Mode / Symmetrical (L-L)

