

Selection Table

AMI Designation	Input/output Style				Current Rating	Inductance	Capacitance		Resistor	Leakage Current@ 120VAC 60Hz/250 VAC 50 Hz	TIL Insertion Loss	Case Style
							Cx	Cy				
	Available Part Numbers		6.3mm Spade Terminals	Wire Leads		PCBA	mH	nF ±20%	pF ±20%	KO		
Back	Bottom											
AMI-M11AG-1-1-B	1				1	10.0	100	3000	1500	0.22/0.38	001	A
AMI-M11AG-1A-1-B		1A			1	10.0	100	3000	1500	0.22/0.38	001	B
AMI-M11AG-13-1-B				13	1	10.0	100	3000	1500	0.22/0.38	001	C
AMI-M11AG-8-1-B			8		1	10.0	100	3000	1500	0.22/0.38	001	E
AMI-M11AG-1S-1-B	1S				1	10.0	100	3000	1500	0.22/0.38	001	D
AMI-M11AG-8S-1-B			8S		1	10.0	100	3000	1500	0.22/0.38	001	F
AMI-M11AG-1-1-A	1				1	10	100	100	1500	0.01/0.017	001	A
AMI-M11AG-1S-1-A	1S				1	10	100	100	1500	0.01/0.017	001	D
AMI-M11AG-8-1-A			8		1	10	100	100	1500	0.01/0.017	001	E
AMI-M11AG-8S-1-A			8S		1	10	100	100	1500	0.01/0.017	001	F
AMI-M11AG-1-3-B	1				3	1.45	100	3000	1500	0.22/0.38	002	A
AMI-M11AG-1A-3-B		1A		1	3	1.45	100	3000	1500	0.22/0.38	002	B
AMI-M11AG-13-3-B				13	3	1.45	100	3000	1500	0.22/0.38	002	C
AMI-M11AG-8-3-B			8		3	1.45	100	3000	1500	0.22/0.38	002	E
AMI-M11AG-1S-3-B	1S				3	1.45	100	3000	1500	0.22/0.38	002	D
AMI-M11AG-8S-3-B			8S		3	1.45	100	3000	1500	0.22/0.38	002	F
AMI-M11AG-1-3-A	1				3	1.45	100	100	1500	0.01/0.017	002	A
AMI-M11AG-1S-3-A	1S				3	1.45	100	100	1500	0.01/0.017	002	D
AMI-M11AG-8-3-A			8		3	1.45	100	100	1500	0.01/0.017	002	E
AMI-M11AG-8S-3-A			8S		3	1.45	100	100	1500	0.01/0.017	002	F

Selection Table

AMI Designation	Input/output Style				Current Rating	Inductance	Capacitance		Resistor	Leakage Current@ 120VAC 60Hz/250 VAC 50 Hz	TIL Insertion Loss	Case Style
							mH	Cx				
	Available Part Numbers	6.3mm Spade Terminals		Wire Leads		PCBA	nF ±20%	pF ±20%	mA			
Back		Bottom										
AMI-M11AG-1-6-B	1				6	0.465	100	3000	1500	0.22/0.38	003	A
AMI-M11AG-1A-6-B		1A			6	0.465	100	3000	1500	0.22/0.38	003	B
AMI-M11AG-13-6-B				13	6	0.465	100	3000	1500	0.22/0.38	003	C
AMI-M11AG-8-6-B			8		6	0.465	100	3000	1500	0.22/0.38	003	E
AMI-M11AG-1S-6-B	1				6	0.465	100	3000	1500	0.22/0.38	003	D
AMI-M11AG-8S-6-B			8		6	0.465	100	3000	1500	0.22/0.38	003	F
AMI-M11AG-1-6-A	1				6	0.465	100	100	1000	0.01/0.017	003	A
AMI-M11AG-1S-6-A	1S				6	0.465	100	100	1500	0.01/0.017	003	D
AMI-M11AG-8-6-A			8		6	0.465	100	100	1500	0.01/0.017	003	E
AMI-M11AG-8S-6-A			8S		6	0.465	100	100	1500	0.01/0.017	003	F
AMI-M11AG-8-10-B			8		10	0.35	100	3000	1500	0.22/0.38	004	E
AMI-M11AG-15-10-B	1				10	0.35	100	3000	1500	0.22/0.38	004	D
AMI-M11AG-8S-10-B			8S		10	0.35	100	3000	1500	0.22/0.38	004	F
AMI-M11AG-1-10-B	1				10	0.35	100	3000	1500	0.22/0.38	004	A
AMI-M11AG-1A-10-B		1A			10	0.35	100	3000	1500	0.22/0.38	004	B
AMI-M11AG-13-10-B				13	10	0.35	100	3000	1500	0.22/0.38	004	C
AMI-M11AG-1-10-A	1				10	0.35	100	100	1000	0.01/0.017	004	A
AMI-M11AG-1S-10-A	1S				10	0.35	100	100	1500	0.01/0.017	004	D
AMI-M11AG-8-10-A			8		10	0.35	100	100	1500	0.01/0.017	004	E
AMI-M11AG-8S-10-A			8S		10	0.35	100	100	1000	0.01/0.017	004	F

Selection Table

AMI Designation	Input/output Style				Current Rating	Inductance	Capacitance		Resistor	Leakage Current@ 120VAC 60Hz/250 VAC 50 Hz	TIL Insertion Loss	Case Style
							mH	Cx				
	Available Part Numbers	6.3mm Spade Terminals		Wire Leads		PCBA			nF ±20%	pF ±20%		
Back		Bottom										
AMI-M11AG-1-15-B	1				15	0.086	100	3000	1500	0.22/0.38	005	A
AMI-M11AG-1A-15-B		1A			15	0.086	100	3000	1500	0.22/0.38	005	B
AMI-M11AG-13-15-B				13	15	0.086	100	3000	1500	0.22/0.38	005	C
AMI-M11AG-8-15-B			8		15	0.086	100	3000	1500	0.22/0.38	005	E
AMI-M11AG-15-15-B	1				15	0.086	100	3000	1500	0.22/0.38	005	D
AMI-M11AG-8S-15-B			8S		15	0.086	100	3000	1500	0.22/0.38	005	F
AMI-M11AG-1-15-A	1				15	0.086	100	100	1500	0.01/0.017	005	A
AMI-M11AG-1S-15-A	1S				15	0.086	100	100	1500	0.01/0.017	005	D
AMI-M11AG-8-15-A			8		15	0.086	100	100	1500	0.01/0.017	005	E
AMI-M11AG-8S-15-A			8S		15	0.086	100	100	1500	0.01/0.017	005	F
AMI-M11AG-1-20-B	1				20	0.306	100	2800	1000	0.22/0.38	006	G
AMI-M11AG-8-20-B			8		20	0.306	100	2800	1000	0.22/0.38	006	I
AMI-M11AG-1S-20-B	1S				20	0.306	100	3000	1500	0.22/0.38	006	H
AMI-M11AG-8S-20-B			8S		20	0.306	100	3000	1500	0.22/0.38	006	J
*AMI-M11AH-1-1-A	1				1	10.0	100	none	1500	.002/.005	007	A
*AMI-M11AH-1A-1-A		1A			1	10.0	100	none	1500	.002/.005	007	B
*AMI-M11AH-13-1-A				13	1	10.0	100	none	1500	.002/.005	007	C
*AMI-M11AH-8-1-A			8		1	10.0	100	none	1500	.002/.005	007	E
*AMI-M11AH-1S-1-A	1				1	10.0	100	none	1500	.002/.005	007	D
*AMI-M11AH-8S-1-A			8S		1	10.0	100	none	1500	.002/.005	007	F

Selection Table

AMI Designation	Input/output Style				Current Rating	Inductance	Capacitance		Resistor	Leakage Current@ 120VAC 60Hz/250 VAC 50 Hz	TIL Insertion Loss	Case Style
							mH	Cx				
	Available Part Numbers	6.3mm Spade Terminals		Wire Leads		PCBA	nF ±20%	pF ±20%	mA			
Back		Bottom										
*AMI-M11AH-1-3-A	1				3	1.45	100	none	1500	.002/.005	008	A
*AMI-M11AH-1A-3-A		1A			3	1.45	100	none	1500	.002/.005	008	B
*AMI-M11AH-13-3-A				13	3	1.45	100	none	1500	.002/.005	008	C
*AMI-M11AH-8-3-A			8		3	1.45	100	none	1500	.002/.005	008	E
*AMI-M11AH-1S-3-A	1S				3	1.45	100	none	1500	.002/.005	008	D
*AMI-M11AH-8S-3-A			8		3	1.45	100	none	1500	.002/.005	008	F
*AMI-M11AH-1-6-A	1				6	0.465	100	none	1500	.002/.005	009	A
*AMI-M11AH-1A-6-A		1A			6	0.465	100	none	1500	.002/.005	009	B
*AMI-M11AH-13-6-A				13	6	0.465	100	none	1500	.002/.005	009	C
*AMI-M11AH-8-6-A			8		6	0.465	100	none	1500	.002/.005	009	E
*AMI-M11AH-1S-6-A	1S				6	0.465	100	none	1500	.002/.005	009	D
*AMI-M11AH-8S-6-A			8		6	0.35	100	none	1500	.002/.005	009	F
*AMI-M11AH-1S-10-A	1S				10	0.35	100	none	1500	.002/.005	010	D
*AMI-M11AH-8S-10-A			8S		10	0.35	100	none	1500	.002/.005	010	F
*AMI-M11AH-1-10-A	1				10	0.35	100	none	1500	.002/.005	010	A
*AMI-M11AH-1A-10-A		1A			10	0.35	100	none	1500	.002/.005	010	B
*AMI-M11AH-13-10-A				13	10	0.35	100	none	1500	.002/.005	010	C
*AMI-M11AH-8-10-A			8		10	0.35	100	none	1500	.002/.005	010	E
*AMI-M11AH-1-15-A	1				15	0.086	100	none	1000	.002/.005	011	A
*AMI-M11AH-1A-15-A		1A			15	0.086	100	none	1000	.002/.005	011	B
*AMI-M11AH-13-15-A				13	15	0.086	100	none	1500	.002/.005	011	C

Selection Table

AMI Designation	Input/output Style			Current Rating	Inductance	Capacitance		Resistor	Leakage Current@ 120VAC 60Hz/250 VAC 50 Hz	TIL Insertion Loss	Case Style	
						mH	Cx					Cy
Available Part Numbers	6.3mm Spade Terminals		Wire Leads	PCBA			nF ±20%	pF ±20%		mA		
	Back	Bottom										
*AMI-M11AH-8-15-A			8		15	0.086	100	none	1500	.002/.005	011	E
*AMI-M11AH-1S-15-A	1S				15	0.086	100	3000	1500	.002/.005	011	D
*AMI-M11AH-8S-15-A			8S		15	0.086	100	3000	1500	.002/.005	011	F
*AMI-M11AH-1-20-A	1				20	0.306	100	none	1500	.002/.005	012	G
*AMI-M11AH-8-20-A			8		20	0.306	100	none	1500	.002/.005	012	I

*UL/TUV Pending

Case Styles

STYLE A

Typical Dimensions:

- Mounting holes (2): .132 [3.35] Dia. with .236 [5.99] Dia. x 90° countersink for #4 flathead screw
- Line Inlet (1): IEC 60320-1 C14
- Load Terminals (2): .250 [6.3] with .07 [1.8] Dia. hole
- Ground Terminal (1): .250 [6.3] with .07 x .16 [1.8 x 3.8] slot

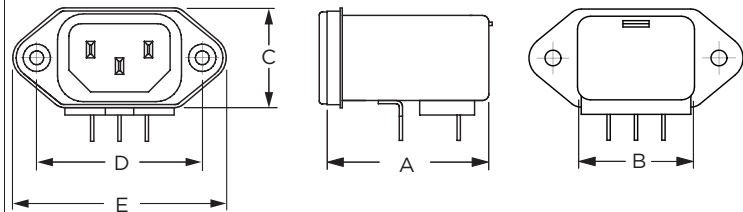
STYLE B

Typical Dimensions:

- Mounting holes (2): .132 [3.35] Dia. with .236 [5.99] Dia. x 90° countersink for #4 flathead screw
- Line Inlet (1): IEC 60320-1 C14
- Load Terminals (2): .250 [6.3] with .07 [1.8] Dia. hole
- Ground Terminal (1): .250 [6.3] with .07 x .16 [1.8 x 3.8] slot

Case Styles

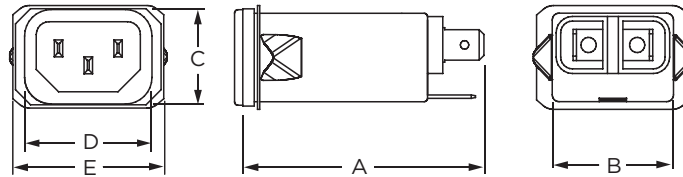
STYLE C



Typical Dimensions:

Mounting holes (2):	.132 [3.35] Dia. with .236 [5.99] Dia. x 90° countersink for #4 flathead screw
Line Inlet (1):	IEC 60320-1 C14
PC board pins (3):	.031 [.07] square, ± .003 [.07]

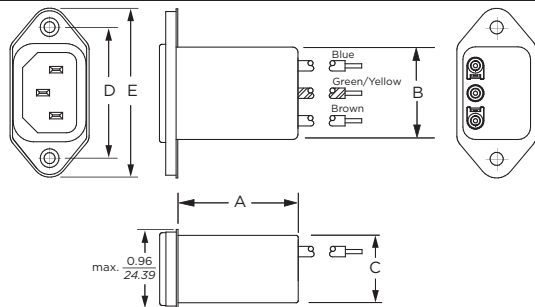
STYLE D



Typical Dimensions:

Line Inlet (1):	IEC 60320-1 C14
Load Terminals (2):	.250 [6.3] with .07 [1.8] Dia. hole
Ground Terminal (1):	.250 [6.3] with .07 x .16 [1.8 x 3.8] slot

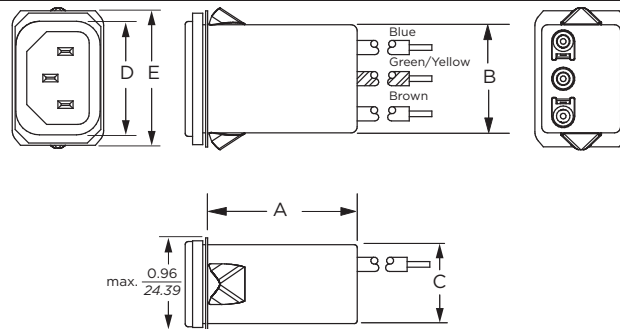
STYLE E



Typical Dimensions:

Mounting holes (2):	.132 [3.35] Dia. with .236 [5.99] Dia. x 90° countersink for #4 flathead screw
Line Inlet (1):	IEC 60320-1 C14
Wire Leads:	4.0 [101.6] Min., 18AWG, UL1015

STYLE F



Typical Dimensions:

Line Inlet (1):	IEC 60320-1 C14
Wire Leads:	4.0 [101.6] Min., 18AWG, UL1015

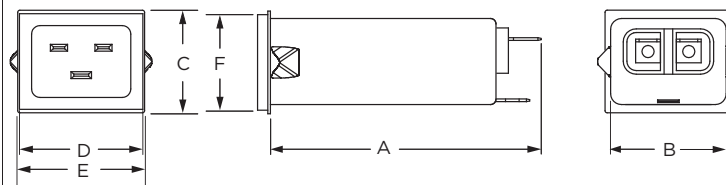
STYLE G



Typical Dimensions:

Mounting holes (2):	.132 [3.35] Dia. with .236 [5.99] Dia. x 90° countersink for #4 flathead screw
Line Inlet (1):	IEC 60320-1 C20
Load Terminals (2):	.250 [6.3] with .07 [1.8] Dia. hole
Ground Terminal (1):	.250 [6.3] with .07 x .16 [1.8 x 3.8] slot

STYLE H



Typical Dimensions:

Line Inlet (1):	IEC 60320-1 C20
Load Terminals (2):	.250 [6.3] with .07 [1.8] Dia. hole
Ground Terminal (1):	.250 [6.3] with .07 x .16 [1.8 x 3.8] slot

Case Styles

STYLE I

Typical Dimensions:

Mounting holes (2):	.132 [3.35] Dia. with .236 [5.99] Dia. x 90° countersink for #4 flathead screw
Line Inlet (1):	IEC 60320-1 C20
Wire Leads:	4.0 [101.6] Min., 14AWG, UL1015

STYLE J

Typical Dimensions:

Line Inlet (1):	IEC 60320-1 C20
Wire Leads:	4.0 [101.6] Min., 14AWG, UL1015

Recommended Panel Cutouts

1-15A

Front Mount

Back Mount

Tolerances ± .005 [0.13] unless otherwise noted

20A

Front Mount

Back Mount

Tolerances ± .005 [0.13] unless otherwise noted

1-15A Snap-in Mount Models

Tolerance ± .002 [0.050]

Front Mount only

Panel Thickness	G Dim. ± .002 [0.05]
0.031 - 0.052 [0.79 - 1.32]	1.260 [32.00]
0.046 - 0.068 [1.17 - 1.73]	1.350 [34.29]

Alternate snap configurations to fit other cut-out sizes also available.

Case Dimensions

Model Number	Amax	B max	C max	D $\begin{smallmatrix} \pm .015 \\ \pm .38 \end{smallmatrix}$	E max	F(ref)
AMI-M11AG-1-X-B	2.15"/54.61mm	1.13"/28.70mm	0.96"124.38mm	1.58"/40.00mm	2.04"/51.76mm	
AMI-M11AG-1A-1-B	1.54"/39.12mm	1.13"/28.70mm	0.96"124.38mm	1.58"/40.00mm	2.04"/51.76mm	
AMI-M11AG-1A-3-B						
AMI-M11AG-1A-6-B						
AMI-M11AG-1A-10-B						
AMI-M11AG-1A-15-B	1.79"/45.47mm	1.13"/28.70mm	0.96"124.38mm	1.58"/40.00mm	2.04"/51.76mm	
AMI-M11AG-13-1-B	1.54"/39.12mm	1.13"/28.70mm	0.96"124.38mm	1.58"/40.00mm	2.04"/51.76mm	
AMI-M11AG-13-3-B						
AMI-M11AG-13-6-B						
AMI-M11AG-13-10-B						
AMI-M11AG-13-15-B	1.79"/45.47mm	1.13"/28.70mm	0.96"124.38mm	1.58"/40.00mm	2.04"/51.76mm	
AMI-M11AG-1A-X-B	2.20"/55.88mm	1.13"/28.70mm	0.96"124.38mm	1.19"/30.10mm	1.41"/35.81mm	
AMI-M11AG-8-X-B	1.54"/39.12mm	1.13"/28.70mm	0.81"/20.70mm	1.58"/40.00mm	2.04"/51.76mm	
AMI-M11AG-8S-X-B	1.54"/39.12mm	1.13"/28.70mm	0.81"/20.70mm	1.19"/30.10mm	1.41"/35.81mm	
AMI-M11AG-1-20-B	3.13"/79.38mm	1.3T"/34.79mm	1.18"/29.99mm	1.65"/42.01mm	2.09"/53.00mm	
AMI-M11AG-1S-20-B	3.13"/79.38mm	1.35"134.29mm	1.18"/29.99mm	1.42"136.07mm	1.46"137.08mm	
AMI-M11AG-8-20-B	2.65"/67.31mm	1.35"134.29mm	1.18"/29.99mm	1.65"/42.01mm	2.09"/53.00mm	0.62"/15.75mm
AMI-M11AG-8S-20-B	2.63"/66.80mm	1.35"134.29mm	1.18"/29.99mm	1.46"/37.08mm	1.42"/36.08mm	0.62"/15.75mm

Case Dimensions

Model Number	A max	B max	C max	D $\begin{smallmatrix} \pm .015 \\ \pm .38 \end{smallmatrix}$	E max	F(ref)
AMI-M11AH-1-1-A AMI-M11AH-1-3-A AMI-M11AH-1-6-A AMI-M11AH-1-10-A AMI-M11AH-1-15-A	2.15"/54.61mm	1.13"/28.70mm	0.96"/24.38mm	1.58"/40.00mm	2.04"/51.76mm	
AMI-M11AH-1A-1-A AMI-M11AH-1A-3-A AMI-M11AH-1A-6-A AMI-M11AH-1A-10-A	1.54"/39.12mm	1.13"/28.70mm	0.96"/24.38mm	1.58"/40.00mm	2.04"/51.76mm	
AMI-M11AH-1A-15-A	1.79"/45.47mm	1.13"/28.70mm	0.96"/24.38mm	1.58"/40.00mm	2.04"/51.76mm	
AMI-M11AH-13-1-A AMI-M11AH-13-3-A AMI-M11AH-13-6-A AMI-M11AH-13-10-A	1.54"/39.12mm	1.13"/28.70mm	0.96"/24.38mm	1.58"/40.00mm	2.04"/51.76mm	
AMI-M11AH-13-15-A	1.79"/45.47mm	1.13"/28.70mm	0.96"/24.38mm	1.58"/40.00mm	2.04"/51.76mm	
AMI-M11AH-1S-1-A AMI-M11AH-1S-3-A AMI-M11AH-1S-6-A AMI-M11AH-1S-10-A AMI-M11AH-1S-15-A	2.20"/55.88mm	1.13"/28.70mm	0.96"/24.38mm	1.19"/30.10mm	1.41"/35.81mm	
AMI-M11AH-8-1-A AMI-M11AH-8-3-A AMI-M11AH-8-6-A AMI-M11AH-8-10-A AMI-M11AH-8-15-A	1.54"/39.12mm	1.13"/28.70mm	0.81"/20.70mm	1.58"/40.00mm	2.04"/51.76mm	
AMI-M11AG-8S-1-B AMI-M11AG-8S-3-B AMI-M11AG-8S-6-B AMI-M11AG-8S-10-B AMI-M11AG-8S-15-B	1.54"/39.12mm	1.13"/28.70mm	0.81"/20.70mm	1.19"/30.10mm	1.41"/35.81mm	
AMI-M11AH-1-20-A	3.13"/79.38mm	1.37"/34.79mm	1.18"/29.99mm	1.65"/42.01mm	2.09"/53.00mm	
AMI-M11AH-8-20-A	2.65"/67.31mm	1.35"/34.29mm	1.18"/29.99mm	1.65"/42.01mm	2.09"/53.00mm	0.62"/15.75mm

Typical Insertion Loss

According to CISPR17 in 50 Ω system

— Common Mode / Asymmetrical (L-G)
— Differential Mode / Symmetrical (L-L)

