

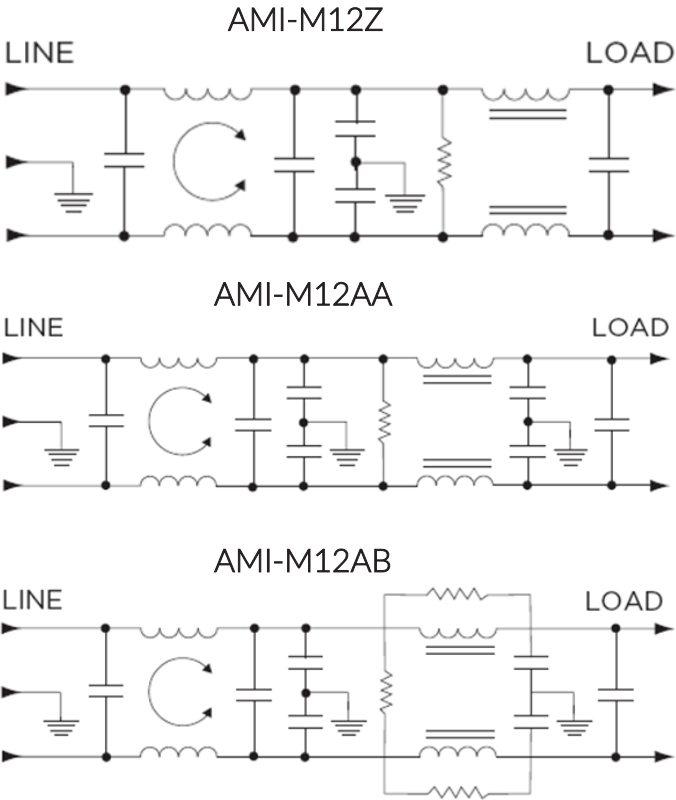
Features

- General purpose filtering
- High CM & DM attenuation
- Rated up to 20A
- Choice of termination

Applications

- Electrical and Electronic equipment
- Consumer goods
- Home appliances
- Office equipment

Typical Circuit Diagram



Approvals & Compliances



Technical Specifications

Maximum Continuous Operating Voltage	250 VAC Max
Operating Frequency	50/60Hz
Rated Current	3 to 20A @40°C
Temperature range	-10°C to +40°C
High Potential Test Voltage	Line to Ground: 2250 VDC Line to Line: 1450 VDC

Selection Table

AMI Designation	Input/output Style				Current Rating	Inductance	Capacitance		Resistor	Leakage Current @ 120 VAC 60Hz/250 VAC 50 Hz	TIL Insertion Loss	Case Style
							Cx	Cy				
Available Part Numbers	IEC Socket	Terminal Blocks	6.3mm Spade Terminals	Wire Leads	A	mH	nF	pF	KΩ	mA		
							AMI-M12Z-1-3-B	-				
AMI-M12Z-1-6-B	-	-	1	-	6	1.8	813	5500	330	0.5/0.8	002	A
AMI-M12Z-1-10-B	-	-	1	-	10	1.2	813	5500	330	0.5/0.8	003	A
AMI-M12Z-1-20-B	-	-	1	-	20	1.8	1010	5500	330	0.5/0.8	004	B
AMI-M12Z-6-20-B	-	-	-	6	20	1.8	1010	5500	330	0.5/0.8	004	C
AMI-M12AA-1-3-B	-	-	1	-	3	1.03	813	6400	330	0.5/0.8	005	B
AMI-M12AA-1-6-B	-	-	1	-	6	1.83	813	6400	330	0.5/0.8	006	A
AMI-M12AA-1-10-B	-	-	1	-	10	1.2	813	6400	330	0.5/0.8	007	A
AMI-M12AA-6-20-B	-	-	-	6	20	.981	1330	6600	1000	0.5/1.0	008	C
AMI-M12AA-10-20-B	-	10	-	-	20	.981	1330	6600	1000	0.5/1.0	008	C
AMI-M12AB-1-20-B	-	-	1	-	20	1.76	1010	6400	330	0.5/0.8	008	B
AMI-M12AB-6-20-B	-	-	-	6	20	1.76	1010	6400	330	0.5/0.8	008	C
AMI-M12AB-7-20-B	7	-	-	-	20	1.76	1010	6400	330	0.5/0.8	008	D

Case Styles

STYLE A

Typical Dimensions:

- Line/Load Terminals (4): .250 [6.3] with .07 [1.8] Dia. hole
- Ground Terminal (1): .250 [6.3] with .07 x .16 [1.8 x 3.8] slot
- Mounting Holes (2): .188 [4.78] Dia.

STYLE B

Typical Dimensions:

- Line/Load Terminals (4): .250 [6.3] with .07 [1.8] Dia. hole
- Ground Terminal (1): .250 [6.3] with .07 x .16 [1.8 x 3.8] slot
- Mounting Slots (4): .250 x .156 [6.35 x 3.96] Dia.

STYLE C

Typical Dimensions:

- Terminals (5): 8-32, Torque 18 lbf-in. [2.03 N-m] max. ± 2 [22]
- Mounting Slots (4): .250 x .156 [6.35 x 3.96] Dia.

STYLE D

Typical Dimensions:

- Load Terminals (2): .250 [6.3] with .07 [1.8] Dia. hole
- Ground Terminal (1): .250 [6.3] with .07 x .16 [1.8 x 3.8] slot
- Line Inlet (1): IEC 60320-1 C20
- Tapped Inserts (2): 6-32 x 1/4

Mechanical Dimensions:

Model Number	A max	B max	C max	D ^{+ .15} _{± .38}	E max
AMI-M12Z-1-3 AMI-12AA-1-3	3.36"/85.3mm	1.82"/46.2mm	1.28"/32.5mm	2.375"/60.3mm	2.78"/70.6mm
AMI-M12Z-1-6 AMI-12AA-1-6	3.86"/98.0mm	2.08"/52.8mm	1.53"/38.9mm	2.938"/74.63mm	3.34"/84.8mm
AMI-M12Z-1-10 AMI-12AA-1-10	3.86"/98.0mm	2.08"/52.8mm	1.53"/38.9mm	2.938"/74.63mm	3.34"/84.8mm
AMI-M12Z-1-20 AMI-12AB-1-20	5.23"/132.8mm	3.38"/85.9mm	1.53"/38.9mm	3.75"/95.25mm	4.20"/106.7mm
AMI-M12Z-6-20 AMI-12AB-6-20	5.34"/135.6mm	3.38"/85.9mm	1.53"/38.9mm	3.75"/95.25mm	4.20"/106.7mm
M12AA-6-20	5.34"/135.6mm	3.38"/85.9mm	1.53"/38.9mm	3.76"/95.5mm	4.20"/106.7mm
M12AB-7-20	5.65"/143.51mm	3.12"/79.25mm	2.29"/58.17mm	-	-

Typical Insertion Loss

According to CISPR17 in 50 Ω system

— Common Mode / Asymmetrical (L-G)
 — Differential Mode / Symmetrical (L-L)

