

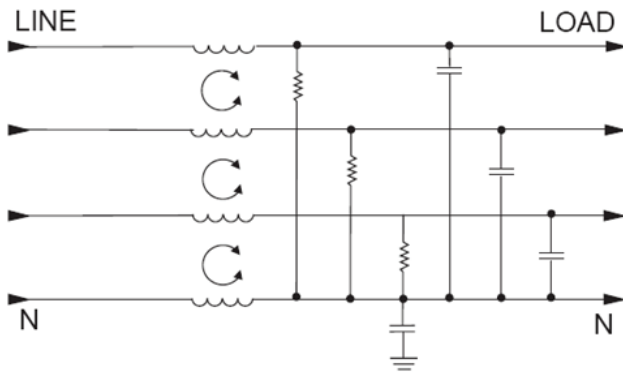
Features

- Space Saving Design
- Low Earth Leakage Current
- Rated up to 20A
- Suitable for Star & Delta Power Networks.

Applications

- Entry Level 3 Phase Filters
- Any Low Power Energy Inverter
- Medical equipment
- Office equipment

Typical Circuit Diagram



Approvals & Compliances



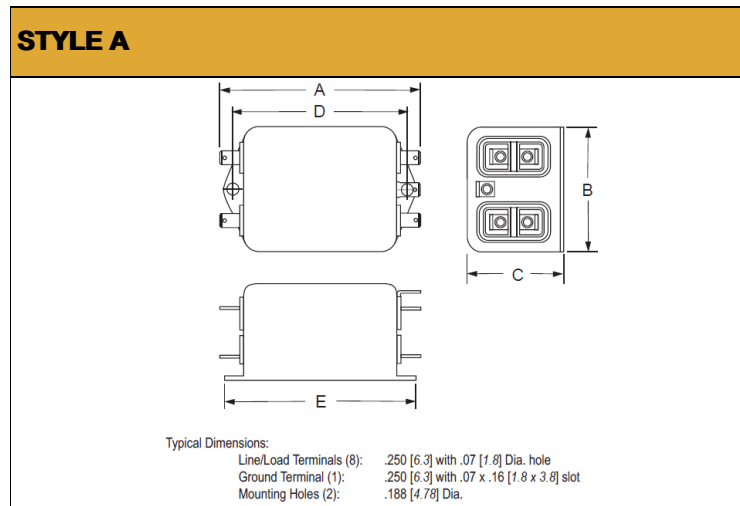
Technical Specifications

Maximum Continuous Operating Voltage	440/250 VAC
Operating Frequency	50/60Hz
Rated Current	3 to 20A @40°C
Temperature range	-10°C to +40°C
High Potential Test Voltage	Line to Ground: 1500 VAC Line to Line: 1450VDC

Selection Table

AMI Designation	Input/ Output Style	Current Rating	Inductance mH	Capacitance		Resistor K Ω	Leakage Current @ 120 VAC 60Hz/250 VAC 50Hz	TIL Insertion Loss	Case Style
			L mH	Cx nF	Cy pF				
Available Part Numbers	6.3mm Spade Terminals								
AMI-M31NC-1-3-D	1	3	1.0	100	15000	1500	2.0/3.0	001	A
AMI-M31NC-1-6-D	1	6	.45	100	15000	1500	2.0/3.0	002	A
AMI-M31NC-1-10-D	1	10	.20	100	15000	1500	2.0/3.0	003	A
AMI-M31NC-1-20-D	1	20	.137	100	15000	1500	3.5/5.5	004	A

Case Styles



Case Dimensions:

Model Number	A max	B max	C max	D $\begin{smallmatrix} \pm .15 \\ \pm .38 \end{smallmatrix}$	E max
AMI-M31NC Series	3.37"/85.6mm	2.07"/52.5mm	1.53"/38.7mm	2.938"/74.63mm	3.35"/85.1mm

Typical Insertion Loss

According to CISPR17 in 50 Ω system

— Common Mode / Asymmetrical (L-G)
— Differential Mode / Symmetrical (L-L)

