

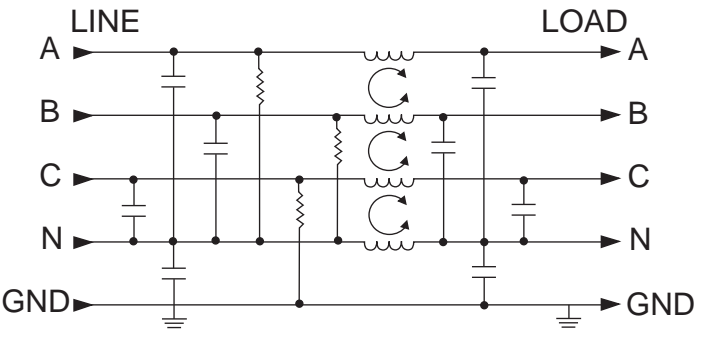
Features

- Compact Design
- Rated up to 180A
- Low Earth Leakage
- Touch Safe Terminal Blocks

Applications

- Automation & Control
- Renewable Energy
- Machinery/ Machine Tools
- Whole Cabinet Filtering

Typical Circuit Diagram



Approvals & Compliances



Technical Specifications

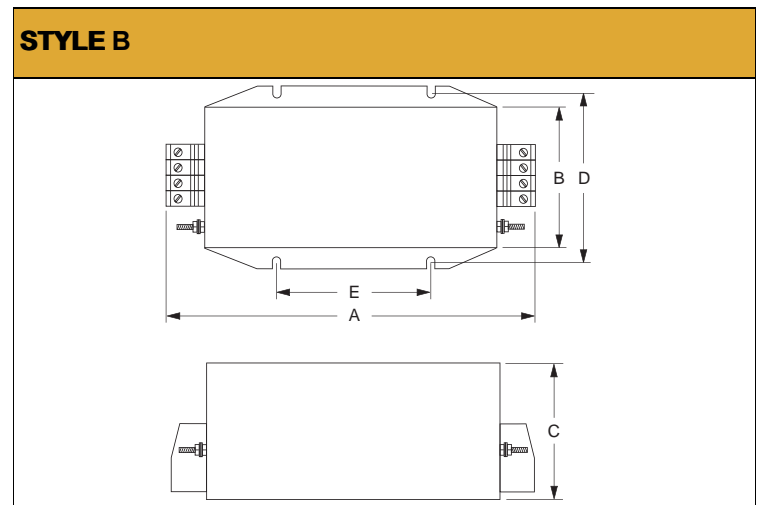
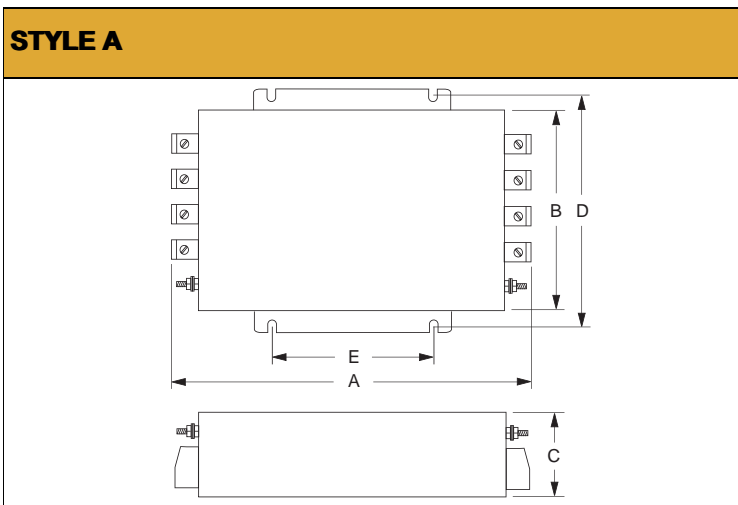
Maximum Continuous Operating Voltage	480VAC/277VAC
Operating Frequency	50/60Hz
Rated Current	16 to 180A @40°C
Temperature range	-10°C to +40°C
High Potential Test Voltage	Line to Ground: 1850 VAC Line to Line: 1850 VDC Line to Neutral: 1450 VDC

Selection Table

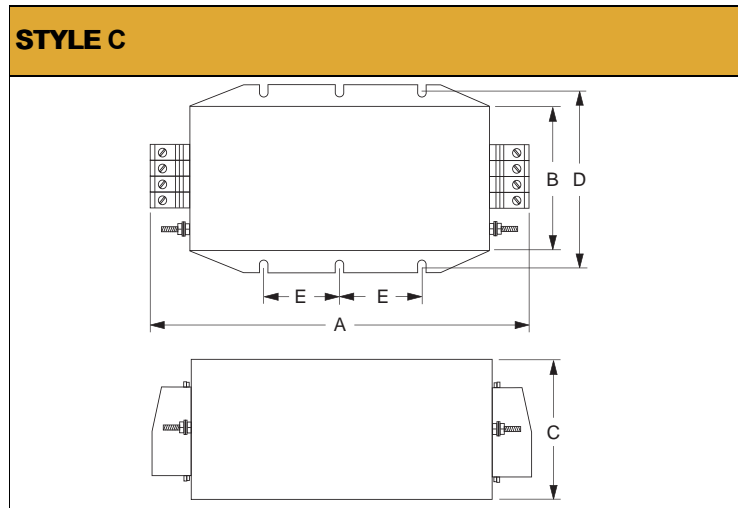
AMI Designation	Input/output Style	Current Rating	Inductance	Capacitance		Resistor	Max Leakage Current @ 120 VAC 60Hz/277 VAC 50Hz	TIL Insertion Loss	Case Style
				Cx	Cy				
Available Part Numbers	Threaded Bolts	A	mH	nF	pF	K Ω	mA		
AMI-M31NB-10-25-E	10	25	3.96	6600	2000000	330	68/118	001	A
AMI-M31NB-10-63-E	10	63	1.0	8800	2000000	330	84/142	002	A
AMI-M31NB-10-80-E	10	80	0.83	8800	163000	330	93.6/162.6	003	B
AMI-M31NB-10-110-E	10	110	0.53	8800	1630000	330	93.6/162.6	004	B
AMI-M31NB-10-150-E	10	150	0.53	11000	2010000	330	93.6/162.6	005	B
AMI-M31NB-10-180-E	10	180	0.35	13200	3000000	330	111/192	006	C

*95mm Terminal Block available only on 150A

Case Styles



Case Styles



Case Dimensions:

Model Number	A max	B max	C max	D $\pm_{-0.15}^{+0.38}$	E max
AMI-M31NB-10-25-E	9.96"/246mm	5.08"/129.0mm	2.52"/64.0mm	5.71"/145.0mm	4.53"/115mm
AMI-M31NB-10-63-E	10.98"/279mm	5.08"/129mm	2.95"/75mm	5.71"/145mm	4.53"/115mm
AMI-M31NB-10-80-E	12.09"/307mm	5.55"/141mm	5.55"/141mm	6.10"/155mm	4.53"/115mm
AMI-M31NB-10-110-E					
AMI-M31NB-10-150-E					
AMI-M31NB-10-180-E	15.71"/399.0mm	5.55"/141.0mm	5.55"/141.0mm	6.10"/155.0mm	3.25"/82.5mm

*95mm Terminal Block available only on 150A

Typical Insertion Loss

According to CISPR17 in 50 Ω system

— Common Mode / Asymmetrical (L-G)
— Differential Mode / Symmetrical (L-L)

