

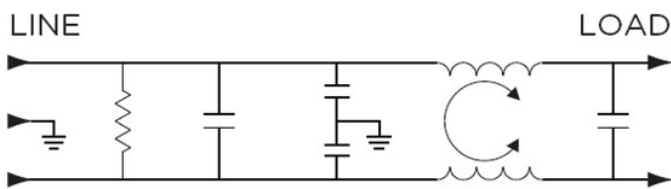
Features

- General purpose filtering
- High Common Mode Inductance
- Rated up to 20A
- Cy Capacitors on the Line side

Applications

- Electrical and Electronic equipment
- Consumer goods
- Home appliances
- Office equipment

Typical Circuit Diagram



Approvals & Compliances



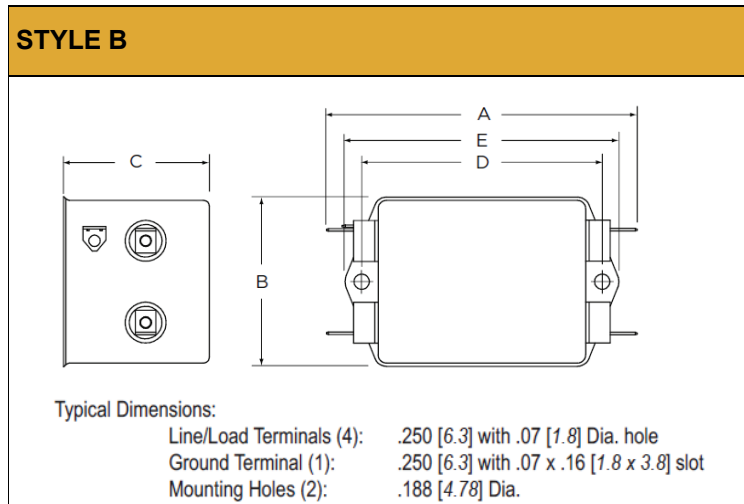
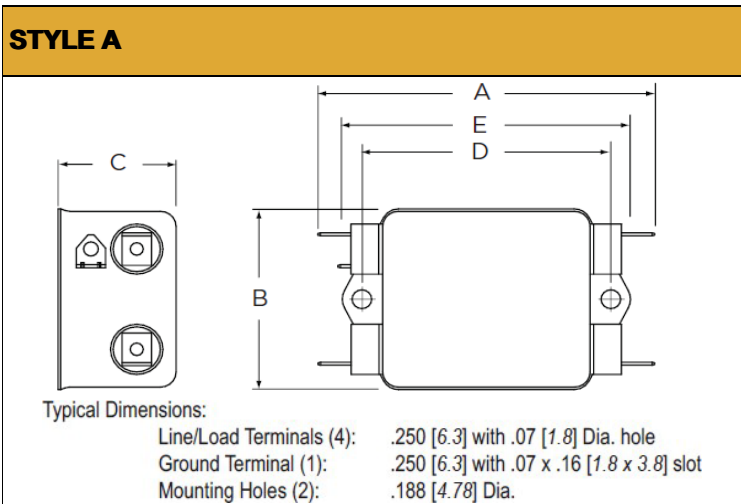
Technical Specifications

Maximum Continuous Operating Voltage	250 VAC Max
Operating Frequency	50/60Hz
Rated Current	3 to 20A @40°C
Temperature range	-10°C to +40°C
High Potential Test Voltage	Line to Ground: 2250 VDC Line to Line: 1450 VDC

Selection Table

AMI Designation	Input/output Style	Current Rating	Inductance mH	Capacitance		Resistor	Leakage Current @ 120 VAC 60Hz/250 VAC 50 Hz	TIL Insertion Loss	Case Style
				Cx	Cy				
Available Part Numbers	6.3mm Spade Terminals	A	L	nF	pF	KΩ	mA		
AMI-M11N-1-3-B	1	3	7.0	741	2200	470	0.16/0.26	001	A
AMI-M11N-1-6-B	1	6	5.1	741	2200	470	0.16/0.26	002	A
AMI-M11N-1-10-B	1	10	4.97	741	2200	470	0.16/0.26	003	B
AMI-M11N-1-15-B	1	15	5.04	741	2200	470	0.16/0.26	004	B
AMI-M11N-1-20-B	1	20	4.55	741	2200	470	0.16/0.26	005	B

Case Styles



Case Dimensions:

Model Number	A max	B max	C max	D $\pm .15$ $\pm .38$	E max
AMI-M11N-1-3	3.35"/85.09mm	1.82"/46.2mm	1.16"/29.46mm	2.38"/74.68mm	2.78"/70.61mm
AMI-M11N-1-6	3.35"/85.09mm	1.82"/46.2mm	1.28"/32.51mm	2.38"/74.68mm	2.78"/70.61mm
AMI-M11N-1-10 AMI-M11N-1-15 AMI-M11N-1-20	3.85"/97.79mm	2.07"/52.58mm	1.78"/45.21mm	2.94"/74.67mm	3.35"/85.09mm

Typical Insertion Loss

According to CISPR17 in 50 Ω system

— Common Mode / Asymmetrical (L-G)
— Differential Mode / Symmetrical (L-L)

