

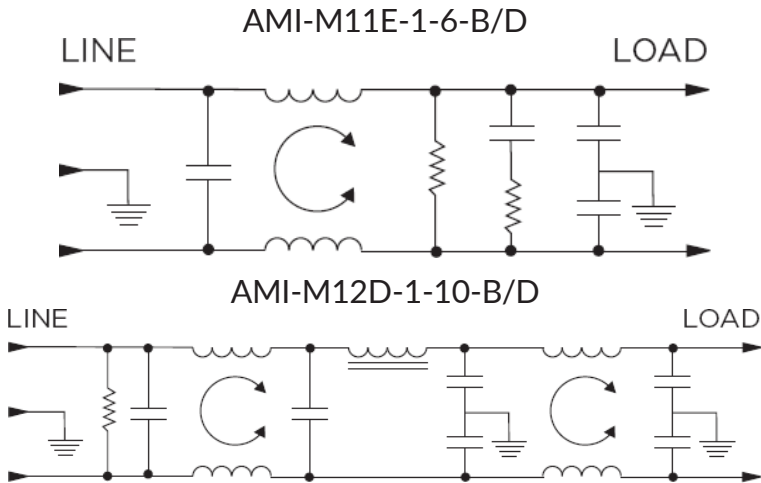
### Features

- High DM & CM attenuation
- Choice of Earth Leakage
- Rated up to 10A
- M12D offers 3 stage filtering

### Applications

- Electrical and Electronic equipment
- Consumer goods
- Home appliances
- Office equipment

### Typical Circuit Diagram



### Approvals & Compliances



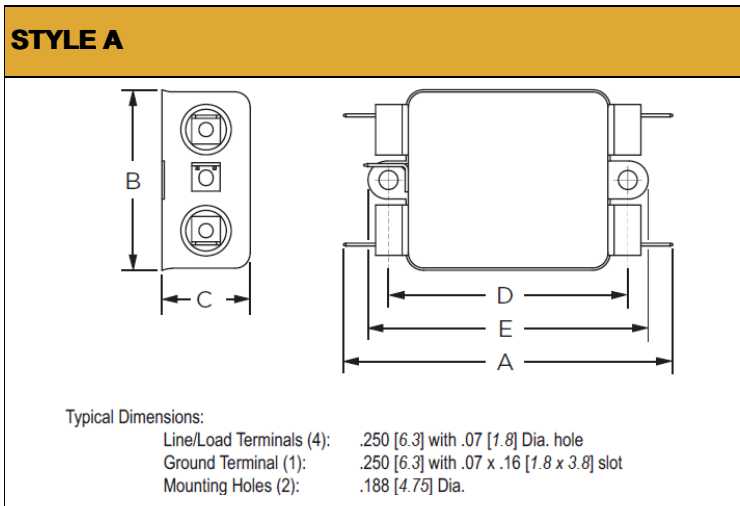
### Technical Specifications

Maximum Continuous Operating Voltage	250 VAC Max
Operating Frequency	50/60Hz
Rated Current	Upto 10A @40°C
Temperature range	6A & 10A models @40°C
High Potential Test Voltage	Line to Ground: 2250 VDC Line to Line: 1450 VDC

## Selection Table

AMI Designation	Input/output Style	Current Rating	Inductance mH		Capacitance		Resistor KΩ	Leakage Current @ 120 VAC 60Hz/250 VAC 50 Hz mA	TIL Insertion Loss	Case Style
			L	N	Cx	Cy				
Available Part Numbers	6.3mm Spade Terminals		mH	mH	nF	pF				
AMI-M11E-1-6-B	1	6	4.6	4.6	570	4000	560	0.3/0.5	001	A
AMI-M11E-1-6-D-1	1	6	3.45	3.45	570	15000	560	1.2/2.0	002	A
AMI-M12D-1-10-B	1	10	7.83	7.866	740	4000	330	0.3/0.5	003	A
AMI-M11E-1-6-D-2	1	6	4.47	4.47	950	15000	330	1.2/2.0	005	A
AMI-M12D-1-10-D-1	1	10	7.178	7.142	740	15000	330	1.2/2.0	004	A
AMI-M12D-1-10-D-2	1	10	7.83	7.89	1150	15000	270	1.2/2.0	006	A

## Case Styles



## Case Dimensions:

Model Number	A max	B max	C max	D $\pm .15$ $\pm .38$	E max
AMI-M11E-1-6	3.56"/90.4mm	2.15"/54.6mm	1.56"/39.6mm	2.938"/74.63mm	3.38"/85.8mm
AMI-M12D-1-10	4.69"/119.1mm	2.27"/57.7mm	1.8"/45.7mm	4.063"/103.2mm	4.47"/84.8mm
AMI-M11E-1-6-D-2	3.56"/90.4mm	2.15"/54.6mm	1.81"/45.9mm	2.938"/74.63mm	3.38"/85.8mm

## Typical Insertion Loss

According to CISPR17 in 50 Ω system

— Common Mode / Asymmetrical (L-G)  
 — Differential Mode / Symmetrical (L-L)

